



Chipsmall Limited consists of a professional team with an average of over 10 year of expertise in the distribution of electronic components. Based in Hongkong, we have already established firm and mutual-benefit business relationships with customers from,Europe,America and south Asia,supplying obsolete and hard-to-find components to meet their specific needs.

With the principle of “Quality Parts,Customers Priority,Honest Operation,and Considerate Service”,our business mainly focus on the distribution of electronic components. Line cards we deal with include Microchip,ALPS,ROHM,Xilinx,Pulse,ON,Everlight and Freescale. Main products comprise IC,Modules,Potentiometer,IC Socket,Relay,Connector.Our parts cover such applications as commercial,industrial, and automotives areas.

We are looking forward to setting up business relationship with you and hope to provide you with the best service and solution. Let us make a better world for our industry!



Contact us

Tel: +86-755-8981 8866 Fax: +86-755-8427 6832

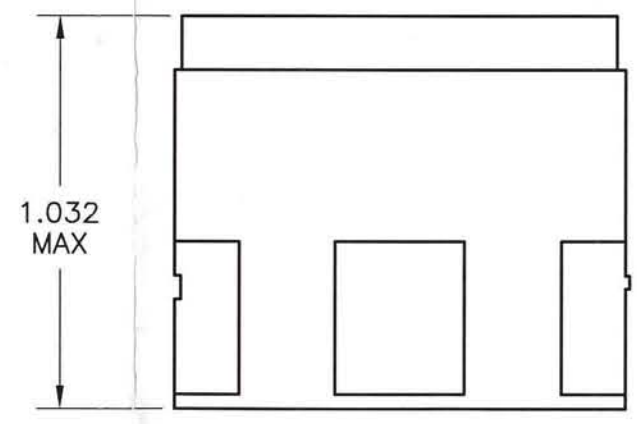
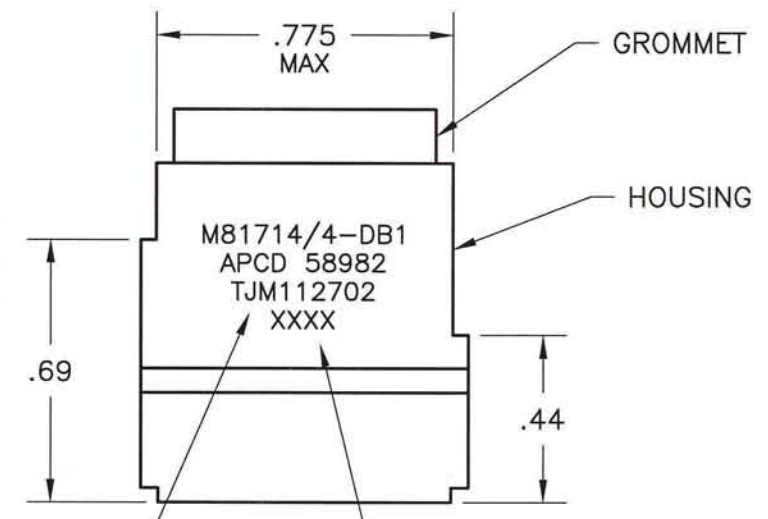
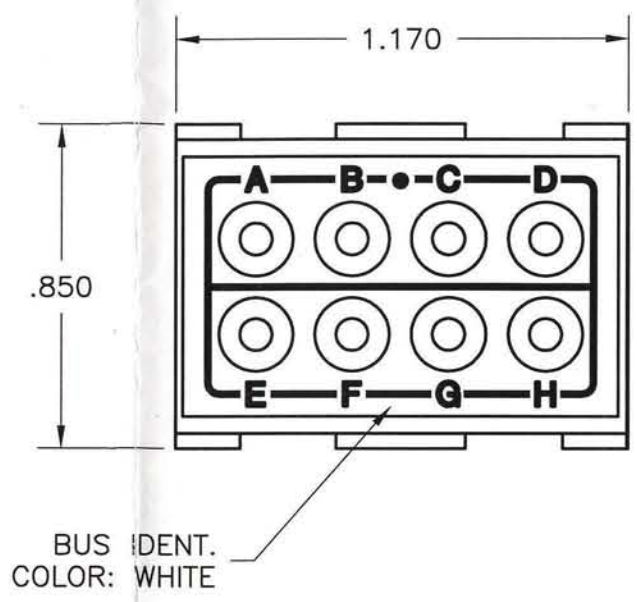
Email & Skype: info@chipsmall.com Web: www.chipsmall.com

Address: A1208, Overseas Decoration Building, #122 Zhenhua RD., Futian, Shenzhen, China



REV	ECN	APP'D
T	3232	JR 3/16/98
U	3305	JR 4/17/98
X	3309	JR 4/29/98
Y	-	
Z	5493	JT 8/2/04
AA	5510	JT 9/2/04

- NOTES:
- REQUIREMENTS:
 - MEETS PERFORMANCE AND ENVIRONMENTAL REQUIREMENTS OF MIL-T-81714/4 REV. F.
 - MODULES ARE TO BE MOUNTED INTO RACK ASSEMBLY M81714/5 OR /16 OR COMMERCIAL EQUIVALENT.
 - DIELECTRIC WITHSTANDING VOLTAGE: 1500VRMS, 2mA LEAKAGE, 25° C AT SEA LEVEL, CONTACT TO MOUNTING RACK.
 - OPERATING TEMPERATURE: -65 C TO 200° C.
 - MATERIALS:
 - HOUSING - POLYETHERIMIDE, COLOR: BLACK.
 - GROMMET - SILICONE ELASTOMER, COLOR: BLUE.
 - INTERNAL CONTACTS - COPPER ALLOY, GOLD PLATED
 - CONTACT RETAINERS - BERYLLIUM COPPER.
 - PIN CONTACT CRIMP AND INSTALLATION TOOLS ARE NOT INCLUDED. REQUIREMENTS BELOW ARE FOR REFERENCE ONLY.
 - PIN CONTACTS - SEE TABLE
 - CONTACT TOOLS -
 CRIMP TOOL: M22520/1-01
 POSITIONER: M22520/1-02, YELLOW
 INSERTION/REMOVAL: M81969/14-04.
 - INSPECT PARTS PER APPLICABLE INSPECTION PLAN, TJM1126XX OR TJM1127XX.



WHITE MARKING
 .062 HIGH
 (MARKING TYP BOTH P/N)

DATE CODE

PCD P/N	SUPPLIED	
	PIN CONTACT M39029/1-103	SEALING PLUG MS27488-12
TJM112602	NONE	NONE
TJM112702	NINE (9)	TWO (2)

DIMENSIONS ANSI Y14.5M UNITS: INCHES ACAD FILE	TOLERANCES .XX ± 01 .XXX ± .005 ANGLES ± 2°	PROJECTION 	Amphenol Pcd SPECIFICATION DRAWING		TITLE TERMINAL JUNCTION MODULE SZ-12 FEEDBACK, B1 BUS			
			ENGR A. PATRIE 8/8/95		SIZE B	DWG NO. TJM112602		REV AA
ORIGINAL 	THIS DOCUMENT CONTAINS PROPRIETARY INFORMATION WHICH IS THE CONFIDENTIAL PROPERTY OF AMPHENOL PCD INC. PEABODY, MA			APPD J. RUTKOWSKI 8/15/95		CODE: 58982	SCALE: 2X	SHEET 1 OF 1

TJM112602

TJM112602