



Chipsmall Limited consists of a professional team with an average of over 10 year of expertise in the distribution of electronic components. Based in Hongkong, we have already established firm and mutual-benefit business relationships with customers from,Europe,America and south Asia,supplying obsolete and hard-to-find components to meet their specific needs.

With the principle of “Quality Parts,Customers Priority,Honest Operation,and Considerate Service”,our business mainly focus on the distribution of electronic components. Line cards we deal with include Microchip,ALPS,ROHM,Xilinx,Pulse,ON,Everlight and Freescale. Main products comprise IC,Modules,Potentiometer,IC Socket,Relay,Connector.Our parts cover such applications as commercial,industrial, and automotives areas.

We are looking forward to setting up business relationship with you and hope to provide you with the best service and solution. Let us make a better world for our industry!



## Contact us

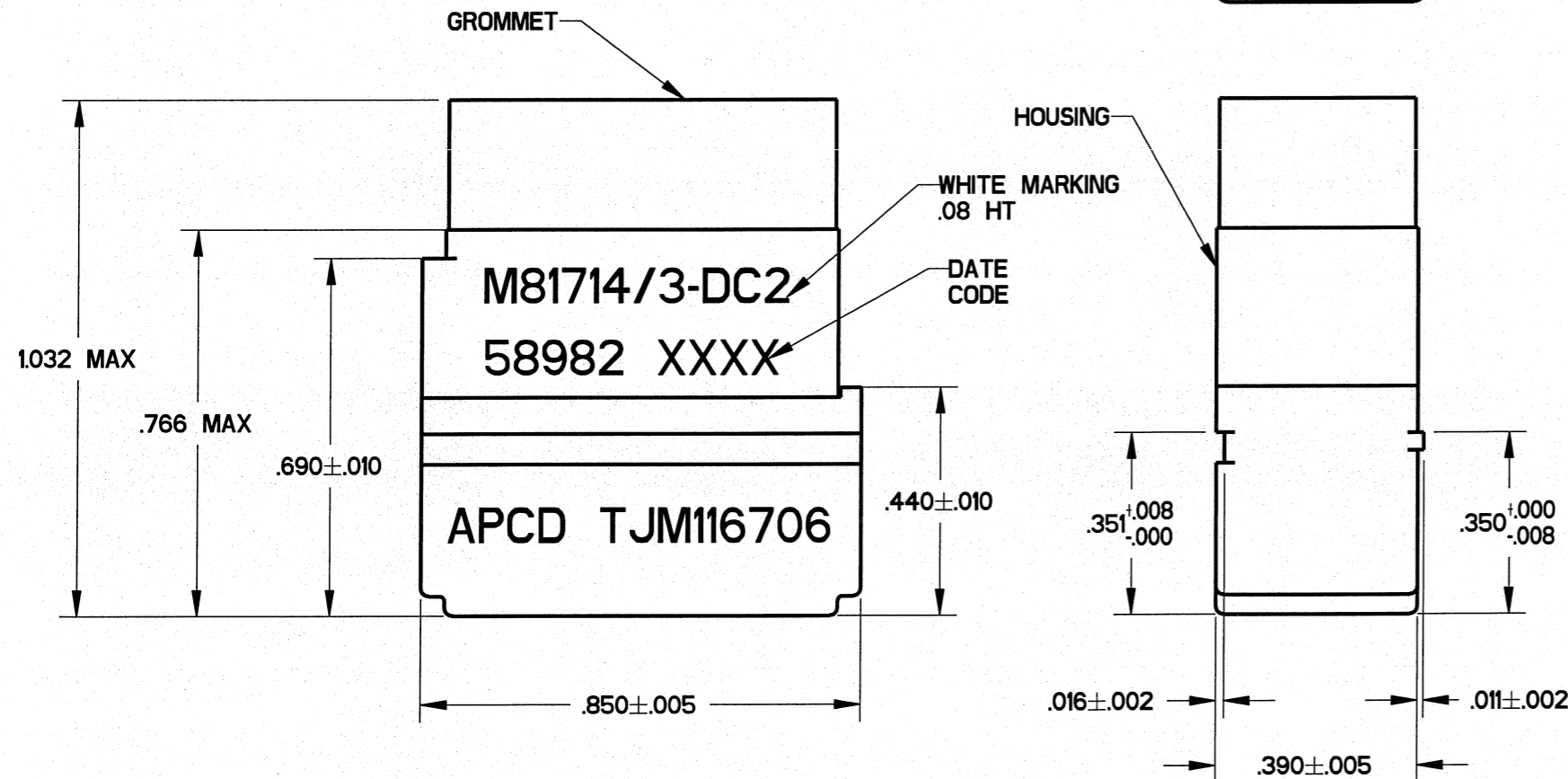
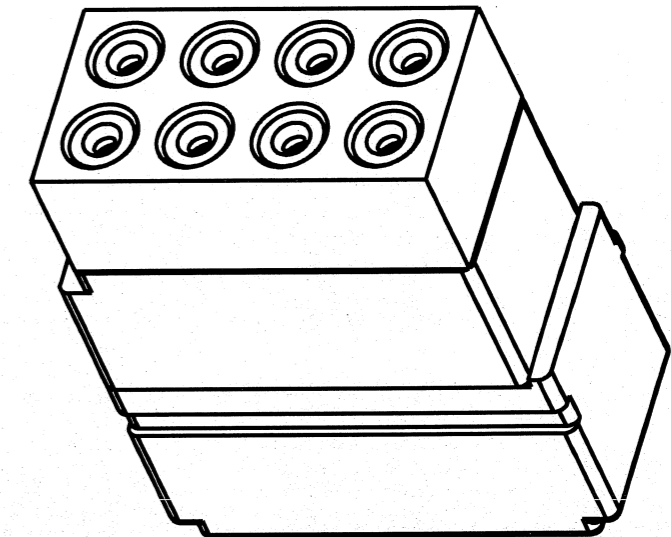
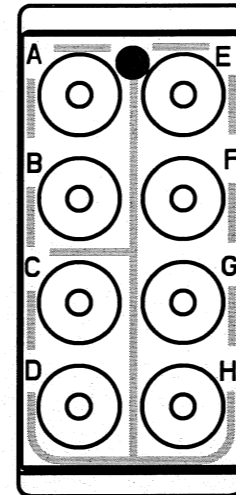
Tel: +86-755-8981 8866 Fax: +86-755-8427 6832

Email & Skype: info@chipsmall.com Web: www.chipsmall.com

Address: A1208, Overseas Decoration Building, #122 Zhenhua RD., Futian, Shenzhen, China



REV	ECN	APP'D
P	2451	JR 08/15/95
Q	5569	JT 1/4/05
R	5748	JT 12/2/05
S	6460	JT 1/5/10



NOTES

- PERFORMANCE:
  - A) MEETS PERFORMANCE AND ENVIRONMENTAL REQUIREMENTS OF SAE AS81714. MILITARY QUALIFIED
  - B) MODULES ARE TO BE MOUNTED INTO RACK ASSEMBLY M81714/5 OR /16 OR COMMERCIAL EQUIVALENT.
  - C) DIELECTRIC WITHSTANDING VOLTAGE: 1500 VRMS AT SEA LEVEL, 200 VRMS AT 100,000 FEET.
  - D) OPERATING TEMPERATURE: -65 °C TO 200 °C.
  - E) CURRENT RATING: 13 AMPS
- MATERIALS:
  - A) HOUSING - POLYETHERIMIDE, COLOR: BLACK.
  - B) GROMMET - SILICONE ELASTOMER, COLOR: BLUE.
  - C) INTERNAL CONTACTS - COPPER ALLOY, GOLD PLATED.
  - D) CONTACT RETAINERS - STAINLESS STEEL.

APCD P/N	SUPPLIED		MARKING	
	PINS	PLUGS	APCD QPL NO.	MIL NO.
TJM116606	----	----	TJM116706	M81714/3-DC2
TJM116706	9	2		

<b>DIMENSIONS</b> ANSI Y14.5M UNITS: INCHES Pro/E FILE	<b>TOLERANCES</b> .XX ±0.01 .XXX ±0.008 ANGLES ±10°	<b>PROJECTION</b> 	<b>Amphenol Pcd</b> SPECIFICATION DRAWING		<b>TITLE</b> TERMINAL JUNCTION MODULE SZ-16 FEEDBACK, C2 BUS		
			ENGR S. STONE 12/28/04	CHKD  1/5/2010 APPD  1/5/2010		SIZE <b>B</b>	DWG NO. <b>TJM116606</b>
ORIGINAL 	THIS DOCUMENT CONTAINS PROPRIETARY INFORMATION WHICH IS THE CONFIDENTIAL PROPERTY OF AMPHENOL PCD INC. BEVERLY, MA, USA			CODE: 58982	SHEET 1 OF 1		

TJM116606

TJM116606