



Chipsmall Limited consists of a professional team with an average of over 10 year of expertise in the distribution of electronic components. Based in Hongkong, we have already established firm and mutual-benefit business relationships with customers from,Europe,America and south Asia,supplying obsolete and hard-to-find components to meet their specific needs.

With the principle of "Quality Parts,Customers Priority,Honest Operation,and Considerate Service",our business mainly focus on the distribution of electronic components. Line cards we deal with include Microchip,ALPS,ROHM,Xilinx,Pulse,ON,Everlight and Freescale. Main products comprise IC,Modules,Potentiometer,IC Socket,Relay,Connector.Our parts cover such applications as commercial,industrial, and automotives areas.

We are looking forward to setting up business relationship with you and hope to provide you with the best service and solution. Let us make a better world for our industry!



## Contact us

Tel: +86-755-8981 8866 Fax: +86-755-8427 6832

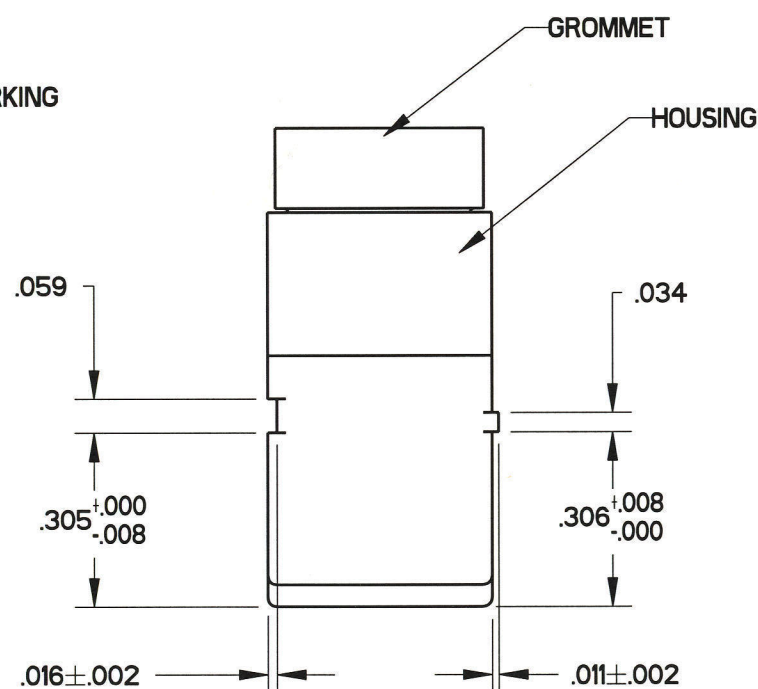
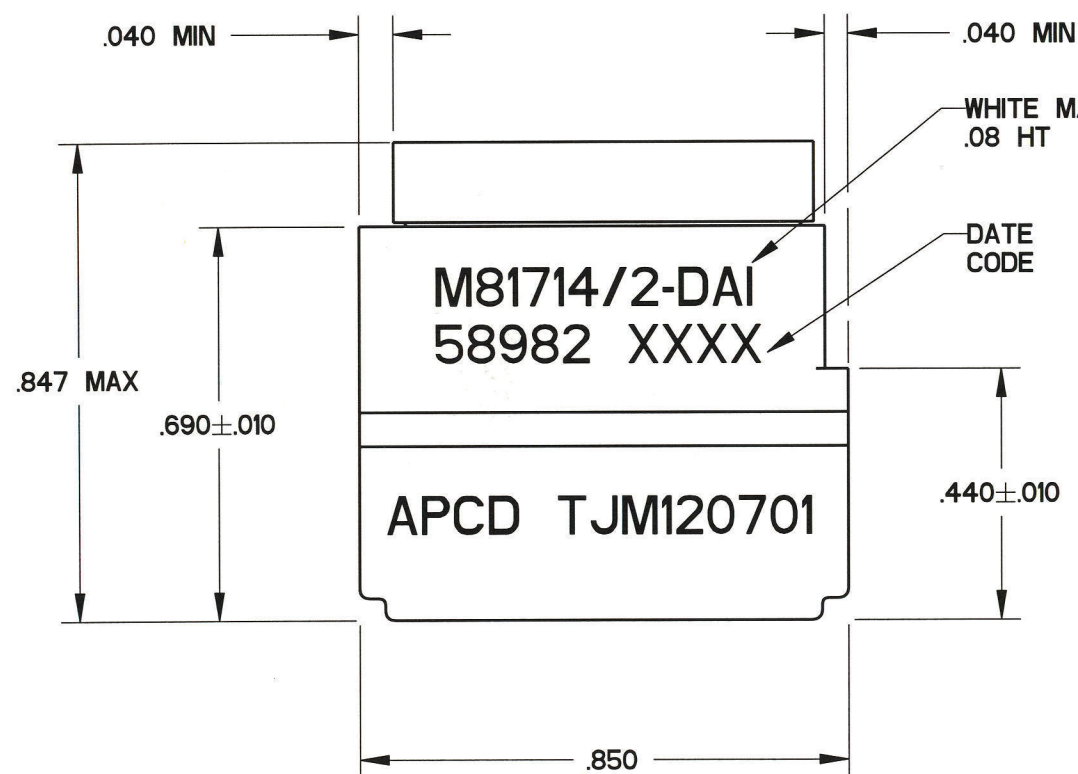
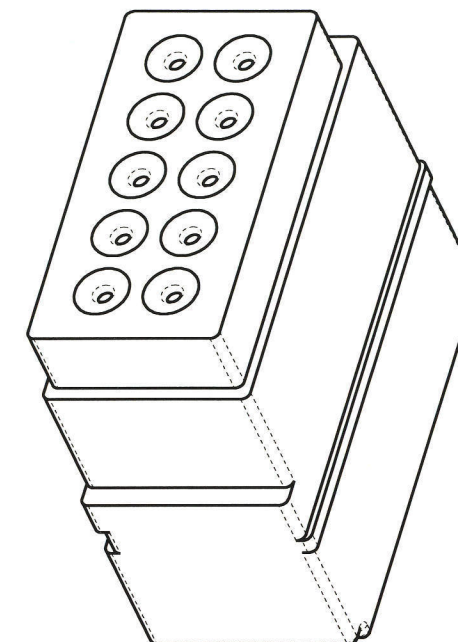
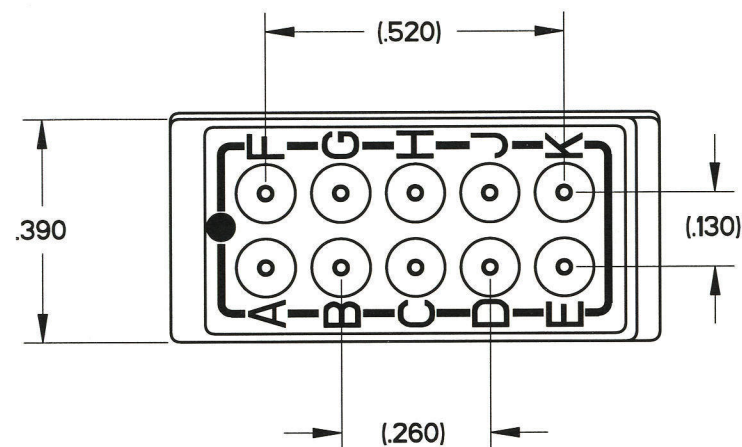
Email & Skype: info@chipsmall.com Web: www.chipsmall.com

Address: A1208, Overseas Decoration Building, #122 Zhenhua RD., Futian, Shenzhen, China



TJM120601

REV	ECN	APP'D
C	5814	JT 4-13-06



NOTES:

1. PERFORMANCE:

- A) MEETS PERFORMANCE AND ENVIRONMENTAL REQUIREMENTS OF MIL-T-81714/2
- B) MODULES ARE TO BE MOUNTED INTO RACK ASSEMBLY M81714/5 OR/16 OR COMMERCIAL EQUIVALENT.
- C) DIELECTRIC WITHSTANDING VOLTAGE: 1500 VRMS AT SEA LEVEL, 200 VRMS AT 100,000 FEET.
- D) OPERATING TEMPERATURE: -65 C TO 200 C.
- E) CURRENT RATING: 7.5 AMPS
- F) VIBRATION AND SHOCK: MIL-T-81714 PARAGRAPH 3.5.5 AND 3.5.8

2. MATERIALS:

- A) HOUSING - POLYETHERIMIDE, COLOR: BLACK.
- B) GROMMET - SILICONE ELASTOMER, COLOR: BLUE
- C) INTERNAL CONTACTS - COPPER ALLOY, GOLD PLATED
- D) CONTACT RETAINERS - STAINLESS STEEL.

APCD P/N	SUPPLIED				MARKING		CLASS
	PINS		PLUGS		APCD QPL NO.	MIL. NO	
	QTY.	MIL. P/N	APCD P/N	QTY.	APCD P/N		
TJM120601	--	--	--	--	--	TJM120701	M81714/2-DAI
TJM120701	11	M39029/H101	CNP006000	2	CNA032401		

<b>DIMENSIONS</b> ANSI Y14.5M UNITS: INCHES Pro/E FILE	<b>TOLERANCES</b> .XX ±0.01 .XXX ±0.005 ANGLES ±2.0°	<b>PROJECTION</b> 	<b>Amphenol Pcd</b> SPECIFICATION DRAWING		<b>TITLE</b> TERMINAL JUNCTION MODULE SZ 20 FEEDBACK DA1			
			DRWN A. SWEEZEY 03/09/06	ENGR R. SWAINE 03/01/06		SIZE <b>B</b>	DWG NO. <b>TJM120601</b>	REV <b>C</b>
ORIGINAL 	THIS DOCUMENT CONTAINS PROPRIETARY INFORMATION WHICH IS THE CONFIDENTIAL PROPERTY OF AMPHENOL PCD INC., PEABODY, MA			APPD <i>Jade tz 4-13-06</i>		CODE: 58982	SCALE: 3:1	SHEET 1 OF 1

TJM120601

TJM120601