



Chipsmall Limited consists of a professional team with an average of over 10 year of expertise in the distribution of electronic components. Based in Hongkong, we have already established firm and mutual-benefit business relationships with customers from,Europe,America and south Asia,supplying obsolete and hard-to-find components to meet their specific needs.

With the principle of “Quality Parts,Customers Priority,Honest Operation,and Considerate Service”,our business mainly focus on the distribution of electronic components. Line cards we deal with include Microchip,ALPS,ROHM,Xilinx,Pulse,ON,Everlight and Freescale. Main products comprise IC,Modules,Potentiometer,IC Socket,Relay,Connector.Our parts cover such applications as commercial,industrial, and automotives areas.

We are looking forward to setting up business relationship with you and hope to provide you with the best service and solution. Let us make a better world for our industry!



Contact us

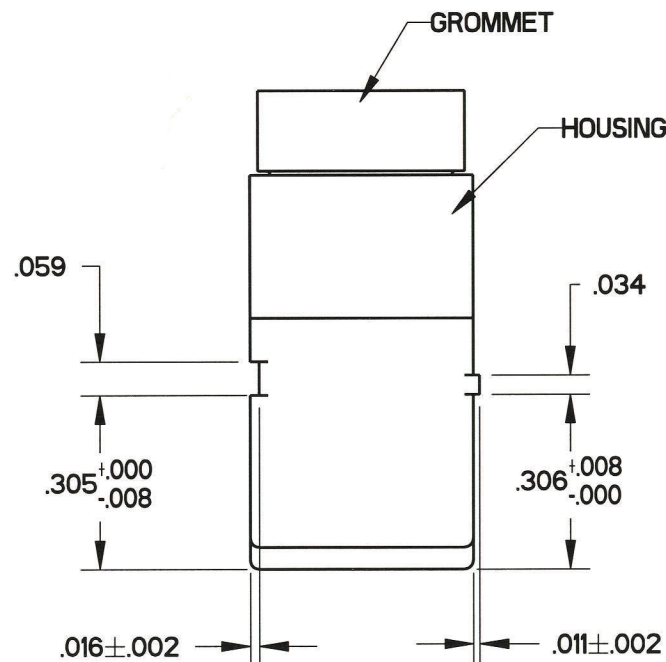
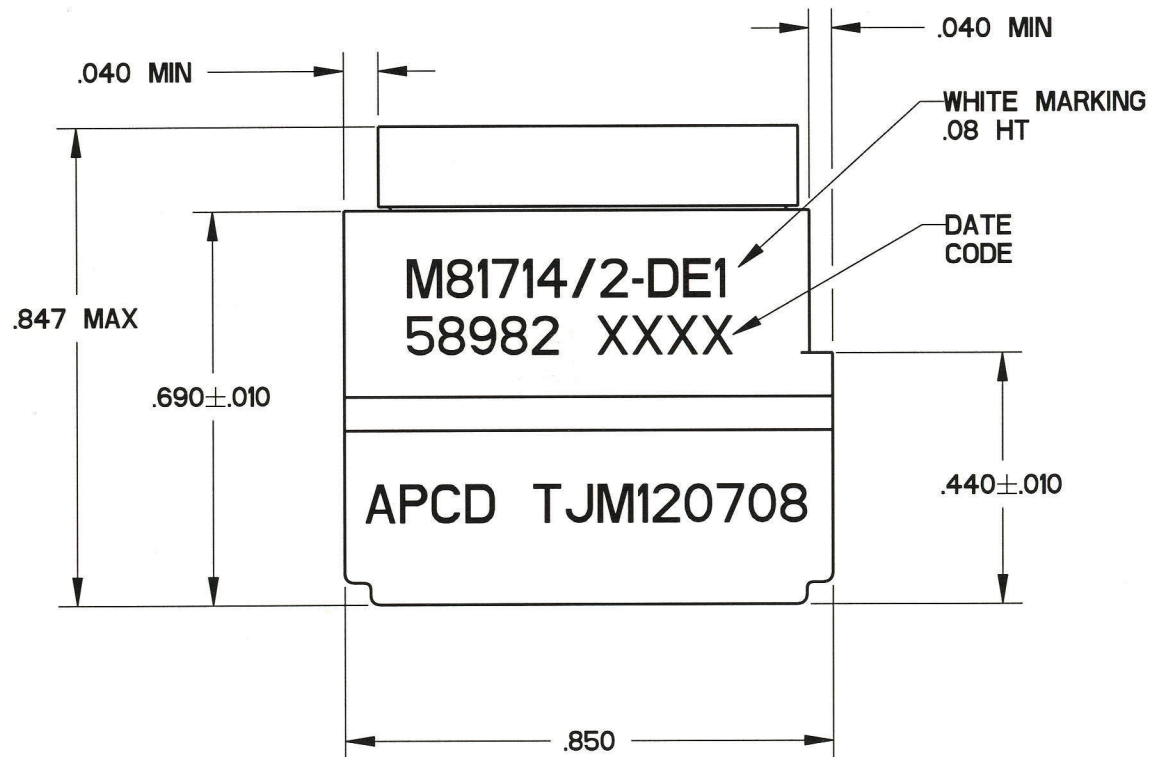
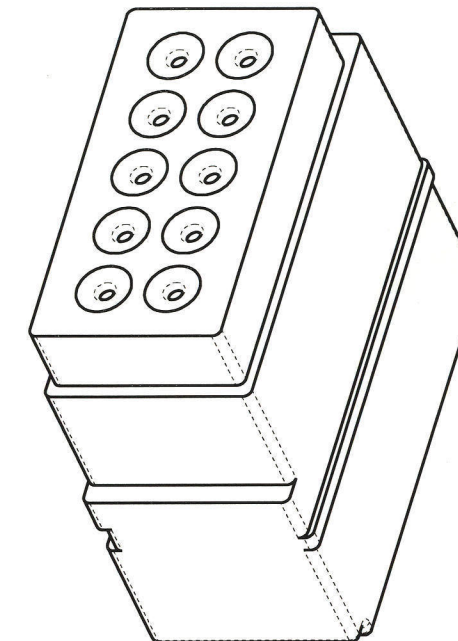
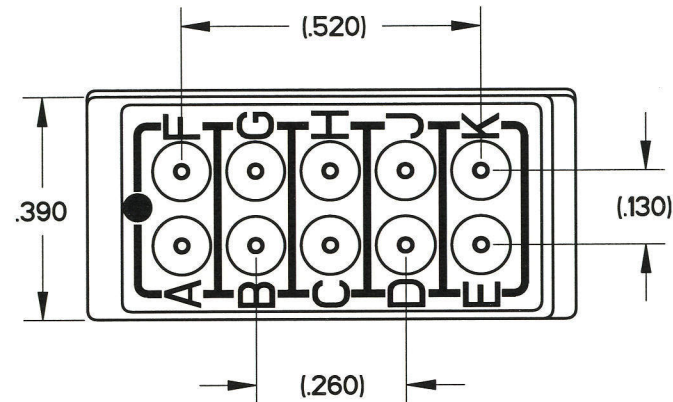
Tel: +86-755-8981 8866 Fax: +86-755-8427 6832

Email & Skype: info@chipsmall.com Web: www.chipsmall.com

Address: A1208, Overseas Decoration Building, #122 Zhenhua RD., Futian, Shenzhen, China



REV	ECN	APP'D
C	5814	<i>4-13-06</i>



- NOTES:
- PERFORMANCE:
 - A) MEETS PERFORMANCE AND ENVIRONMENTAL REQUIREMENTS OF MIL-T-81714/2
 - B) MODULES ARE TO BE MOUNTED INTO RACK ASSEMBLY M81714/5 OR/16 OR COMMERCIAL EQUIVALENT.
 - C) DIELECTRIC WITHSTANDING VOLTAGE: 1500 VRMS AT SEA LEVEL, 200 VRMS AT 100,000 FEET.
 - D) OPERATING TEMPERATURE: -65 C TO 200 C.
 - E) CURENT RATING: 7.5 AMPS
 - F) VIBRATION AND SHOCK: MIL-T-81714 PARAGRAPH 3.5.5 AND 3.5.8
 - MATERIALS:
 - A) HOUSING - POLYETHERIMIDE, COLOR: BLACK.
 - B) GROMMET - SILICONE ELASTOMER, COLOR: BLUE
 - C) INTERNAL CONTACTS - COPPER ALLOY, GOLD PLATED
 - D) CONTACT RETAINERS - STAINLESS STEEL.

APCD P/N	SUPPLIED				MARKING		CLASS
	PINS		PLUGS		APCD QPL NO.	MIL. NO	
	QTY.	MIL. P/N	APCD P/N	QTY.	APCD P/N		
TJM120608	--	--	--	--	--	TJM120708	M81714/2-DE1
TJM120708	11	M39029/H-101	CNP006000	2	CNA032401		

DIMENSIONS ANSI Y14.5M UNITS: INCHES Pro/E FILE	TOLERANCES .XX ±0.01 .XXX ±0.005 ANGLES ±2.0°	PROJECTION 	Amphenol Pcd SPECIFICATION DRAWING		TITLE TERMINAL JUNCTION MODULE SZ 20 FEEDBACK, DE1			
			DRWN A. SWEEZEY 03/09/06	SIZE B DWG NO. TJM120608		REV C		
ORIGINAL	THIS DOCUMENT CONTAINS PROPRIETARY INFORMATION WHICH IS THE CONFIDENTIAL PROPERTY OF AMPHENOL PCD INC., PEABODY, MA		ENGR R. SWAINE 03/01/06	APPD <i>David Tan 4-13-06</i>		CODE: 58982	SCALE: 3:1	SHEET 1 OF 1

TJM120608

TJM120608