



Chipsmall Limited consists of a professional team with an average of over 10 year of expertise in the distribution of electronic components. Based in Hongkong, we have already established firm and mutual-benefit business relationships with customers from,Europe,America and south Asia,supplying obsolete and hard-to-find components to meet their specific needs.

With the principle of “Quality Parts,Customers Priority,Honest Operation,and Considerate Service”,our business mainly focus on the distribution of electronic components. Line cards we deal with include Microchip,ALPS,ROHM,Xilinx,Pulse,ON,Everlight and Freescale. Main products comprise IC,Modules,Potentiometer,IC Socket,Relay,Connector.Our parts cover such applications as commercial,industrial, and automotives areas.

We are looking forward to setting up business relationship with you and hope to provide you with the best service and solution. Let us make a better world for our industry!



Contact us

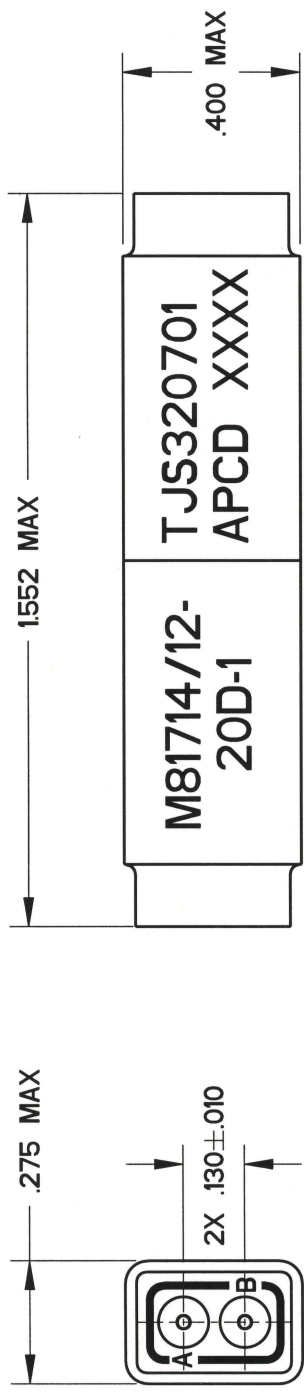
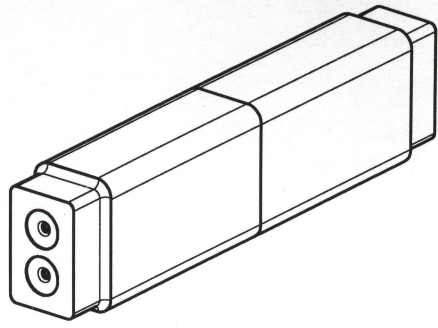
Tel: +86-755-8981 8866 Fax: +86-755-8427 6832

Email & Skype: info@chipsmall.com Web: www.chipsmall.com

Address: A1208, Overseas Decoration Building, #122 Zhenhua RD., Futian, Shenzhen, China



REV	ECN	APP'D
-	5882	<i>RT 7/14/06</i>



M81714/12-20D-1
 TJS320701
 APCD XXXX

- NOTES:
- PART MEETS ALL REQUIREMENTS OF MIL-T-81714/12
 - MATERIALS:
 GROMMET - SILICONE RUBBER, COLOR: BLUE
 INSULATOR - THERMOPLASTIC
 INTERNAL CONTACT - COPPER ALLOY
 CONTACT RETAINER CLIPS - STAINLESS STEEL ALLOY
 - MODULE ACCEPTS M39029/1-101 PIN CONTACTS, SEE TABLE.

PART NO.	DESCRIPTION	P/N MARKING
TJS320601	CONTACTS NOT SUPPLIED	TJS320701
TJS320701	FIVE (5) CNP006000 INCLUDED	

TITLE
 TERMINAL JUNCTION SPLICE
 DOUBLE BUSSED, SIZE 20

SIZE
 A

DWG NO.
 TJS320601_C

CODE: 58982	SCALE: 8:3	SHEET 1 OF 1
-------------	------------	--------------

Amphenol Pcd
 SPECIFICATION DRAWING

DRWN
 R. SWAINE 06/29/06

ENGR
R. Swaine 7/13/06

APPD
R. Swaine 7/18/06

PROJECTION

TOLERANCES
 .XX ±0.01
 .XXX ±0.005
 ANGLES ±0.5°

THIS DOCUMENT CONTAINS PROPRIETARY INFORMATION WHICH IS THE CONFIDENTIAL PROPERTY OF AMPHENOL PCD INC., PEABODY, MA

