



Chipsmall Limited consists of a professional team with an average of over 10 year of expertise in the distribution of electronic components. Based in Hongkong, we have already established firm and mutual-benefit business relationships with customers from,Europe,America and south Asia,supplying obsolete and hard-to-find components to meet their specific needs.

With the principle of “Quality Parts,Customers Priority,Honest Operation,and Considerate Service”,our business mainly focus on the distribution of electronic components. Line cards we deal with include Microchip,ALPS,ROHM,Xilinx,Pulse,ON,Everlight and Freescale. Main products comprise IC,Modules,Potentiometer,IC Socket,Relay,Connector.Our parts cover such applications as commercial,industrial, and automotives areas.

We are looking forward to setting up business relationship with you and hope to provide you with the best service and solution. Let us make a better world for our industry!



## Contact us

Tel: +86-755-8981 8866 Fax: +86-755-8427 6832

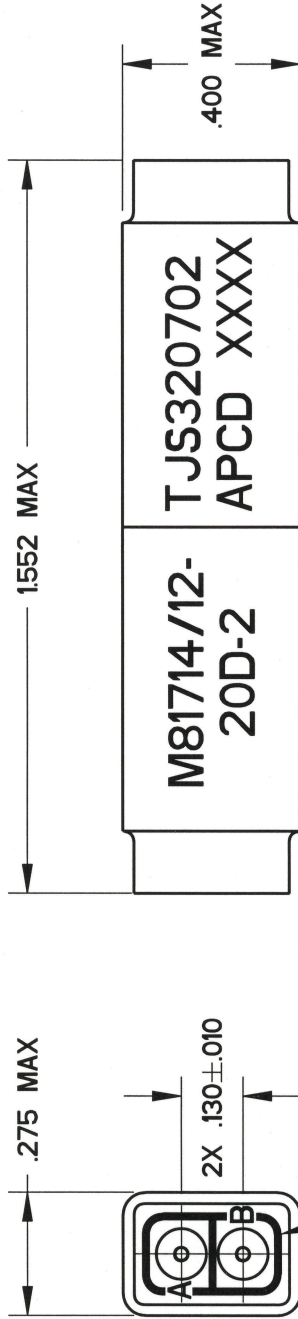
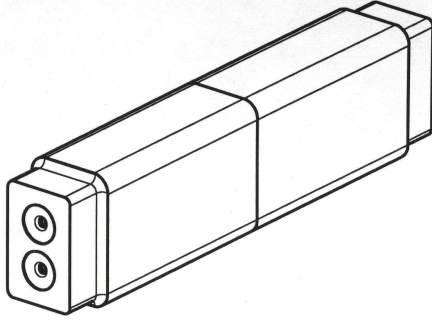
Email & Skype: info@chipsmall.com Web: www.chipsmall.com

Address: A1208, Overseas Decoration Building, #122 Zhenhua RD., Futian, Shenzhen, China





REV	ECN	APP'D
-	5882	7/18/06



- NOTES:
- PART MEETS ALL REQUIREMENTS OF MIL-T-81714/12
  - MATERIALS:  
GROMMET - SILICONE RUBBER, COLOR: BLUE  
INSULATOR - THERMOPLASTIC  
INTERNAL CONTACT - COPPER ALLOY  
CONTACT RETAINER CLIPS - STAINLESS STEEL ALLOY
  - MODULE ACCEPTS M39029/1-101 PIN CONTACTS, SEE TABLE.

PART NO.	DESCRIPTION	P/N MARKING
TJS320602	CONTACTS NOT SUPPLIED	TJS320702
TJS320702	FIVE (5) CNP006000 INCLUDED	

TITLE	
TERMINAL JUNCTION SPLICE DOUBLE UNBUSSED, SIZE 20	

SIZE	DWG NO.
A	TJS320602_C
CODE:	SCALE:
58982	8:3
SHEET	OF
1	1

Amphenol Pcd SPECIFICATION DRAWING	
DRWN	R. SWAINE 07/06/06
ENGR	<i>R. Swaine</i> 7/13/06
APPD	<i>Swaine</i> 7/18/06

DIMENSIONS	TOLERANCES	PROJECTION	THIS DOCUMENT CONTAINS PROPRIETARY INFORMATION WHICH IS THE CONFIDENTIAL PROPERTY OF AMPHENOL PCD INC., PEABODY, MA
ANSI Y14.5M	.XX ±0.01		
UNITS: INCHES	.XXX ±0.005		
Pro/E FILE	ANGLES ±0.5°		