



Chipsmall Limited consists of a professional team with an average of over 10 year of expertise in the distribution of electronic components. Based in Hongkong, we have already established firm and mutual-benefit business relationships with customers from,Europe,America and south Asia,supplying obsolete and hard-to-find components to meet their specific needs.

With the principle of “Quality Parts,Customers Priority,Honest Operation,and Considerate Service”,our business mainly focus on the distribution of electronic components. Line cards we deal with include Microchip,ALPS,ROHM,Xilinx,Pulse,ON,Everlight and Freescale. Main products comprise IC,Modules,Potentiometer,IC Socket,Relay,Connector.Our parts cover such applications as commercial,industrial, and automotives areas.

We are looking forward to setting up business relationship with you and hope to provide you with the best service and solution. Let us make a better world for our industry!



Contact us

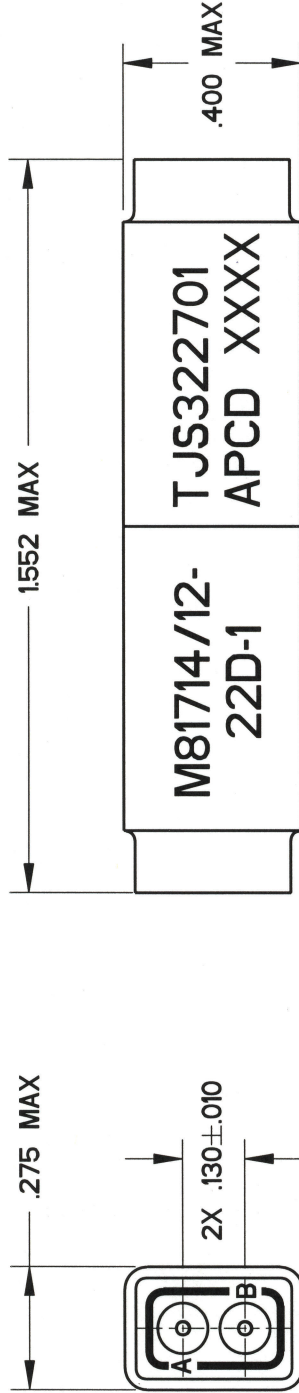
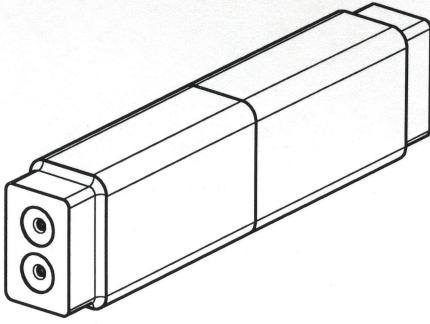
Tel: +86-755-8981 8866 Fax: +86-755-8427 6832

Email & Skype: info@chipsmall.com Web: www.chipsmall.com

Address: A1208, Overseas Decoration Building, #122 Zhenhua RD., Futian, Shenzhen, China



REV	ECN	APP'D
-	5882	<i>R. Swaine</i>



- NOTES:
- PART MEETS ALL REQUIREMENTS OF MIL-T-81714/12
 - MATERIALS:
GROMMET - SILICONE RUBBER, COLOR: BLUE
INSULATOR - THERMOPLASTIC
INTERNAL CONTACT - COPPER ALLOY
CONTACT RETAINER CLIPS - STAINLESS STEEL ALLOY
 - MODULE ACCEPTS M39029/1-100 PIN CONTACTS, SEE TABLE.

PART NO.	DESCRIPTION	P/N MARKING
TJS322601	CONTACTS NOT SUPPLIED	TJS322701
TJS322701	FIVE (5) CNP068000 INCLUDED	

TITLE		TERMINAL JUNCTION SPLICE DOUBLE BUSSED, SIZE 22
SIZE	DWG NO.	REV
A	TJS322601_C	-
CODE:	58982	SCALE: 8:3
		SHEET 1 OF 1

Amphenol Pcd

SPECIFICATION DRAWING

DRWN

R. SWAINE

06/29/06

ENGR

R. Swaine 7/13/06

Jade R 7/18/06

TOLERANCES

.XX ±0.01
.XXX ±0.005
ANGLES ±0.5°

PROJECTIONS



THIS DOCUMENT CONTAINS
PROPRIETARY INFORMATION WHICH
IS THE CONFIDENTIAL PROPERTY
OF AMPHENOL PCD INC., PEABODY, MA

