



Chipsmall Limited consists of a professional team with an average of over 10 year of expertise in the distribution of electronic components. Based in Hongkong, we have already established firm and mutual-benefit business relationships with customers from,Europe,America and south Asia,supplying obsolete and hard-to-find components to meet their specific needs.

With the principle of “Quality Parts,Customers Priority,Honest Operation,and Considerate Service”,our business mainly focus on the distribution of electronic components. Line cards we deal with include Microchip,ALPS,ROHM,Xilinx,Pulse,ON,Everlight and Freescale. Main products comprise IC,Modules,Potentiometer,IC Socket,Relay,Connector.Our parts cover such applications as commercial,industrial, and automotives areas.

We are looking forward to setting up business relationship with you and hope to provide you with the best service and solution. Let us make a better world for our industry!



Contact us

Tel: +86-755-8981 8866 Fax: +86-755-8427 6832

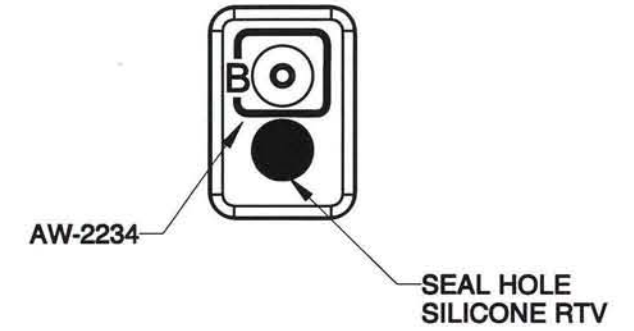
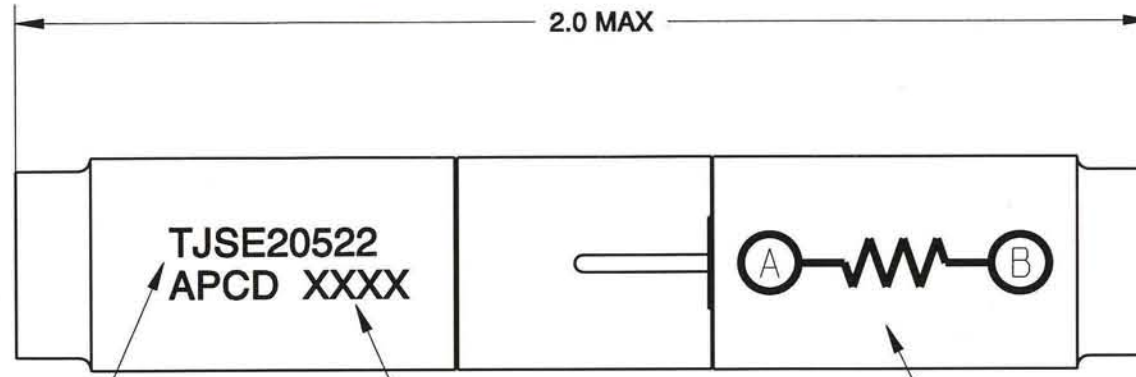
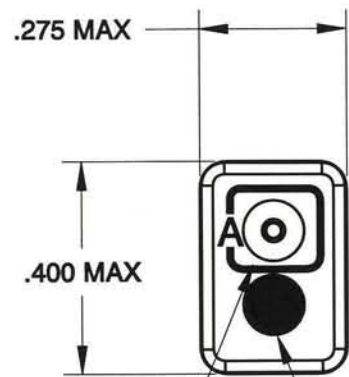
Email & Skype: info@chipsmall.com Web: www.chipsmall.com

Address: A1208, Overseas Decoration Building, #122 Zhenhua RD., Futian, Shenzhen, China



TJSE20522

REV	ECN	DESCRIPTION	APP'D
-	5831	RELEASE	<i>TT 3-22-06</i>

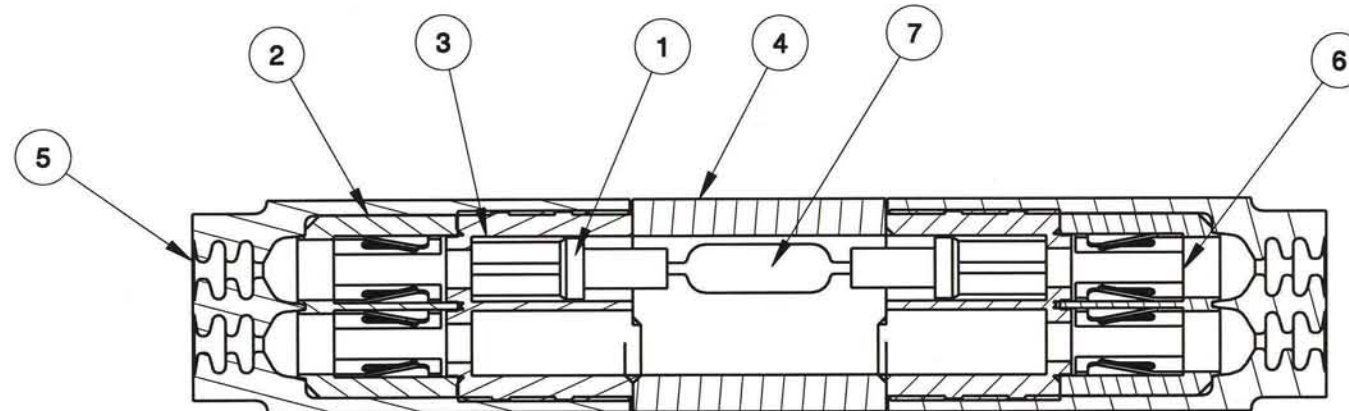


AW-2216
SEAL HOLE
SILICONE RTV

WHITE MARKING
.06 HT

DATE CODE

AW-2341



SECTION A-A

NOTES:

- MATERIALS:
HOUSING: POLYETHERIMIDE, COLOR BLACK
GROMMET: SILICONE ELASTOMER, COLOR BLUE
INTERNAL CONTACT: COPPER ALLOY, GOLD PLATED,
PER MIL-G-45204, TYPE I, GRADE C, CLASS I.
CONTACT RETAINER: STAINLESS STEEL
- SPLICE ACCEPTS (2) MATING M39029/1-101 CONTACTS (NOT INCLUDED)
- PART COMPLIES TO ALL REQUIREMENTS PER MIL-T-81714.
- RESISTOR: 2K Ω , 1W

ID	PART #	DESCRIPTION	QTY
1	210210000	CONTACT TJE SZ 16/20	2
2	220019200	END CAP SIZE 22/20 DOUBLE SPLICE	2
3	220019400	MIDDLE HOUSING SIZE 22/20 DOUBLE SPLICE	2
4	220019410	MIDDLE HOUSING SIZE 20/22 TJSE BUSSED	1
5	270005401	GROMMET TJS SIZE 20/22 DOUBLE	2
6	310000101	CONTACT RETAINER, SIZE 20	4
7	320001520	RESISTOR, 2K OHM, 1W, G0012K000FS7080	1

DIMENSIONS	TOLERANCES	PROJECTION	Amphenol Pcd	
ANSI Y14.5M UNITS: INCHES Pro/E FILE	.XX ± 0.01 .XXX ± 0.005 ANGLES $\pm 2.0^\circ$		ENGR D. LANG	03/21/06
ORIGINAL NOT FOR CUSTOMER DISTRIBUTION	THIS DOCUMENT CONTAINS PROPRIETARY INFORMATION WHICH IS THE CONFIDENTIAL PROPERTY OF AMPHENOL PCD INC., PEABODY, MA		CHKD	
			APPD	<i>Frank TC 3/24/06</i>

TITLE			
WIRE SPLICE, ELECTRONIC RESISTOR, 2K Ω , 1/4W SIZE 20			
SIZE B	DWG NO. TJSE20522	REV -	
CODE: 58982	SCALE: 3:1	SHEET 1 OF 1	

TJSE20522

TJSE20522