



Chipsmall Limited consists of a professional team with an average of over 10 year of expertise in the distribution of electronic components. Based in Hongkong, we have already established firm and mutual-benefit business relationships with customers from,Europe,America and south Asia,supplying obsolete and hard-to-find components to meet their specific needs.

With the principle of "Quality Parts,Customers Priority,Honest Operation,and Considerate Service",our business mainly focus on the distribution of electronic components. Line cards we deal with include Microchip,ALPS,ROHM,Xilinx,Pulse,ON,Everlight and Freescale. Main products comprise IC,Modules,Potentiometer,IC Socket,Relay,Connector.Our parts cover such applications as commercial,industrial, and automotives areas.

We are looking forward to setting up business relationship with you and hope to provide you with the best service and solution. Let us make a better world for our industry!



## Contact us

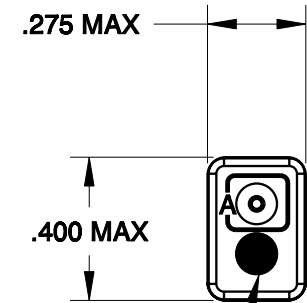
Tel: +86-755-8981 8866 Fax: +86-755-8427 6832

Email & Skype: info@chipsmall.com Web: www.chipsmall.com

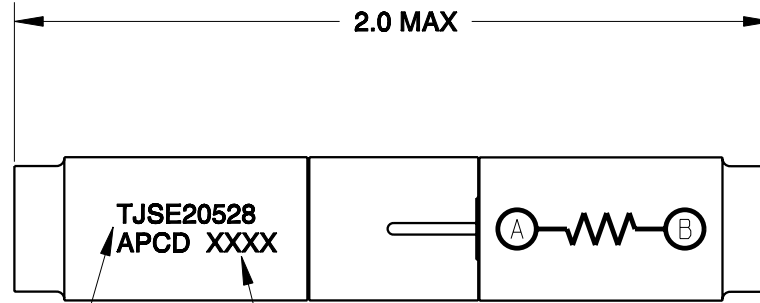
Address: A1208, Overseas Decoration Building, #122 Zhenhua RD., Futian, Shenzhen, China



| REV | ECN | APP'D |
|-----|-----|-------|
| 1   |     |       |

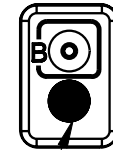


SEAL HOLE  
SILICONE RTV



WHITE MARKING  
.06 HT

DATE CODE



SEAL HOLE  
SILICONE RTV

**NOTES:**

- MATERIALS:**  
 HOUSING: POLYETHERIMIDE, COLOR BLACK  
 GROMMET: SILICONE ELASTOMER, COLOR BLUE  
 INTERNAL CONTACT: COPPER ALLOY, GOLD PLATED,  
 PER MIL-G-45204, TYPE I, GRADE C, CLASS I.  
 CONTACT RETAINER: STAINLESS STEEL
- SPLICE ACCEPTS (2) MATING M39029/1-101 CONTACTS (NOT INCLUDED)
- PART COMPLIES TO ALL REQUIREMENTS PER MIL-T-81714.
- RESISTOR:  $2K \Omega$ , 1/4W

|  |   |                       |  |             |  |                  |                             |
|--|---|-----------------------|--|-------------|--|------------------|-----------------------------|
| <b>DIMENSIONS</b><br>ANSI Y14.5M<br>UNITS: INCHES<br>Pro/E FILE  | <b>TOLERANCES</b><br>.XX $\pm 0.01$<br>.XXX $\pm 0.005$<br>ANGLES $\pm 2.0^\circ$ | <b>PROJECTION</b><br> | <h1>Amphenol Pcd</h1> <p>SPECIFICATION DRAWING</p> |             | <b>TITLE</b><br>WIRE SPLICE, ELECTRONIC<br>RESISTOR, $2K \Omega$ , 1/4W<br>SIZE 20 |                  |                             |
|  |   |                       | ENGR<br>D. LANG      03/24/06                      |             |  | SIZE<br><b>A</b> | DWG NO.<br><b>TJSE20528</b> |
| THIS DOCUMENT CONTAINS<br>PROPRIETARY INFORMATION WHICH<br>IS THE CONFIDENTIAL PROPERTY<br>OF AMPHENOL PCD INC., PEABODY, MA |   |                       | CHKD   | CODE: 58982 |  | SCALE: 2:1       | SHEET 1 OF 1                |
|  |   |                       | APPD   |             |  |                  |                             |