



Chipsmall Limited consists of a professional team with an average of over 10 year of expertise in the distribution of electronic components. Based in Hongkong, we have already established firm and mutual-benefit business relationships with customers from,Europe,America and south Asia,supplying obsolete and hard-to-find components to meet their specific needs.

With the principle of “Quality Parts,Customers Priority,Honest Operation,and Considerate Service”,our business mainly focus on the distribution of electronic components. Line cards we deal with include Microchip,ALPS,ROHM,Xilinx,Pulse,ON,Everlight and Freescale. Main products comprise IC,Modules,Potentiometer,IC Socket,Relay,Connector.Our parts cover such applications as commercial,industrial, and automotives areas.

We are looking forward to setting up business relationship with you and hope to provide you with the best service and solution. Let us make a better world for our industry!



## Contact us

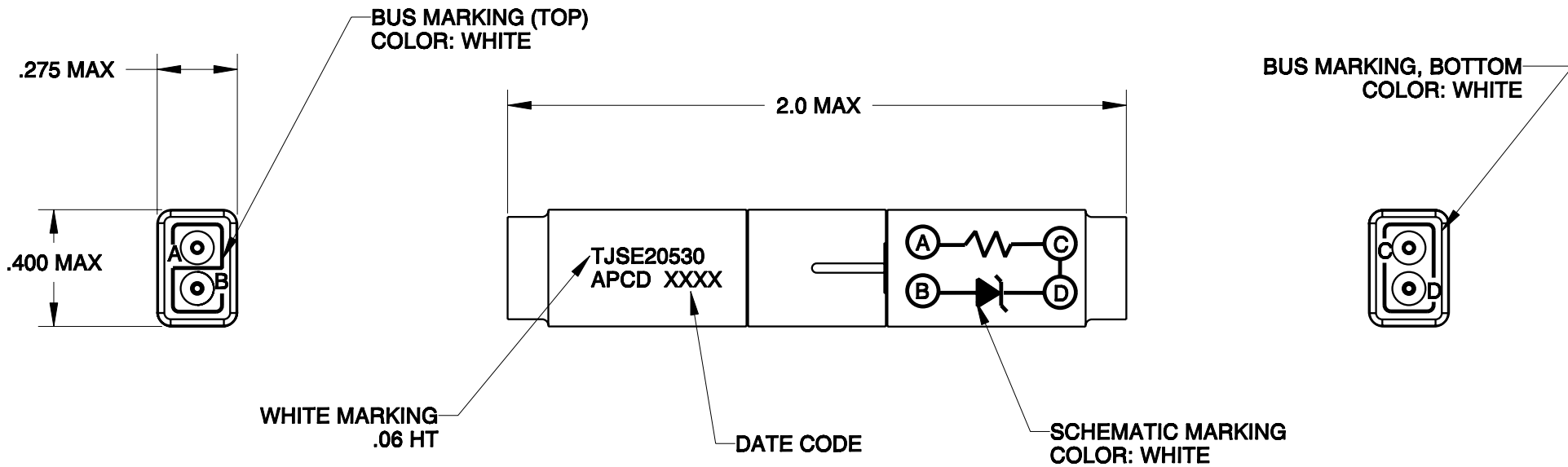
Tel: +86-755-8981 8866 Fax: +86-755-8427 6832

Email & Skype: info@chipsmall.com Web: www.chipsmall.com

Address: A1208, Overseas Decoration Building, #122 Zhenhua RD., Futian, Shenzhen, China



REV	ECN	APP'D
1		



- NOTES:**
- MATERIALS:**  
 HOUSING: POLYETHERIMIDE, COLOR BLACK  
 GROMMET: SILICONE ELASTOMER, COLOR BLUE  
 INTERNAL CONTACT: COPPER ALLOY, GOLD PLATED,  
 PER MIL-G-45204, TYPE I, GRADE C, CLASS I.  
 CONTACT RETAINER: STAINLESS STEEL  
 RESISTOR: RW81U1001FB12 (1 KΩ, 1W)  
 DIODE: 1N5244-D (14V ZENER DIODE, 1/2W)
  - SPLICE ACCEPTS (2) MATING M39029/1-101 CONTACTS (NOT INCLUDED.)
  - PART COMPLIES TO ALL REQUIREMENTS PER MIL-T-81714.

<b>DIMENSIONS</b> ANSI Y14.5M UNITS: INCHES Pro/E FILE	<b>TOLERANCES</b> .XX ±0.01 .XXX ±0.005 ANGLES ±2.0°	<b>PROJECTION</b> 	<h1>Amphenol Pcd</h1> <p>SPECIFICATION DRAWING</p>		<b>WIRE SPLICE, SIZE 20/22</b> <b>1 KΩ, 1W</b> <b>14V ZENER DIODE</b>		
			DRWN D. LANG      06/22/06	TITLE	SIZE <b>A</b>	DWG NO. <b>TJSE20530</b>	REV <b>1</b>
THIS DOCUMENT CONTAINS PROPRIETARY INFORMATION WHICH IS THE CONFIDENTIAL PROPERTY OF AMPHENOL PCD INC., PEABODY, MA			ENGR	CODE: 58982	SCALE: 2:1	SHEET 1 OF 1	
			APPD				