



Chipsmall Limited consists of a professional team with an average of over 10 year of expertise in the distribution of electronic components. Based in Hongkong, we have already established firm and mutual-benefit business relationships with customers from,Europe,America and south Asia,supplying obsolete and hard-to-find components to meet their specific needs.

With the principle of “Quality Parts,Customers Priority,Honest Operation,and Considerate Service”,our business mainly focus on the distribution of electronic components. Line cards we deal with include Microchip,ALPS,ROHM,Xilinx,Pulse,ON,Everlight and Freescale. Main products comprise IC,Modules,Potentiometer,IC Socket,Relay,Connector.Our parts cover such applications as commercial,industrial, and automotives areas.

We are looking forward to setting up business relationship with you and hope to provide you with the best service and solution. Let us make a better world for our industry!



Contact us

Tel: +86-755-8981 8866 Fax: +86-755-8427 6832

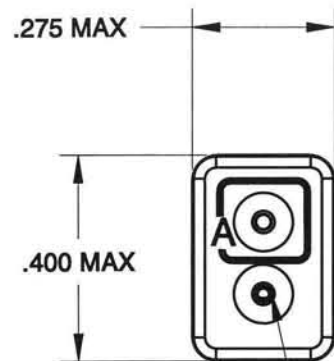
Email & Skype: info@chipsmall.com Web: www.chipsmall.com

Address: A1208, Overseas Decoration Building, #122 Zhenhua RD., Futian, Shenzhen, China

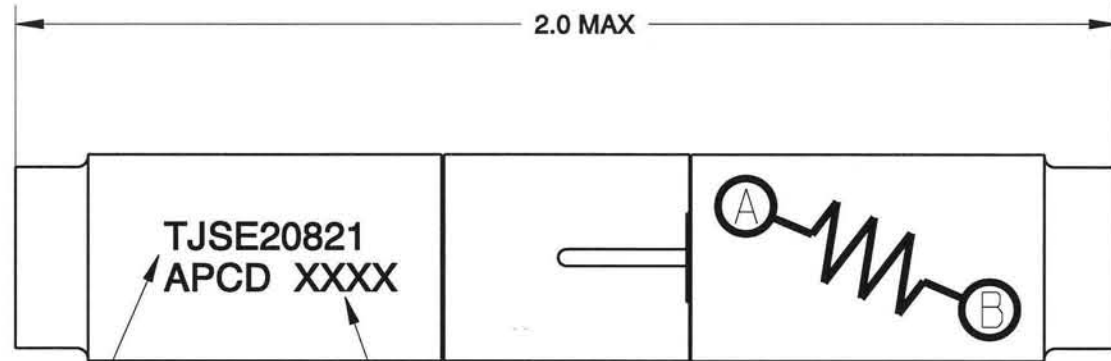


TJSE20821

REV	ECN	APP'D
1		

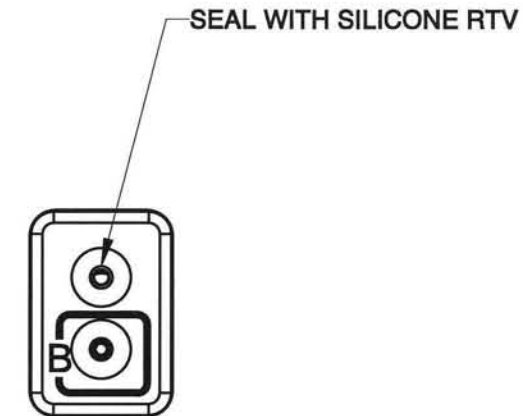


SEAL WITH SILICONE RTV



WHITE MARKING
.06 HT

DATE CODE



TJSE20821

TJSE20821

- NOTES:
- MATERIALS:
HOUSING: POLYETHERIMIDE, COLOR BLACK
GROMMET: SILICONE ELASTOMER, COLOR BLUE
INTERNAL CONTACT: COPPER ALLOY, GOLD PLATED,
PER MIL-G-45204, TYPE I, GRADE C, CLASS I.
CONTACT RETAINER: STAINLESS STEEL
 - SPLICE ACCEPTS (2) MATING M39029/1-101 CONTACTS (NOT INCLUDED)
 - PART COMPLIES TO ALL REQUIREMENTS PER MIL-T-81714.
 - RESISTOR: MIIL-PRF-39017, $1M\Omega$, $1/4W \pm 1\%$

DIMENSIONS ANSI Y14.5M UNITS: INCHES Pro/E FILE	TOLERANCES .XX ± 0.01 .XXX ± 0.005 ANGLES $\pm 2.0^\circ$	PROJECTION 	Amphenol Pcd SPECIFICATION DRAWING		TITLE WIRE SPLICE, ELECTRONIC RESISTOR, $1M\Omega$, $1/4W$ SIZE 20		
			DRWN D. LANG 05/08/06	SIZE B DWG NO. TJSE20821		ENGR	REV 1
ORIGINAL 	THIS DOCUMENT CONTAINS PROPRIETARY INFORMATION WHICH IS THE CONFIDENTIAL PROPERTY OF AMPHENOL PCD INC., PEABODY, MA		APPD	CODE: 58982	SCALE: 3:1	SHEET 1 OF 1	