



Chipsmall Limited consists of a professional team with an average of over 10 year of expertise in the distribution of electronic components. Based in Hongkong, we have already established firm and mutual-benefit business relationships with customers from,Europe,America and south Asia,supplying obsolete and hard-to-find components to meet their specific needs.

With the principle of “Quality Parts,Customers Priority,Honest Operation,and Considerate Service”,our business mainly focus on the distribution of electronic components. Line cards we deal with include Microchip,ALPS,ROHM,Xilinx,Pulse,ON,Everlight and Freescale. Main products comprise IC,Modules,Potentiometer,IC Socket,Relay,Connector.Our parts cover such applications as commercial,industrial, and automotives areas.

We are looking forward to setting up business relationship with you and hope to provide you with the best service and solution. Let us make a better world for our industry!



## Contact us

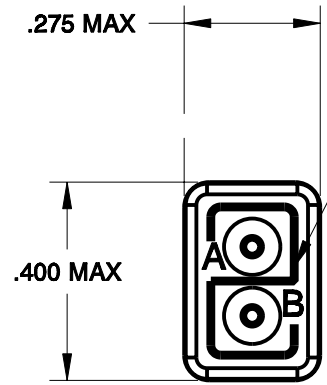
Tel: +86-755-8981 8866 Fax: +86-755-8427 6832

Email & Skype: info@chipsmall.com Web: www.chipsmall.com

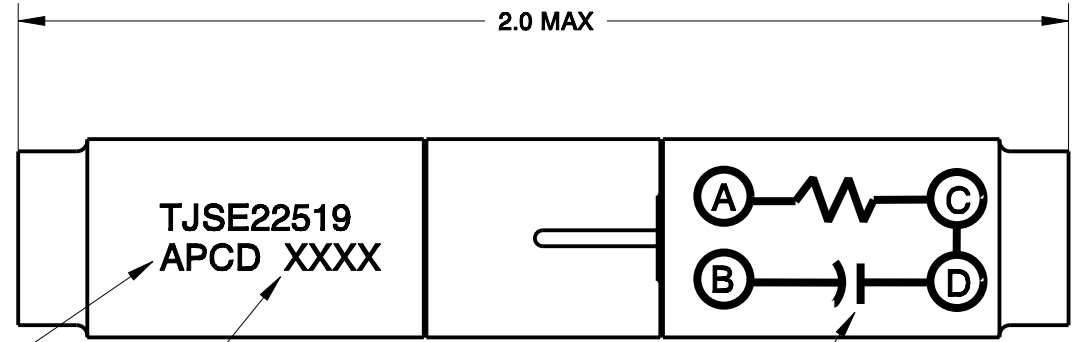
Address: A1208, Overseas Decoration Building, #122 Zhenhua RD., Futian, Shenzhen, China



REV	ECN	DESCRIPTION	APP'D
-	5387	RELEASE	



BUS MARKING (TOP)  
COLOR: WHITE  
AW-2216

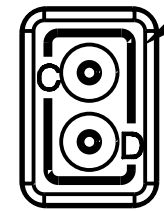


TJSE22519  
APCD XXXX

WHITE MARKING  
.06 HT

DATE CODE

SCHEMATIC MARKING  
COLOR: WHITE  
AW-2445



BUS MARKING, BOTTOM  
COLOR: WHITE  
AW-2234

TJSE22519\_C

TJSE22519\_C



- NOTES:
- MATERIALS:  
HOUSING: POLYETHERIMIDE, COLOR BLACK  
GROMMET: SILICONE ELASTOMER, COLOR BLUE  
INTERNAL CONTACT: COPPER ALLOY, GOLD PLATED,  
PER MIL-G-45204, TYPE I, GRADE C, CLASS I.  
CONTACT RETAINER: STAINLESS STEEL
  - SPLICE ACCEPTS (2) MATING M39029/1-101 CONTACTS
  - PART COMPLIES TO ALL REQUIREMENTS PER MIL-T-81714.

<b>DIMENSIONS</b> ANSI Y14.5M UNITS: INCHES Pro/E FILE	<b>TOLERANCES</b> .XX ±0.01 .XXX ±0.005 ANGLES ±2.0°	<b>PROJECTION</b> 	<b>Amphenol Pcd</b>		<b>TITLE</b> WIRE SPLICE, SIZE 20/22 120 Ω, 1W 1000pF CAPACITOR, BUSSED	
			ENGR	J. TON 02-Jan-04		
ORIGINAL NOT FOR CUSTOMER DISTRIBUTION	THIS DOCUMENT CONTAINS PROPRIETARY INFORMATION WHICH IS THE CONFIDENTIAL PROPERTY OF AMPHENOL PCD INC., PEABODY, MA		CHKD	SIZE	DWG NO. TJSE22519_C	REV
			APPD	B		-
			CODE: 58982	SCALE: 3:1	SHEET 1 OF 1	