



Chipsmall Limited consists of a professional team with an average of over 10 year of expertise in the distribution of electronic components. Based in Hongkong, we have already established firm and mutual-benefit business relationships with customers from,Europe,America and south Asia,supplying obsolete and hard-to-find components to meet their specific needs.

With the principle of “Quality Parts,Customers Priority,Honest Operation,and Considerate Service”,our business mainly focus on the distribution of electronic components. Line cards we deal with include Microchip,ALPS,ROHM,Xilinx,Pulse,ON,Everlight and Freescale. Main products comprise IC,Modules,Potentiometer,IC Socket,Relay,Connector.Our parts cover such applications as commercial,industrial, and automotives areas.

We are looking forward to setting up business relationship with you and hope to provide you with the best service and solution. Let us make a better world for our industry!



## Contact us

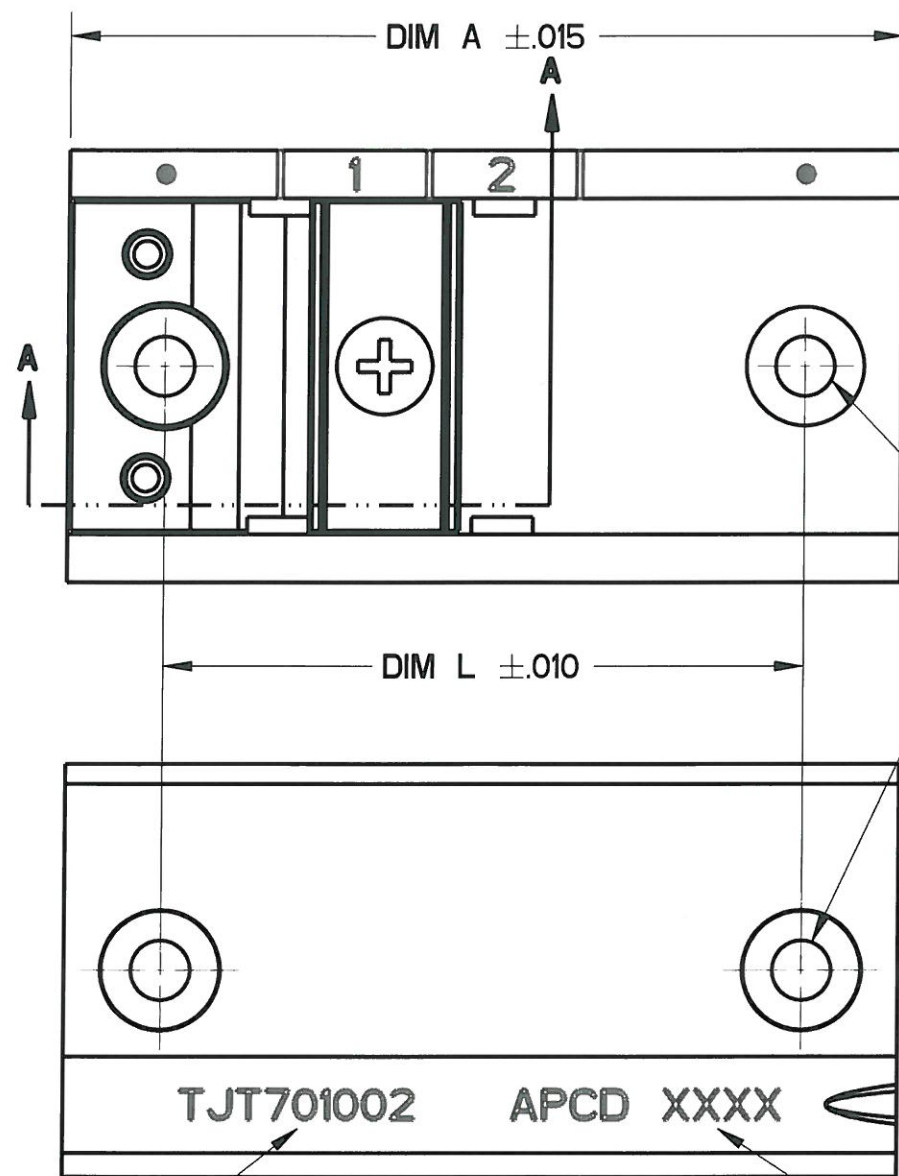
Tel: +86-755-8981 8866 Fax: +86-755-8427 6832

Email & Skype: info@chipsmall.com Web: www.chipsmall.com

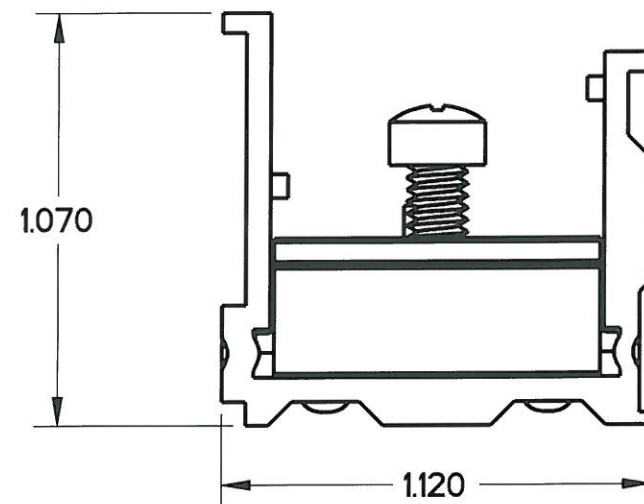
Address: A1208, Overseas Decoration Building, #122 Zhenhua RD., Futian, Shenzhen, China



REV	ECN	APP'D
-	5428	JT 3/24/04
A	6689	<i>[Signature]</i>



Ø.154 MOUNTING HOLES  
CSK 82° X .307 DIA  
4X

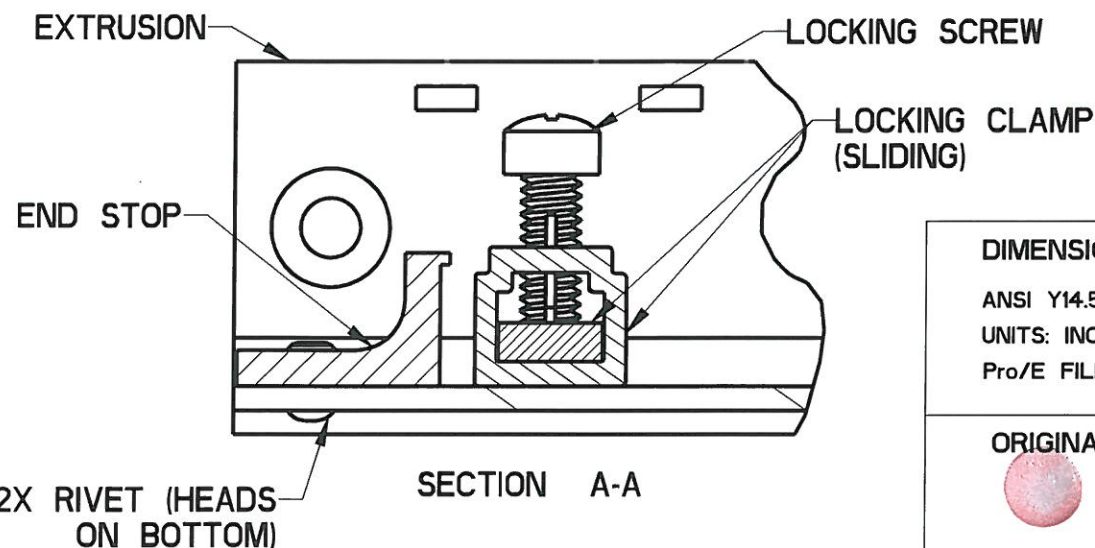


NOTES:

- MATERIALS AND FINISH  
TRACK, LOCKING CLAMP, AND END STOP - ALUMINUM ALLOY 6063  
TEMPER T5, PER FED SPEC. QQ-A-200/9, BLACK ANODIZE PER MIL-A-8625  
TYPE II, CLASS 2.  
LOCKING CLAMP SCREW - CORROSION RESISTANT, PASSIVATED, SELF-LOCKING.  
RIVETS - ALUMINUM ALLOY #2117, CHROMATE PER MIL-DTL-5541, CLASS 1A, YELLOW.
- PARTS CONFORM TO REQUIREMENTS OF M81714/5, EXCEPT NO. OF MOUNTING POSITIONS.
- APCD P/N TJT701002 SHOWN.

APCD P/N

DATE CODE



\* DIVIDE BY 3 FOR SIZE 12 MODULE MOUNTING

APCD P/N	MTG POS*	DIM A	DIM L
TJT701002	2	2.171	1.671
TJT701016	16	7.631	7.131
TJT701017	17	8.021	7.521
TJT701018	18	8.411	7.911
TJT701019	19	8.801	8.301
TJT701020	20	9.191	8.691
TJT701021	21	9.581	9.081

<b>DIMENSIONS</b> ANSI Y14.5M UNITS: INCHES Pro/E FILE	<b>TOLERANCES</b> .XX ±0.01 .XXX ±0.005 ANGLES ±2.0°	<b>PROJECTION</b> 	<b>Amphenol Pcd</b> SPECIFICATION DRAWING ENGR S. KONDO 23-Mar-04		<b>TITLE</b> TERMINAL JUNCTION TRACK FEEDBACK - STANDARD	
			ORIGINAL 	THIS DOCUMENT CONTAINS PROPRIETARY INFORMATION WHICH IS THE CONFIDENTIAL PROPERTY OF AMPHENOL PCD INC. BEVERLY, MA, USA		CHKD <i>[Signature]</i> 4/18/11 APPD <i>[Signature]</i> 9/20/04

TJT701002

TJT701002