



Chipsmall Limited consists of a professional team with an average of over 10 year of expertise in the distribution of electronic components. Based in Hongkong, we have already established firm and mutual-benefit business relationships with customers from,Europe,America and south Asia,supplying obsolete and hard-to-find components to meet their specific needs.

With the principle of “Quality Parts,Customers Priority,Honest Operation,and Considerate Service”,our business mainly focus on the distribution of electronic components. Line cards we deal with include Microchip,ALPS,ROHM,Xilinx,Pulse,ON,Everlight and Freescale. Main products comprise IC,Modules,Potentiometer,IC Socket,Relay,Connector.Our parts cover such applications as commercial,industrial, and automotives areas.

We are looking forward to setting up business relationship with you and hope to provide you with the best service and solution. Let us make a better world for our industry!



## Contact us

Tel: +86-755-8981 8866 Fax: +86-755-8427 6832

Email & Skype: info@chipsmall.com Web: www.chipsmall.com

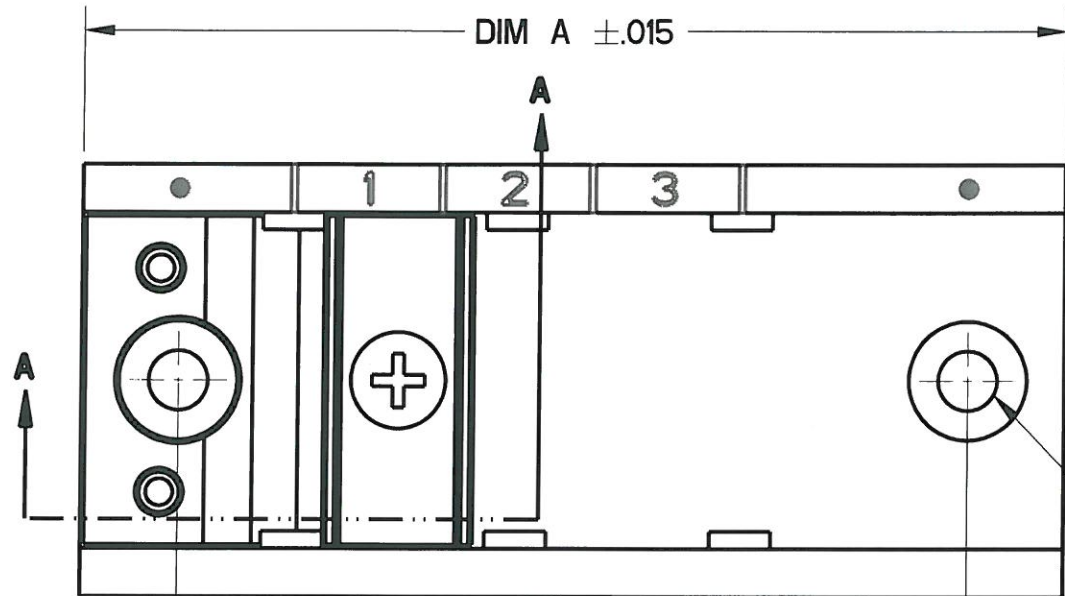
Address: A1208, Overseas Decoration Building, #122 Zhenhua RD., Futian, Shenzhen, China



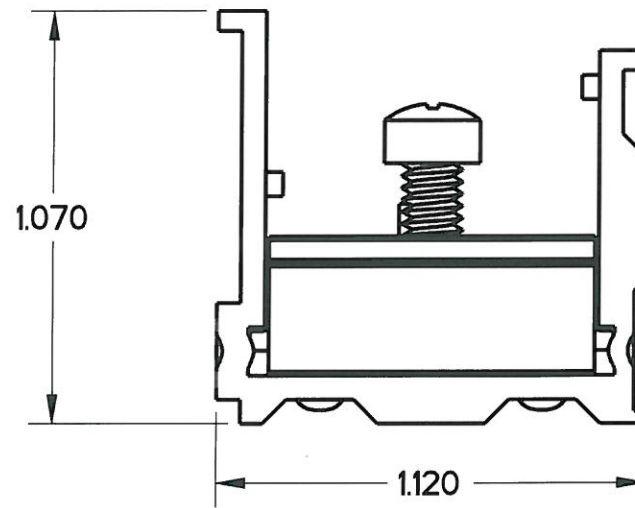
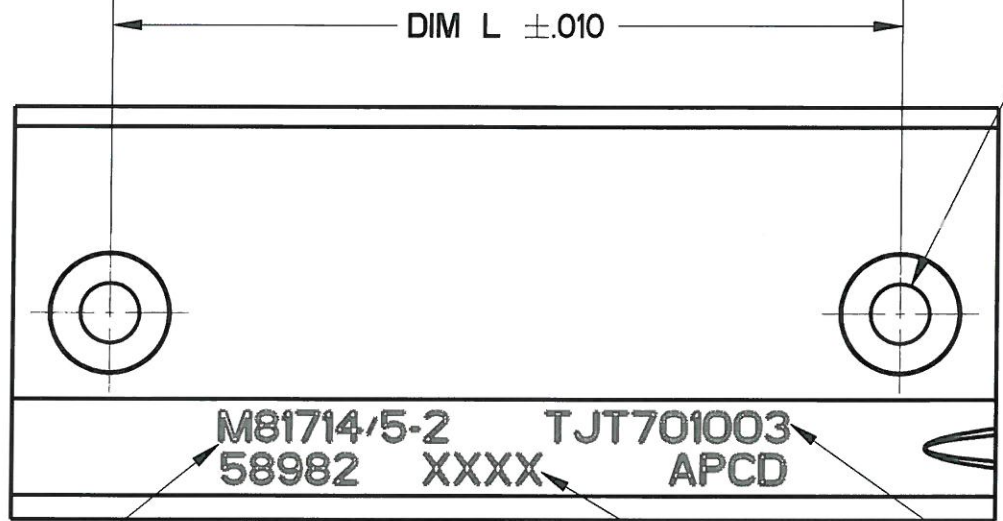
REV	ECN	APP'D
A	6689	<i>[Signature]</i>

NOTES:

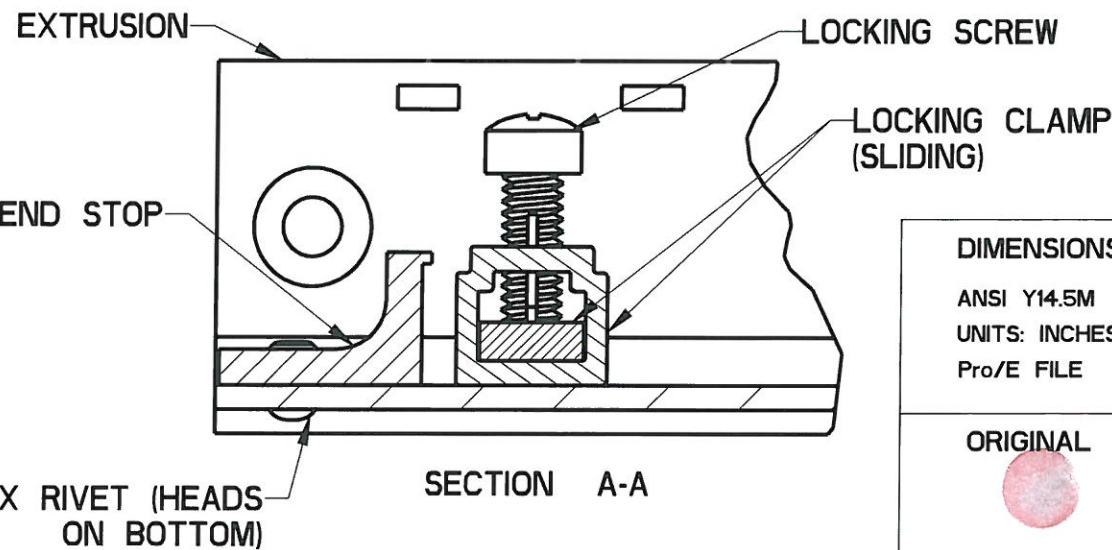
- MATERIALS AND FINISH  
 TRACK, LOCKING CLAMP, AND END STOP - ALUMINUM ALLOY 6063  
 TEMPER T5, PER FED SPEC. QQ-A-200/9, BLACK ANODIZE PER MIL-A-8625  
 TYPE II, CLASS 2.  
 LOCKING CLAMP SCREW - CORROSION RESISTANT, PASSIVATED, SELF-LOCKING.  
 RIVETS - ALUMINUM ALLOY #2117, CHROMATE PER MIL-DTL-5541, CLASS 1A, YELLOW.
- APCD P/N TJT701003 (M81714/5-2) SHOWN.



Ø.154 MOUNTING HOLES  
 CSK 82° X .307 DIA  
 4X



MIL P/N → DATE CODE → APCD P/N



\* DIVIDE BY 3 FOR SIZE 12 MODULE MOUNTING

MIL P/N	APCD P/N	MTG POS.	DIM A	DIM L
M81714/5-1	TJT701010	10	5.291	4.791
M81714/5-2	TJT701003	3	2.561	2.061
M81714/5-3	TJT701004	4	2.951	2.451
M81714/5-4	TJT701005	5	3.341	2.841
M81714/5-5	TJT701006	6	3.731	3.231
M81714/5-6	TJT701007	7	4.121	3.621
M81714/5-7	TJT701008	8	4.511	4.011
M81714/5-8	TJT701009	9	4.901	4.401
M81714/5-9	TJT701011	11	5.681	5.181
M81714/5-10	TJT701012	12	6.071	5.571
M81714/5-11	TJT701013	13	6.461	5.961
M81714/5-12	TJT701014	14	6.851	6.351
M81714/5-13	TJT701015	15	7.241	6.741

DIMENSIONS ANSI Y14.5M UNITS: INCHES Pro/E FILE	TOLERANCES .XX ±0.01 .XXX ±0.005 ANGLES ±2.0°	PROJECTION 	<b>Amphenol Pcd</b> SPECIFICATION DRAWING ENGR M. Hai 12-Apr-11	
			ORIGINAL 	THIS DOCUMENT CONTAINS PROPRIETARY INFORMATION WHICH IS THE CONFIDENTIAL PROPERTY OF AMPHENOL PCD INC. BEVERLY, MA, USA CHKD <i>[Signature]</i> 4/19/11 APPD <i>[Signature]</i> 4/20/11

TITLE TERMINAL JUNCTION TRACK FEEDBACK - STANDARD M81714/5, SERIES I		
SIZE <b>B</b>	DWG NO. <b>TJT701003</b>	REV <b>A</b>
CODE: 58982	SCALE: 2:1	SHEET 1 OF 1

TJT701003

TJT701003