



Chipsmall Limited consists of a professional team with an average of over 10 year of expertise in the distribution of electronic components. Based in Hongkong, we have already established firm and mutual-benefit business relationships with customers from,Europe,America and south Asia,supplying obsolete and hard-to-find components to meet their specific needs.

With the principle of “Quality Parts,Customers Priority,Honest Operation,and Considerate Service”,our business mainly focus on the distribution of electronic components. Line cards we deal with include Microchip,ALPS,ROHM,Xilinx,Pulse,ON,Everlight and Freescale. Main products comprise IC,Modules,Potentiometer,IC Socket,Relay,Connector.Our parts cover such applications as commercial,industrial, and automotives areas.

We are looking forward to setting up business relationship with you and hope to provide you with the best service and solution. Let us make a better world for our industry!



## Contact us

Tel: +86-755-8981 8866 Fax: +86-755-8427 6832

Email & Skype: info@chipsmall.com Web: www.chipsmall.com

Address: A1208, Overseas Decoration Building, #122 Zhenhua RD., Futian, Shenzhen, China

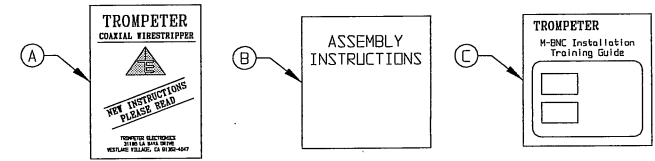


# RED INDICATES ORIGINAL

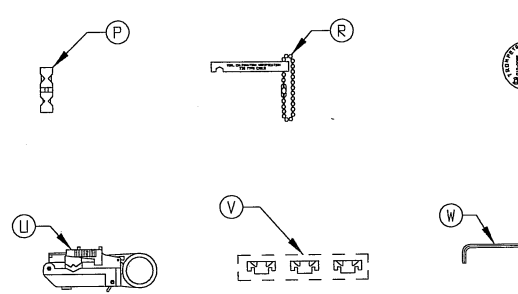
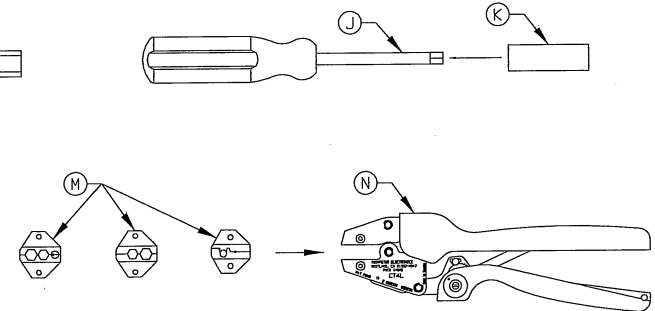
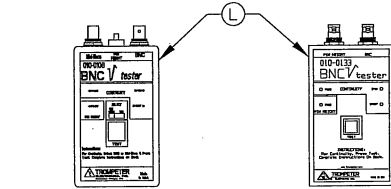
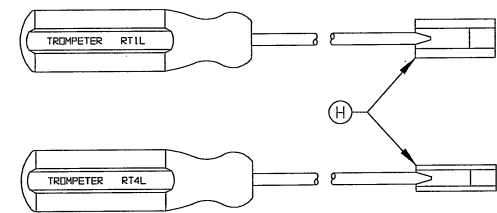
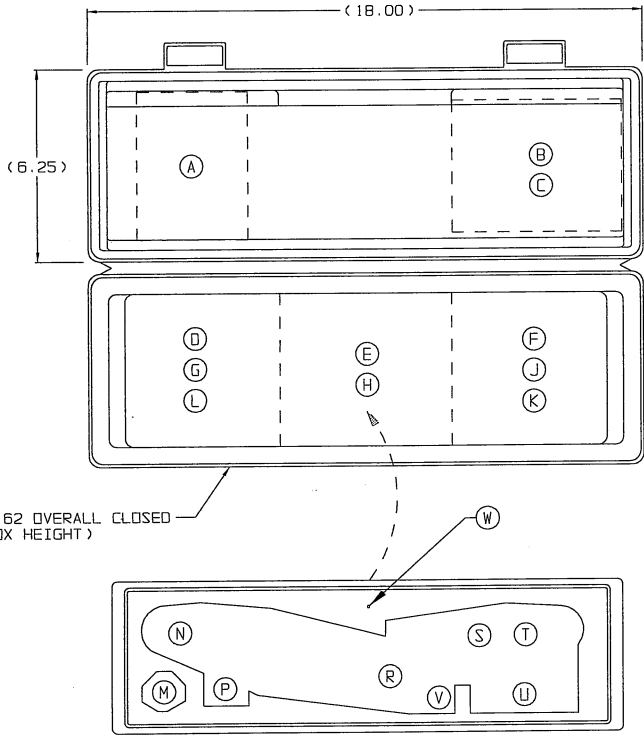
DASH NO	MODEL NO	CONNECTORS (SEE TABLE 2)	INSTALLATION/REMOVAL TOOL	SOCKET DRIVER AND SOCKET	BNC/MINI-WECCO TESTER	DIE SET	CRIMP TOOL	STRIPPING CASSETTE	GAUGE	CONTACT CRIMP TOOL	CABLE CUTTER	STRIPPING TOOL, V BLOCKS AND 2MM ALLEN WRENCH
-1	TK2-1	NONE	NONE	NONE	NONE	CD3-1/2-5	CT4L	STC-F (LT GREEN)	010-0179	010-0098	NONE	ST1
-2	TK2-2	(A) (E) (F)	NONE	NONE	NONE	CD3-1/2-5	CT4L	STC-F (LT GREEN)	010-0179	010-0098	NONE	ST1
-3	TK2-3	NONE	NONE	NONE	NONE	CD3-1/2-5	CT4L	STC-F (LT GREEN) STC-W (GRAY)	010-0179	010-0098	NONE	ST1
-4	TK2-4	NONE	NONE	NONE	NONE	CD3-15	CT4L	STC-F (LT GREEN)	010-0179	010-0098	NONE	ST1
-5	TK2-5	NONE	NONE	NONE	NONE	CD3-3	CT4L	STC-F (LT GREEN)	NONE	010-0098	NONE	ST1
-6	TK2-6	NONE	NONE	NONE	NONE	CD3-1/2-5	CT4L	STC-F (LT GREEN)	010-0179	010-0080	700-0024	ST1
-7	TK2-7	NONE	RT1L	NONE	NONE	CD3-1/2-17	CT4L	STC-F (LT GREEN)	010-0179	010-0098	700-0024	ST1
-8	TK2-8	NONE	NONE	NONE	NONE	CD3-19	CT4L	STC-F (LT GREEN)	010-0179	010-0098	700-0024	ST1
-9	TK2-9	NONE	NONE	NONE	NONE	CD3-19	CT4L	STC-F (LT GREEN)	010-0179	010-0098	700-0024	ST1
-10	TK2-10	NONE	RT1L	NONE	010-0109	CD3-19	CT4L	STC-F (LT GREEN)	010-0179	010-0098	700-0024	ST1
-11	TK2-11	NONE	NONE	NONE	NONE	CD3-1/2-3	CT4L	STC-F (LT GREEN)	010-0179	010-0098	NONE	ST1
-12	TK2-12	NONE	NONE	NONE	NONE	CD3-19	CT4L	STC-F (LT GREEN)	010-0179	010-0097	NONE	ST1
-13	TK2-13	NONE	RT1L	NONE	NONE	CD3-19	CT4L	STC-F (LT GREEN)	010-0179	010-0080	NONE	ST1
-14	TK2-14	NONE	NONE	NONE	010-0133	CD3-19	CT4L	NONE	010-0179	010-0098	700-0024	NONE
-15	TK2-15	NONE	NONE	NONE	NONE	CD3-19	CT4L	STC-F (LT GREEN)	010-0179	010-0098	NONE	ST1
-16	TK2-16	NONE	RT1L	NONE	010-0133	CD3-16	CT4L	STC-F (LT GREEN)	NONE	010-0088	700-0024	ST1
-17	TK2-17	NONE	NONE	NONE	NONE	CD3-19	CT4L	STC-F (LT GREEN)	010-0179	010-0098	700-0024	ST1
-18	TK2-18	NONE	NONE	NONE	NONE	CD3-19	CT4L	STC-F (LT GREEN)	010-0179	NONE	NONE	ST1
-19	TK2-19	NONE	NONE	NONE	NONE	CD3-19	CT4L	STC-F (LT GREEN)	010-0179	010-0098	NONE	ST1
-20	TK2-20	(D)	RT4L	700-1032/700-1033	NONE	CD3-19	CT4L	STC-F (LT GREEN)	010-0179	010-0213	700-0024	ST1

DATA CONTAINED IN THIS DOCUMENT IS PROPRIETARY TO TROMPETER ELECTRONICS, INC. AND SHALL NOT BE DISCLOSED, COPIED OR USED FOR REPRODUCTION OR MANUFACTURE WITHOUT EXPRESS WRITTEN PERMISSION OF TROMPETER ELECTRONICS, INC.

REVISIONS		010-0062	SH 1
REV	DESCRIPTION	DATE	APPROVED
Z	REVISED PER ECO 16426		



CONNECTOR DESIGNATION	CONNECTOR PART NUMBER	QUANTITY	ASSEMBLY INSTRUCTIONS	TRAINING GUIDE
(D)	LPL220-016	25 EACH	TAI-011B	NONE
(E)	LPL220-025	25 EACH	TAI-011B	NONE
(F)	105-1251-9	25 EACH	TAI-011B	NONE
(G)	105-215B-2	10 EACH	105-215B SHEET 2	700-1031



1. (A) THRU (W) REPRESENTS LOCATION OF NOTED TOOLS AND CABLE PLUGS IN BOX

<p>INTERPRET DRAWING PER MIL-STD-100 DIMENSIONS ARE IN INCHES AND DECIMALS FROM THIRDS UNLESS OTHERWISE SPECIFIED</p> <p>DATE: 9-18-07</p> <p>DATE: 10/9/07</p> <p>DATE: 10/9/07</p> <p>FILE NO: 010-0062Z</p>	<p>TOL: UNLESS SPECIFIED .XXX .XXX .XXX ANGLES MATERIAL: FINISH: DO NOT SCALE DIM</p>	<p><b>TROMPETER ELECTRONICS, INC.</b></p> <p>TITLE: TK2 TOOL KIT</p> <p>SIZE: B CAGE CODE: 14949</p> <p>DRAWING NO: 010-0062</p> <p>DATE: 8/29/89</p> <p>SHEET: 1C</p>
--	---	--