



Chipsmall Limited consists of a professional team with an average of over 10 year of expertise in the distribution of electronic components. Based in Hongkong, we have already established firm and mutual-benefit business relationships with customers from,Europe,America and south Asia,supplying obsolete and hard-to-find components to meet their specific needs.

With the principle of “Quality Parts,Customers Priority,Honest Operation,and Considerate Service”,our business mainly focus on the distribution of electronic components. Line cards we deal with include Microchip,ALPS,ROHM,Xilinx,Pulse,ON,Everlight and Freescale. Main products comprise IC,Modules,Potentiometer,IC Socket,Relay,Connector.Our parts cover such applications as commercial,industrial, and automotives areas.

We are looking forward to setting up business relationship with you and hope to provide you with the best service and solution. Let us make a better world for our industry!



## Contact us

Tel: +86-755-8981 8866 Fax: +86-755-8427 6832

Email & Skype: info@chipsmall.com Web: www.chipsmall.com

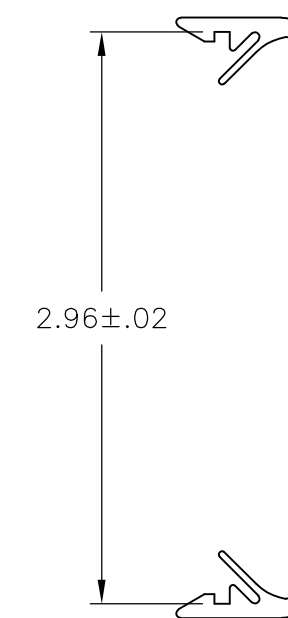
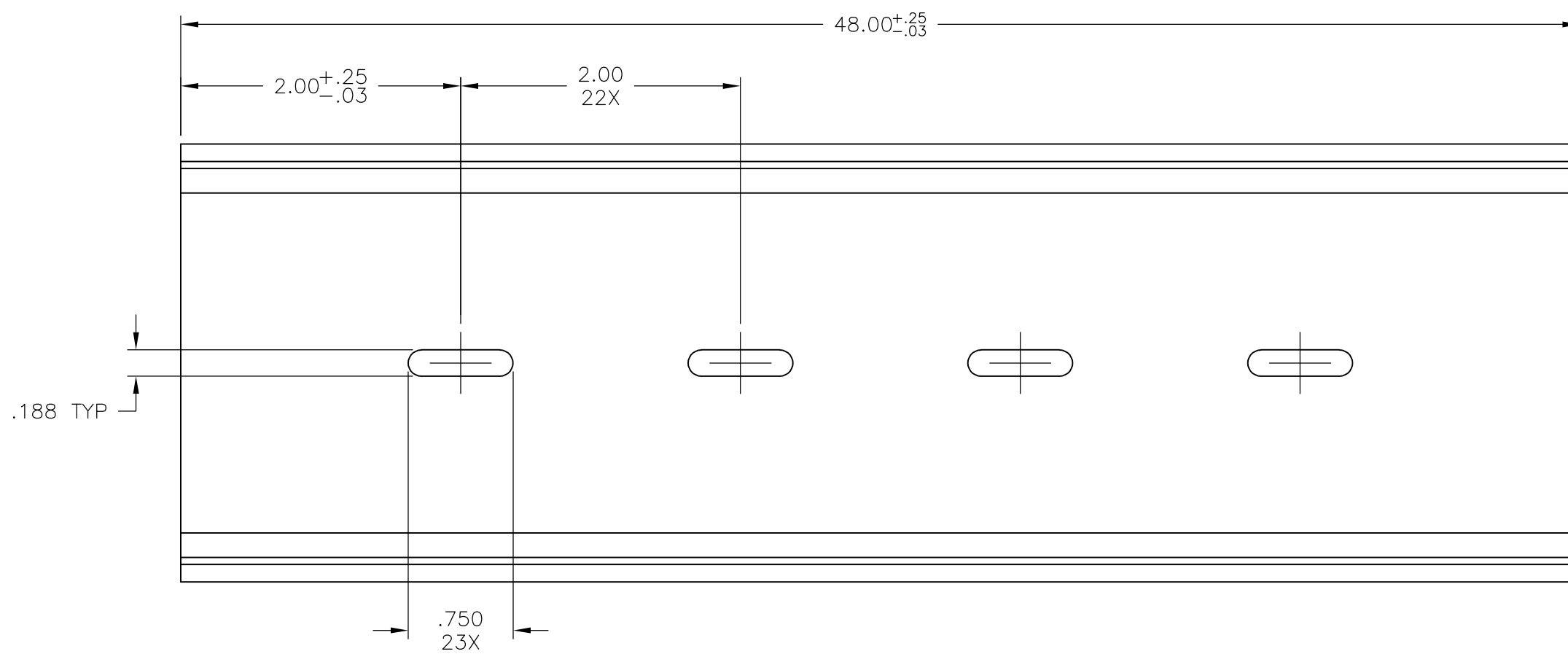
Address: A1208, Overseas Decoration Building, #122 Zhenhua RD., Futian, Shenzhen, China



THIS DRAWING IS UNPUBLISHED. RELEASED FOR PUBLICATION  
 © COPYRIGHT - By - ALL RIGHTS RESERVED.

LOC		DIST		REVISIONS			
P	LTR	DESCRIPTION		DATE	DWN	APVD	
	A1	REVISED PER ECO-11-004917		11MAR11	RK	HMR	

1. ALL DIMENSIONS ARE ±.015 UNLESS OTHERWISE NOTED.
2. MATERIAL: RIGID PVC, COLOR: GRAY.
3. RECOMMENDED PC BOARD WIDTH 3.00".



7-1437685-6  
 PART NUMBER

THIS DRAWING IS A CONTROLLED DOCUMENT.		DWN	06APR2009		
DIMENSIONS: INCHES		CHK	4/6/09		
TOLERANCES UNLESS OTHERWISE SPECIFIED:		APVD	4/6/09		
0 PLC ± - 1 PLC ± - 2 PLC ± - 3 PLC ± - 4 PLC ± - ANGLES ± -		PRODUCT SPEC	NAME		
MATERIAL		FINISH		TK2-48-AG SNAPTRACK	
-		-		SIZE	CAGE CODE
				A2	00779
				DRAWING NO	
				C=7-1437685-6	
				RESTRICTED TO	
				-	
				SCALE	SHEET
				NTS	1 of 1
				REV	A1
				CUSTOMER DRAWING	