



Chipsmall Limited consists of a professional team with an average of over 10 year of expertise in the distribution of electronic components. Based in Hongkong, we have already established firm and mutual-benefit business relationships with customers from,Europe,America and south Asia,supplying obsolete and hard-to-find components to meet their specific needs.

With the principle of “Quality Parts,Customers Priority,Honest Operation,and Considerate Service”,our business mainly focus on the distribution of electronic components. Line cards we deal with include Microchip,ALPS,ROHM,Xilinx,Pulse,ON,Everlight and Freescale. Main products comprise IC,Modules,Potentiometer,IC Socket,Relay,Connector.Our parts cover such applications as commercial,industrial, and automotives areas.

We are looking forward to setting up business relationship with you and hope to provide you with the best service and solution. Let us make a better world for our industry!



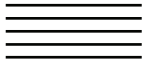
## Contact us

Tel: +86-755-8981 8866 Fax: +86-755-8427 6832

Email & Skype: info@chipsmall.com Web: www.chipsmall.com

Address: A1208, Overseas Decoration Building, #122 Zhenhua RD., Futian, Shenzhen, China





## TK717XX

LDO,  $I_O=200\text{mA}$ , Bipolar, Auto Discharge  
LDOレギュレータ、 $I_O=200\text{mA}$ 、バイポーラ、自動ディスチャージ

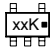
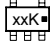
### Feature

- |   |   |
|---|---|
| ■ Auto discharge function                                   | ■ 自動ディスチャージ機能                               |
| ■ High accuracy   | ■ 高い出力電圧精度                                  |
| ■ Low dropout voltage                                       | ■ 低い入出力間電圧降下                                |
| ■ Thermal and over current protection                       | ■ 過電流保護、過熱保護                                |
| ■ Built-in reverse bias over current protection             | ■ 逆バイアス過電流阻止回路                              |
| ■ Active high on/off control                                | ■ アクティブハイ on/off コントロール                     |
| ■ Packages: SOT23-5   | ■ パッケージ: SOT23-5                            |
| ■ Operating Voltage Range $V_{OP}=2.1$ to 14V               | ■ 動作電圧範囲 $V_{OP}=2.1\sim 14\text{V}$        |
| ■ Operating Temp. Range $T_{OP}=-40$ to $+85^\circ\text{C}$ | ■ 動作温度範囲 $T_{OP}=-40\sim +85^\circ\text{C}$ |

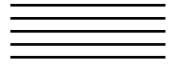
### Electrical Characteristics

Part Name	Ch	$V_{OP}$	$V_{OUT}$	$I_{OUT}$	$V_{DROP}$	Package	$I_Q$	R.R.
TK717XX	1ch	2.1 to 14V	1.5 to 5V	200 mA	163mV	SOT23-5	72 $\mu\text{A}$	-80dB

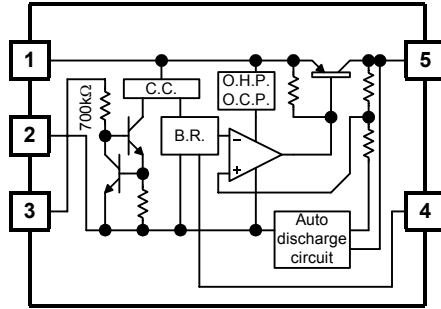
### Ordering Guide, Marking

Part Name	Ordering Name	Marking	Description	Order Size
TK717XX	TK717**SCL-G		TK717**: Part Name M: SOT23-5 Package C: $T_A=+25^\circ\text{C}$ L: Tape&Reel, Left -G: PB-Free	3,000 pcs./Reel
TK717XX	TK717**SIL-G		TK717**: Part Name S: SOT23-5 Package I: $T_A=-40$ to $+85^\circ\text{C}$ L: Tape&Reel, Left -G: PB-Free	3,000 pcs./Reel

\* \*\*\*, in ordering name, means voltage code. For example, "33" shows 3.3V.  
オーダリング名中の\*\*\*は電圧コードを示しています。例えば"33"は3.3Vを示します。



Pin Layout, Block Diagram



**LDO, Positive I/O, Bipolar** **6**