



Chipsmall Limited consists of a professional team with an average of over 10 year of expertise in the distribution of electronic components. Based in Hongkong, we have already established firm and mutual-benefit business relationships with customers from,Europe,America and south Asia,supplying obsolete and hard-to-find components to meet their specific needs.

With the principle of “Quality Parts,Customers Priority,Honest Operation,and Considerate Service”,our business mainly focus on the distribution of electronic components. Line cards we deal with include Microchip,ALPS,ROHM,Xilinx,Pulse,ON,Everlight and Freescale. Main products comprise IC,Modules,Potentiometer,IC Socket,Relay,Connector.Our parts cover such applications as commercial,industrial, and automotives areas.

We are looking forward to setting up business relationship with you and hope to provide you with the best service and solution. Let us make a better world for our industry!



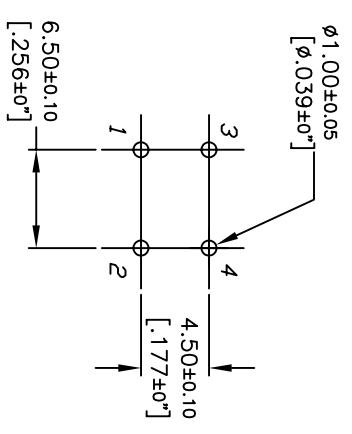
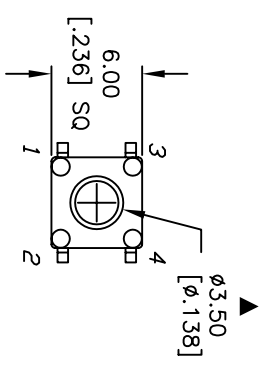
Contact us

Tel: +86-755-8981 8866 Fax: +86-755-8427 6832

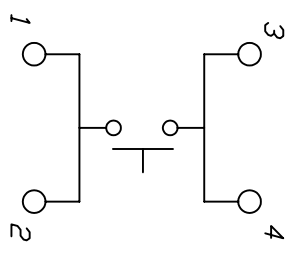
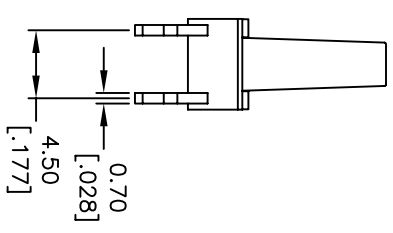
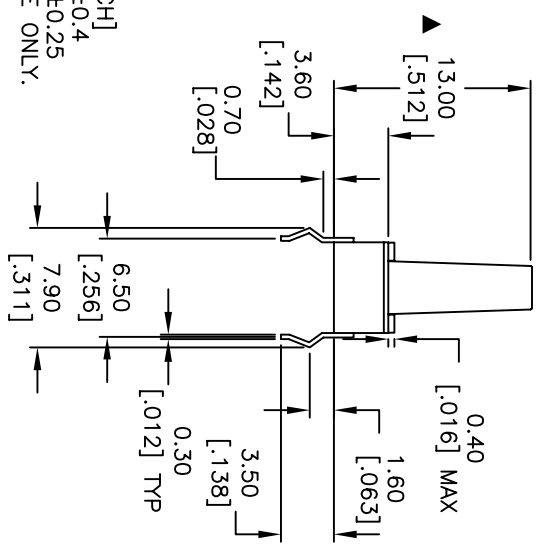
Email & Skype: info@chipsmall.com Web: www.chipsmall.com

Address: A1208, Overseas Decoration Building, #122 Zhenhua RD., Futian, Shenzhen, China





RECOMMEND P.C.B. LAYOUT



CIRCUIT: SPST
CONTACT CONFIGURATION

- NOTES:
1. ALL DIMENSIONS IN MM [INCH]
 2. GENERAL TOLERANCE: X.X=±0.4
X.XX=±0.25
 3. TERM. NOS. FOR REFERENCE ONLY.
 4. RATINGS: 12VDC, 50mA
 5. OPERATING FORCE: 160±50gf
 6. TRAVEL: 0.25±0.1mm
 7. CONTACT RESISTANCE: 100 MILLI-OHMS Max.
 8. DIELECTRIC STRENGTH: 250V RMS min.
 9. INSULATION RESISTANCE: 1000 Mega-OHMS min.
 10. ELECTRICAL LIFE: 100,000 CYCLES min.
 11. ▲ DENOTES CRITICAL PARAMETER

C	14528	UPDATE STANDARDS & TITLE	11/19/04	AR
REV.	ECN No.	DESCRIPTION	DATE	CHKD

TITLE	TL1105DF160Q CUSTOM TAPER
SCALE	2:1
DATE	11/19/04
DR	AR
DWG	P010005
REV	C



THE INFORMATION CONTAINED IN THIS DOCUMENT IS PROPRIETARY TO E-SWITCH AND IS NOT TO BE COPIED OR TRANSFERRED