



Chipsmall Limited consists of a professional team with an average of over 10 year of expertise in the distribution of electronic components. Based in Hongkong, we have already established firm and mutual-benefit business relationships with customers from,Europe,America and south Asia,supplying obsolete and hard-to-find components to meet their specific needs.

With the principle of “Quality Parts,Customers Priority,Honest Operation,and Considerate Service”,our business mainly focus on the distribution of electronic components. Line cards we deal with include Microchip,ALPS,ROHM,Xilinx,Pulse,ON,Everlight and Freescale. Main products comprise IC,Modules,Potentiometer,IC Socket,Relay,Connector.Our parts cover such applications as commercial,industrial, and automotives areas.

We are looking forward to setting up business relationship with you and hope to provide you with the best service and solution. Let us make a better world for our industry!



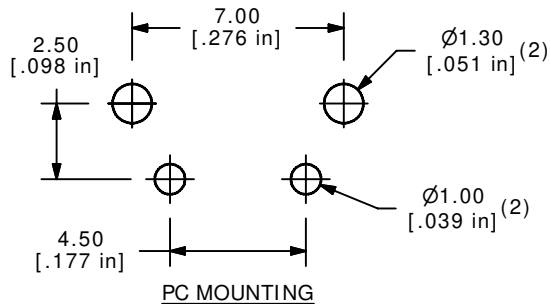
Contact us

Tel: +86-755-8981 8866 Fax: +86-755-8427 6832

Email & Skype: info@chipsmall.com Web: www.chipsmall.com

Address: A1208, Overseas Decoration Building, #122 Zhenhua RD., Futian, Shenzhen, China



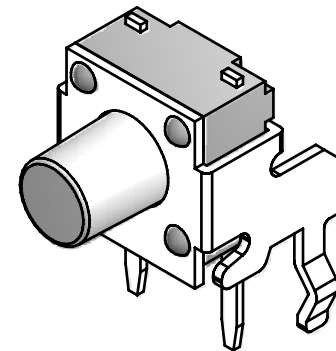
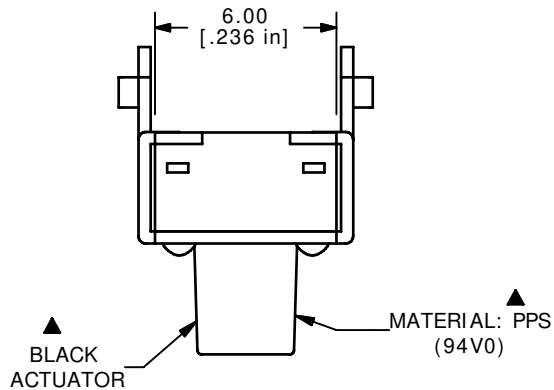


PC MOUNTING

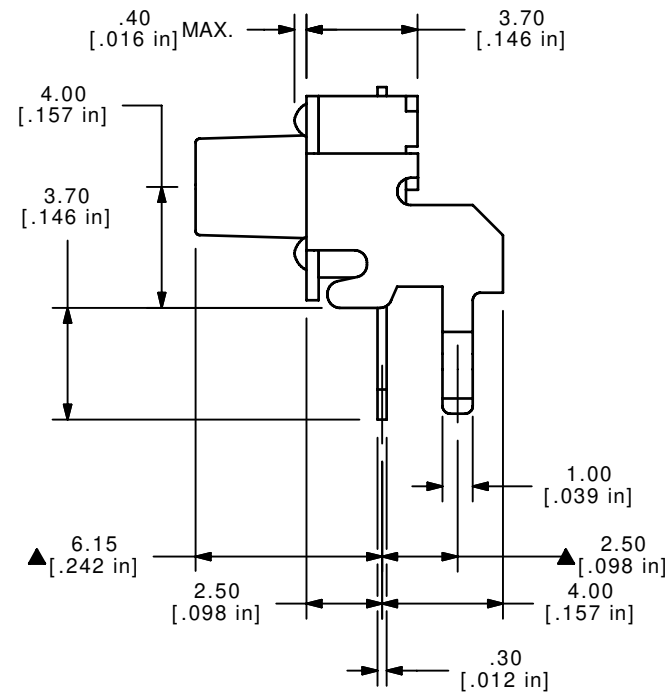
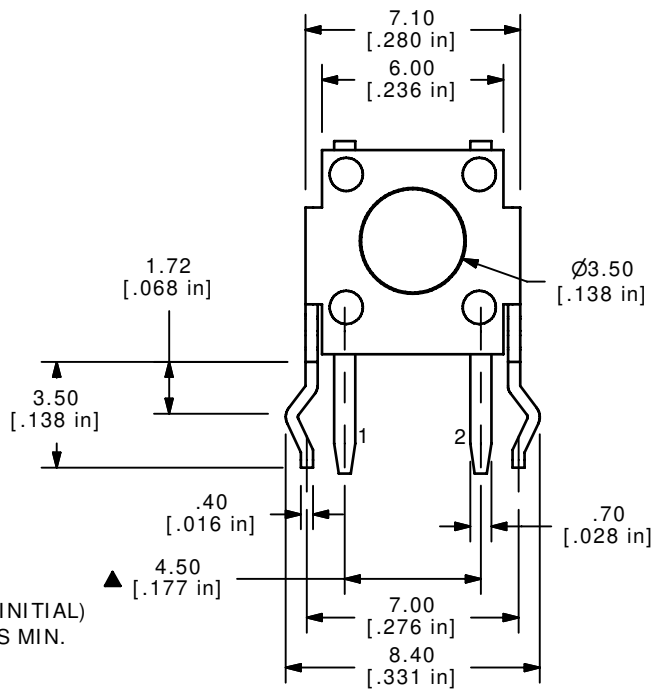


CIRCUIT: SPST

- NOTES:
1. ALL DIMENSIONS IN MM
 2. GENERAL TOLERANCE: X.X= ±0.4
X.XX= ±0.25
 3. TERM. NOS. FOR REFERENCE ONLY.
 4. RATING: 12VDC, 50mA
 - ▲ 5. OPERATING FORCE: 160 ± 50 gms
 6. TRAVEL: 0.25 +0.2/-0.1 mm
 7. CONTACT RESISTANCE: 50 MILLI OHMS MAX. (INITIAL)
 8. MECHANICAL/ELECTRICAL LIFE 100,000 CYCLES MIN.
 - ▲ 9. CONTACT MATERIAL: SILVER
 10. ▲ DENOTES CRITICAL PARAMETER
 11. 2002/95/EC (ROHS) COMPLIANT
 12. SOLDER PROFILE: 260C MAX FOR 8 SECONDS MAX, PREHEAT
PREHEAT 150C MAX FOR 60 SECONDS





ISOMETRIC



B	18657	Added Note 12	9/18/09	rc
A	18601	RELEASED FOR PRODUCTION	7/31/09	BLR
REV	PCR NO	DESCRIPTION	DATE	BY

THE INFORMATION CONTAINED IN THIS DOCUMENT IS PROPRIETARY TO E-SWITCH AND IS NOT TO BE COPIED OR TRANSFERRED

				
TITLE TL1105RF160Q94VO				
SCALE	DATE	DR	DWG	REV
4:1	7/31/2009	BLR	P010389	B