



Chipsmall Limited consists of a professional team with an average of over 10 year of expertise in the distribution of electronic components. Based in Hongkong, we have already established firm and mutual-benefit business relationships with customers from,Europe,America and south Asia,supplying obsolete and hard-to-find components to meet their specific needs.

With the principle of "Quality Parts,Customers Priority,Honest Operation,and Considerate Service",our business mainly focus on the distribution of electronic components. Line cards we deal with include Microchip,ALPS,ROHM,Xilinx,Pulse,ON,Everlight and Freescale. Main products comprise IC,Modules,Potentiometer,IC Socket,Relay,Connector.Our parts cover such applications as commercial,industrial, and automotives areas.

We are looking forward to setting up business relationship with you and hope to provide you with the best service and solution. Let us make a better world for our industry!



## Contact us

Tel: +86-755-8981 8866 Fax: +86-755-8427 6832

Email & Skype: info@chipsmall.com Web: www.chipsmall.com

Address: A1208, Overseas Decoration Building, #122 Zhenhua RD., Futian, Shenzhen, China

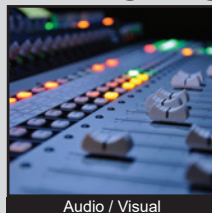


# TL1220 SERIES TACT SWITCH

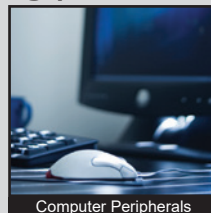
ANTI-VANDAL SWITCHES  
DETECTOR SWITCHES  
DIP SWITCHES  
KEYLOCK SWITCHES  
NAVIGATION SWITCHES  
PUSHBUTTON SWITCHES  
ROCKER SWITCHES  
ROTARY SWITCHES  
SLIDE SWITCHES  
SNAP ACTION SWITCHES  
TACTILE SWITCHES  
TOGGLE SWITCHES  
CAP OPTIONS



## APPLICATIONS / MARKETS



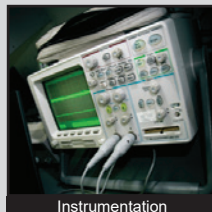
Audio / Visual



Computer Peripherals



Consumer Electronics



Instrumentation



Telecommunication



Medical Equipment

# RoHS

## SPECIFICATIONS

**Electrical Rating:** 50mA @ 12VDC  
**Life Expectancy:** 500,000 cycles  
**Contact Resistance:** 100mΩ @ 1.5 VDC Max. Initial  
**Insulation Resistance:** 100 MΩ Min. at 500VAC  
**Dielectric Strength:** 500VAC for 1 min.  
**Operating Temperature:** -40°C to 85°C  
**Operating Force:** 180 gf ± 50gf  
**Travel:** 0.20mm ± 0.1mm  
**Contact Arrangement:** SPST

## FEATURES & BENEFITS

- Multiple illuminated cap options
- Single color and bi-color LED options
- Sharp tactile response

## PART NUMBER CONFIGURATOR

Series	Button	Bezel	Bezel Color	Button Color	LED Color	Graphic
<input type="checkbox"/> <input type="checkbox"/> <input type="checkbox"/> <input type="checkbox"/> <input type="checkbox"/> <input type="checkbox"/> TL1220	<input type="checkbox"/> <input type="checkbox"/> N - No Button S1 - 7.5mm sq. short S2 - 7.5mm sq. tall S3 - 10x14 rect.* S4 - 10x19 rect.* S5 - 12mm sq. * (W-tran. white only) S6 - 9.6x13.7 rect.* (T-tran. green only) R1 - 7.0mm dia. R2 - 8.0mm dia. R3 - 10.0mm dia. R4 - 13.0mm dia. w/ I/O* R5 - 8.0mm dia. (W-tran. white only)****	<input type="checkbox"/> N - No Bezel B - With Bezel	<input type="checkbox"/> N - No Bezel B - Black G - Gray	<input type="checkbox"/> N - No Button B - Black G - Gray R - Red S - Silver W - Translucent White** T - Translucent Green***	<input type="checkbox"/> N - No LED R - Red G - Green Y - Yellow B - Blue W - White RG - Red-Green RY - Red-Yellow RB - Red-Blue YG - Yellow-Green YB - Yellow-Blue GB - Green-Blue	<input type="checkbox"/> N - No Graphic

\* The S3, S4, S5, S6 and R4 buttons are not available with bezel options.

\*\* W-Translucent white is only available with R5 and S5 buttons

\*\*\* T-Translucent green is only available with S6 button

\*\*\*\* R5 is only available with bezel option

Specifications subject to change without notice



**E-SWITCH®**

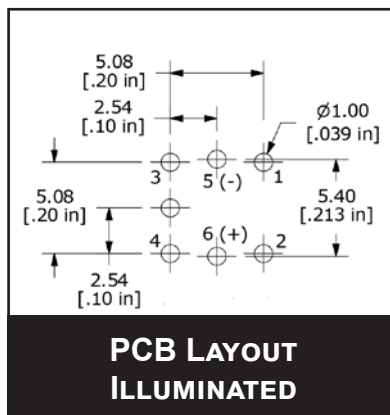
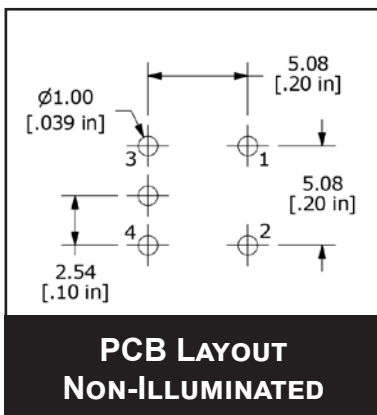
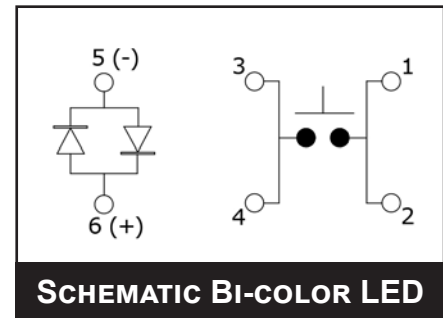
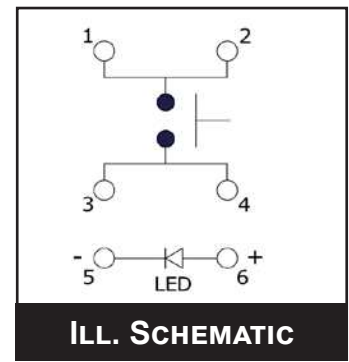
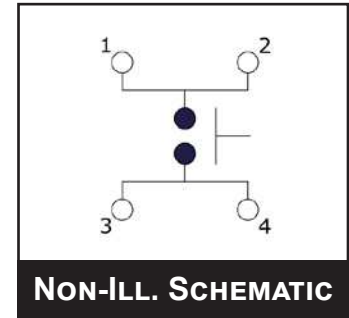
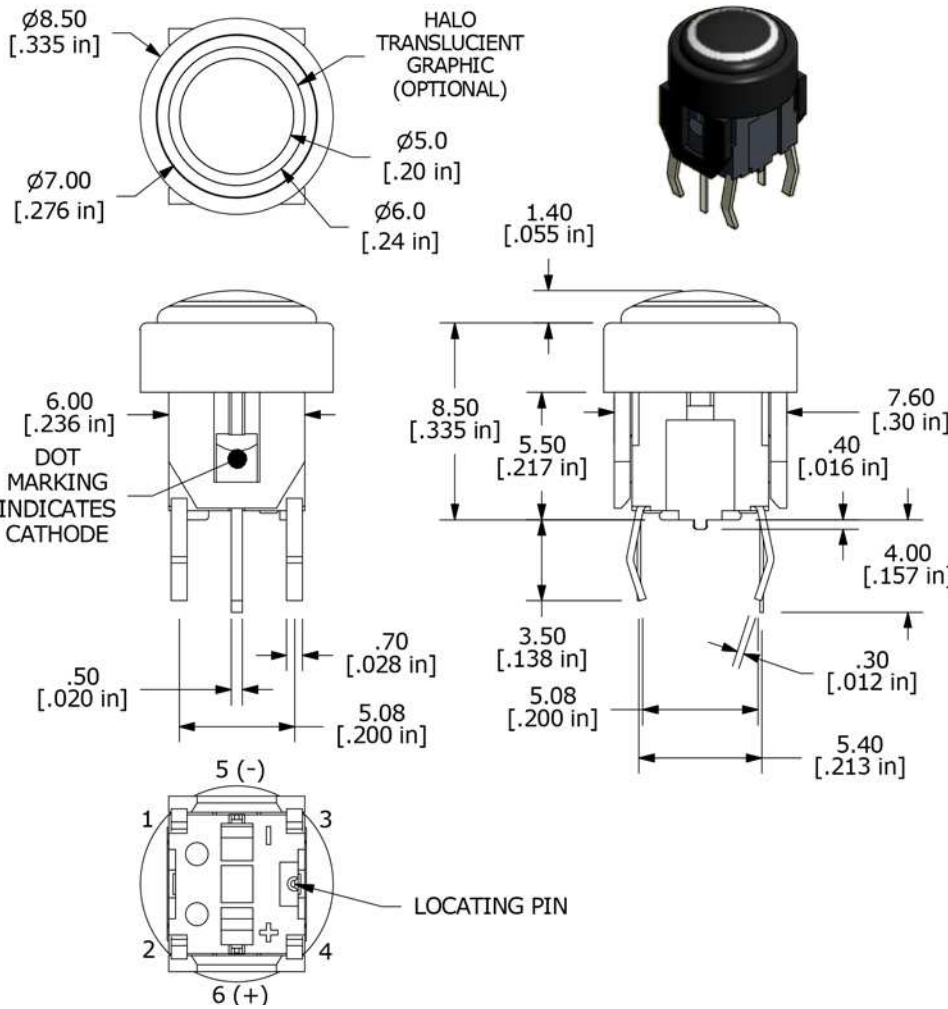
www.e-switch.com

800.867.2717

2

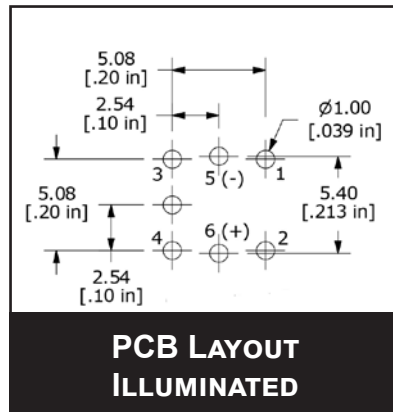
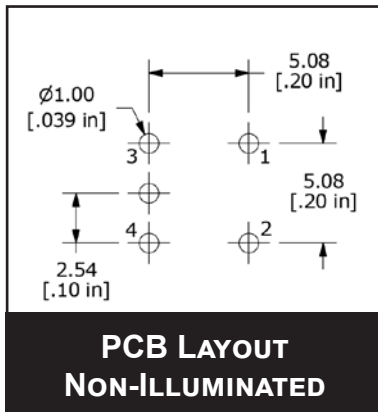
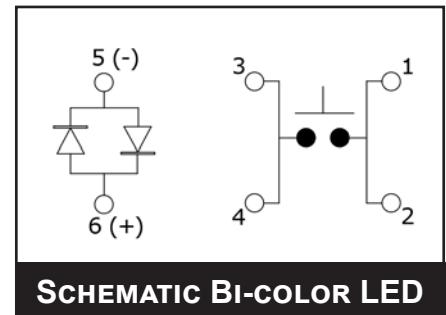
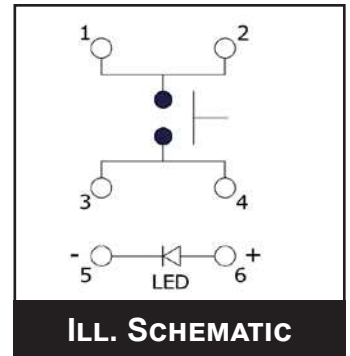
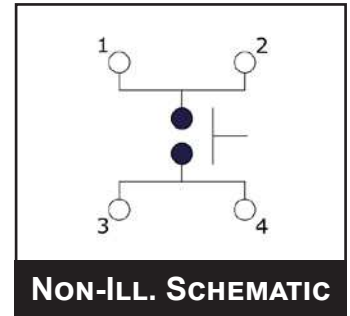
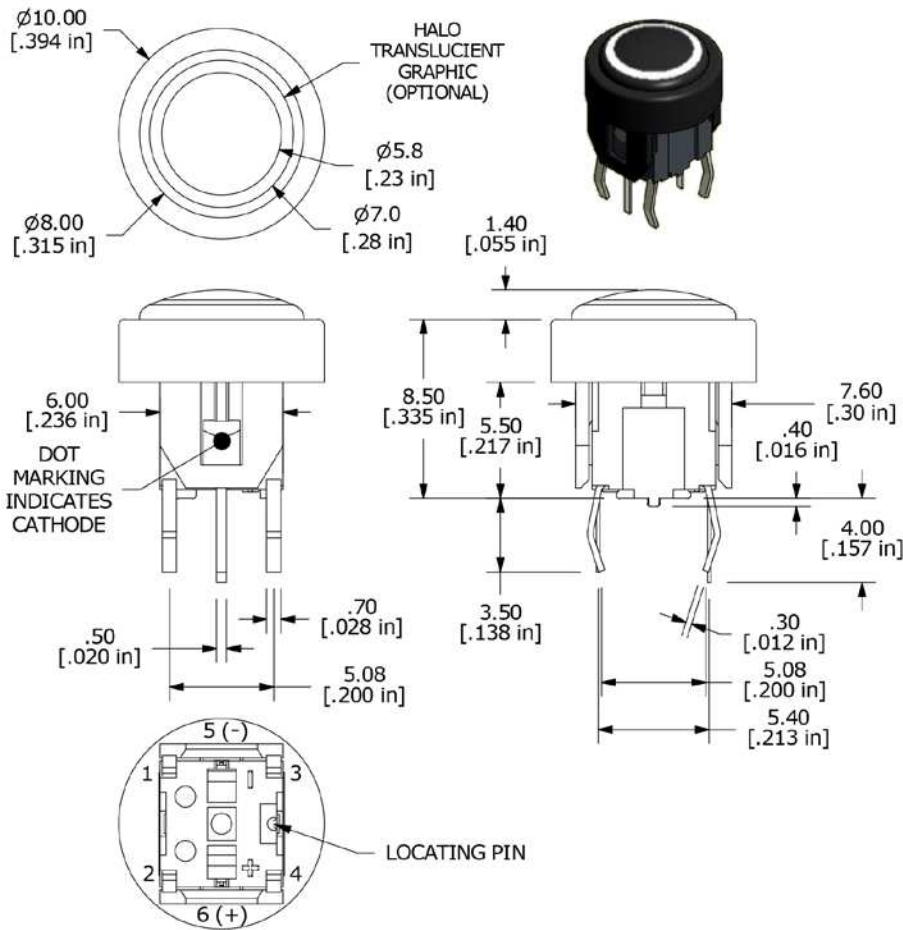
# TL1220 SERIES TACT SWITCH

## R1 BUTTON - 7MM DIA.

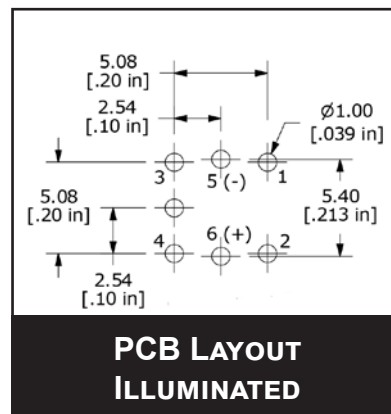
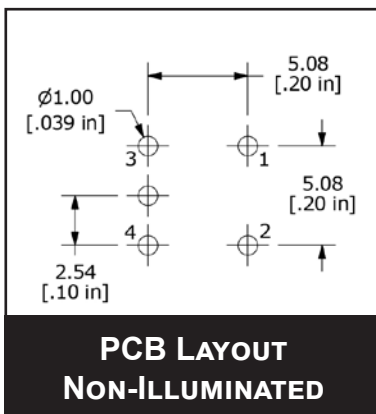
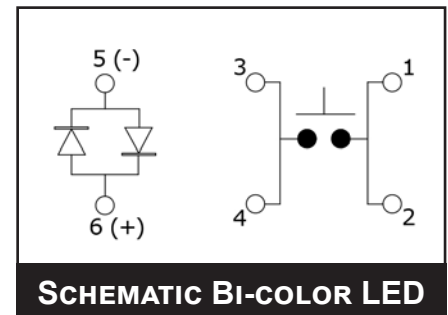
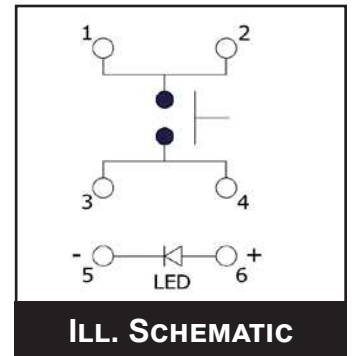
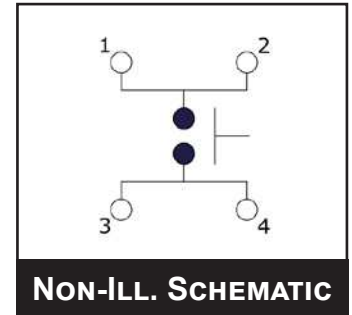
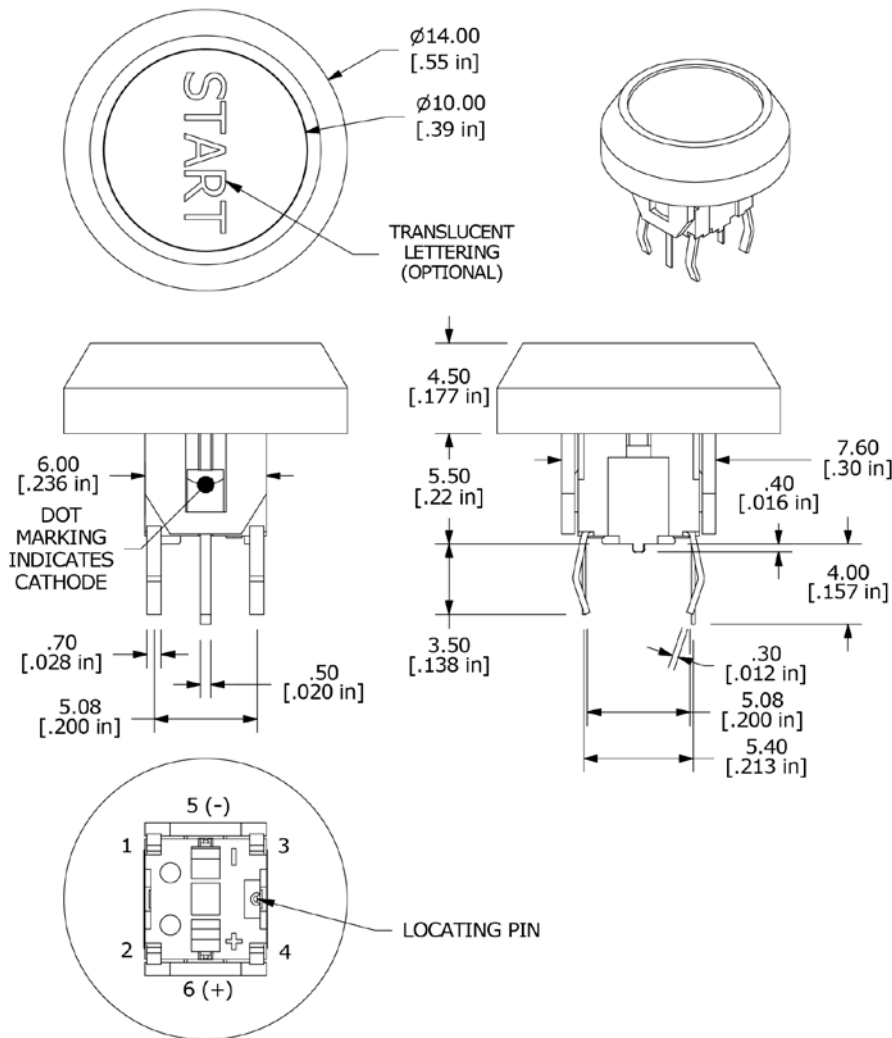


ANTI-VANDAL SWITCHES  
 DETECTOR SWITCHES  
 DIP SWITCHES  
 KEYLOCK SWITCHES  
 NAVIGATION SWITCHES  
 PUSHBUTTON SWITCHES  
 ROTARY SWITCHES  
 SLIDE SWITCHES  
 SNAP ACTION SWITCHES  
 TACTILE SWITCHES  
 TOGGLE SWITCHES  
 CAP OPTIONS

## R2 BUTTON - 8MM DIA.



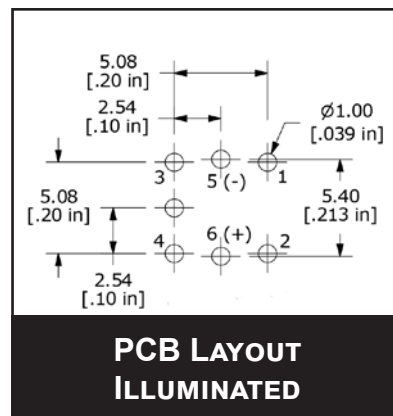
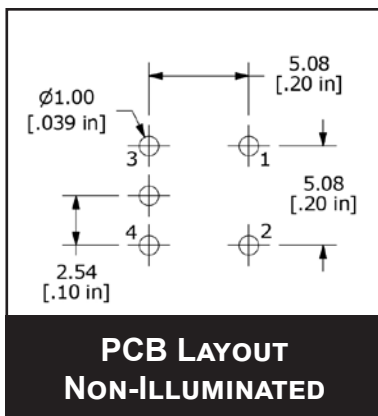
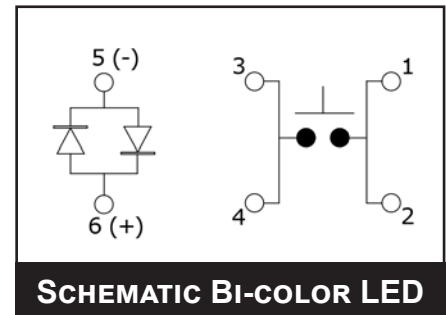
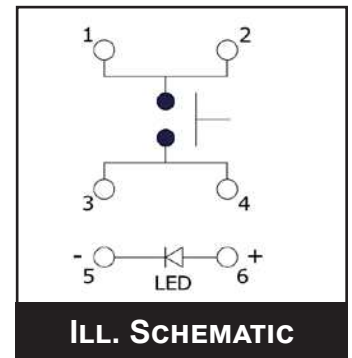
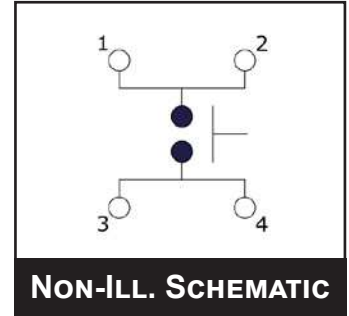
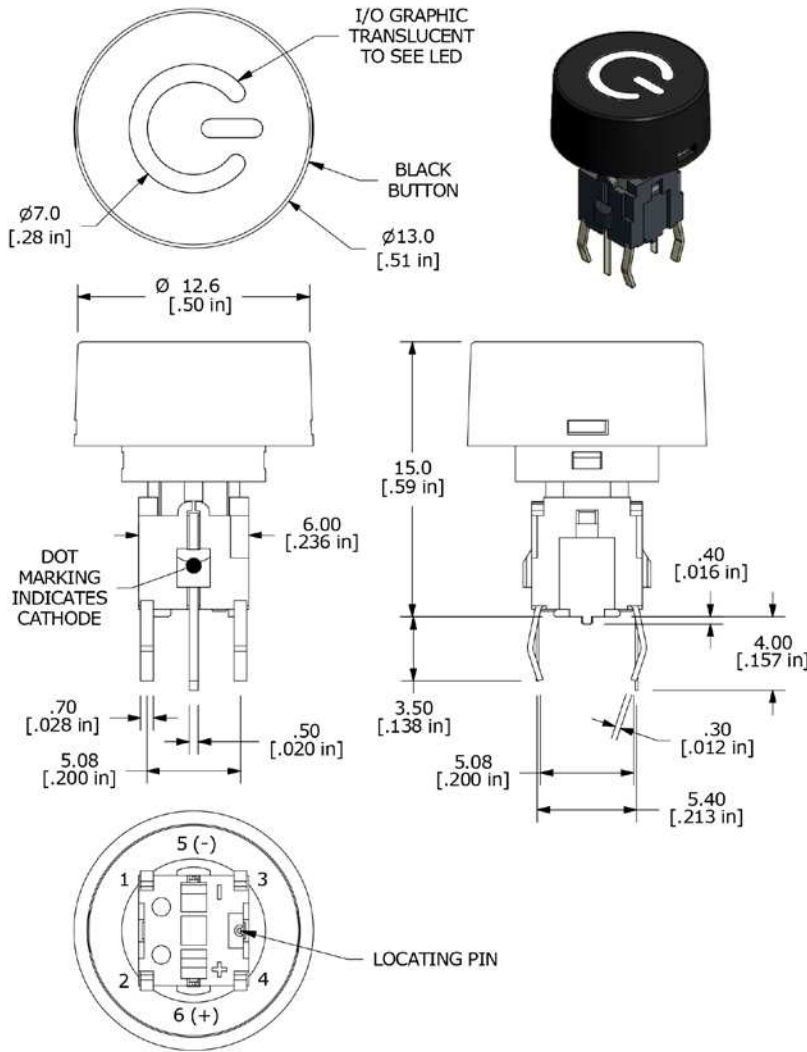
## R3 BUTTON - 10MM DIA.



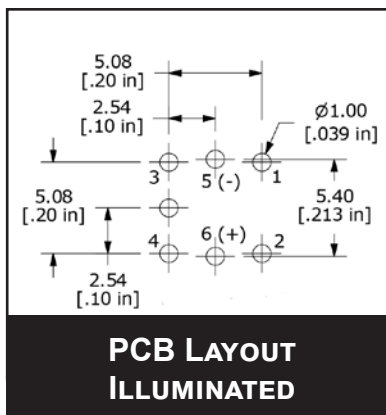
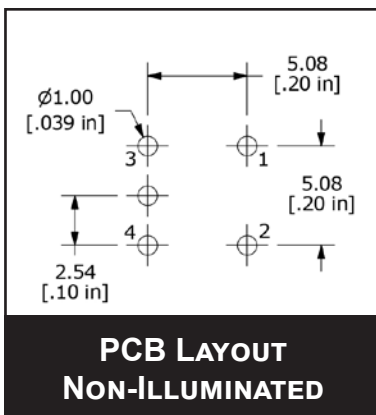
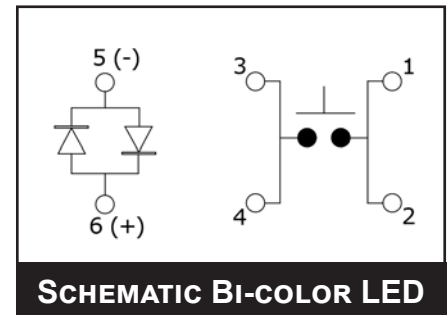
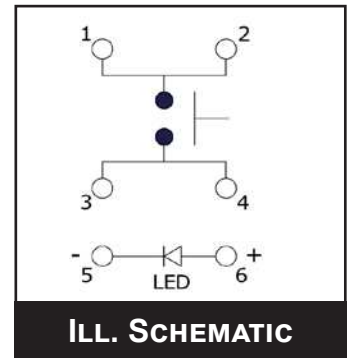
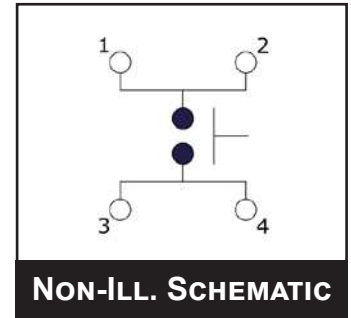
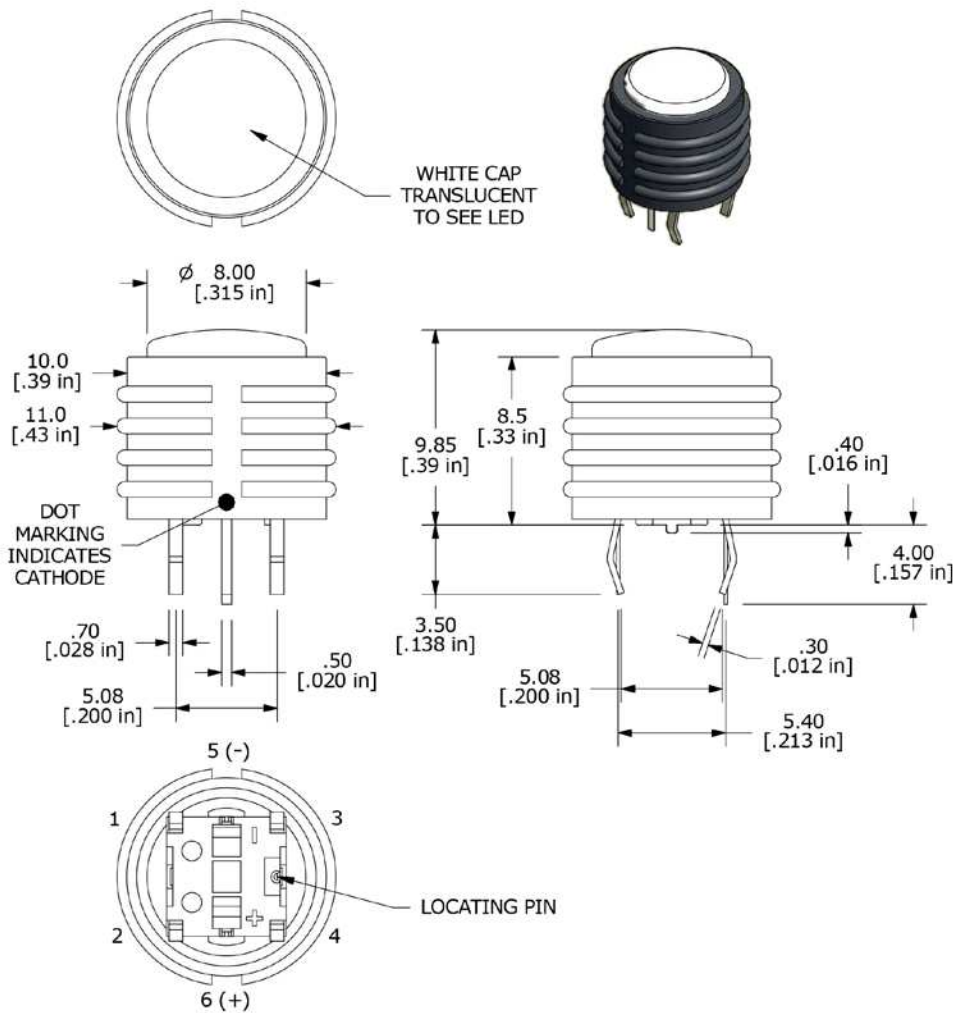
ANTI-VANDAL SWITCHES  
 DETECTOR SWITCHES  
 DIP SWITCHES  
 KEYLOCK SWITCHES  
 NAVIGATION SWITCHES  
 PUSHBUTTON SWITCHES  
 ROTARY SWITCHES  
 SLIDE SWITCHES  
 SNAP ACTION SWITCHES  
 TACTILE SWITCHES  
 TOGGLE SWITCHES  
 CAP OPTIONS

# TL1220 SERIES

## R4 BUTTON - 13MM DIA. W/ ILLUMINATED I/O

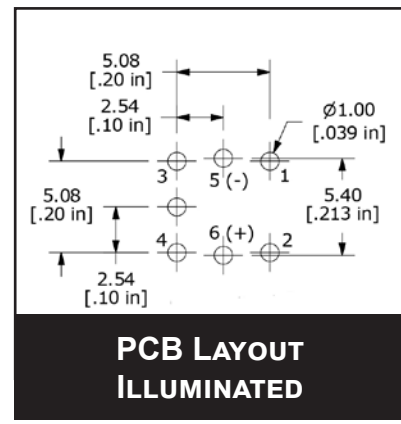
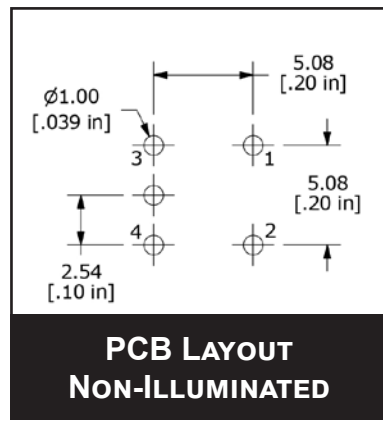
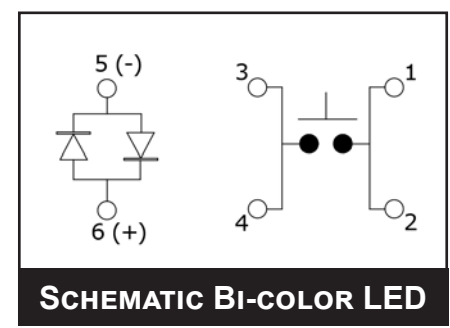
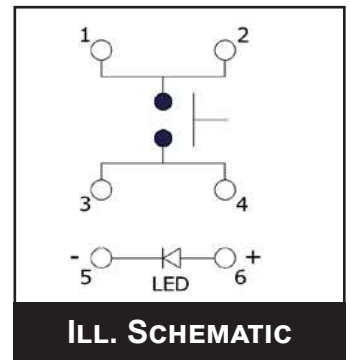
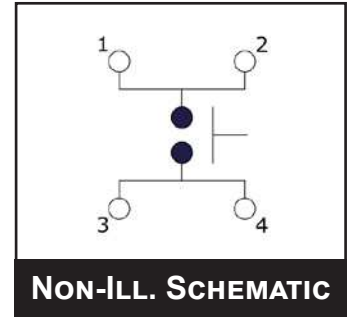
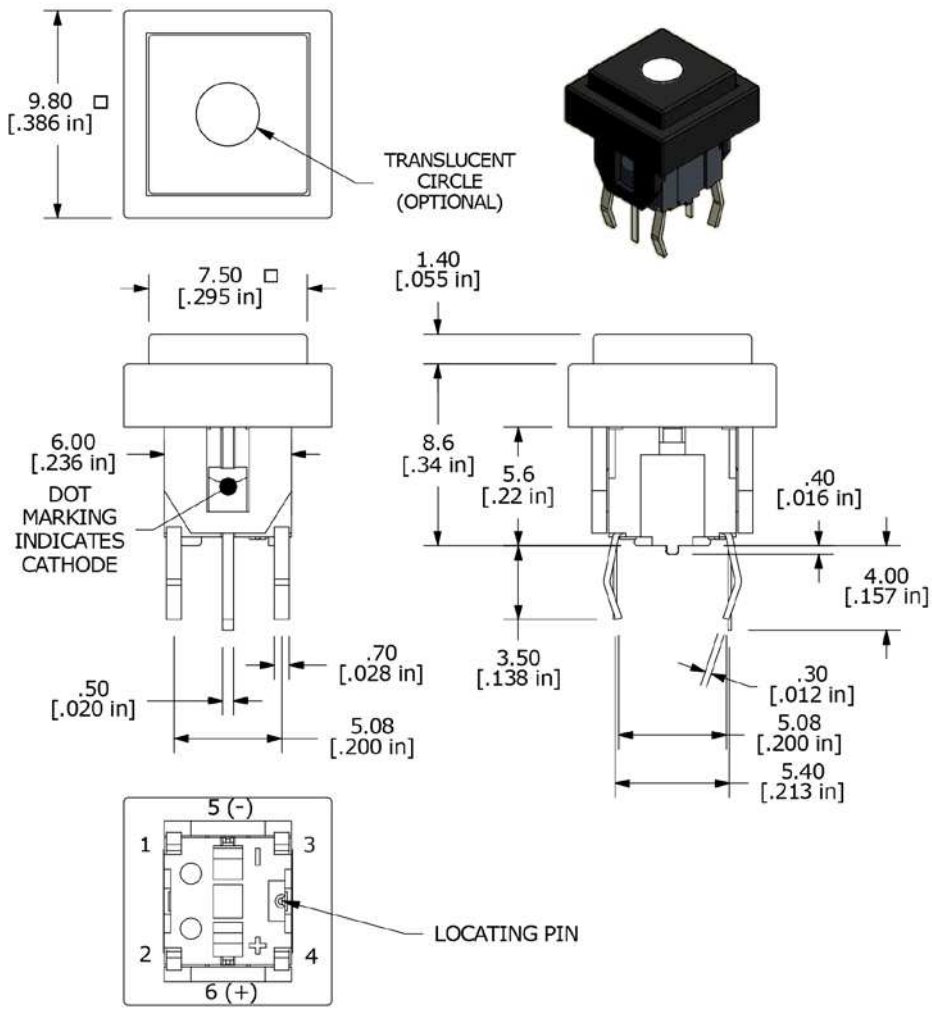


## R5 BUTTON - 8MM DIA. TRANSLUCENT



ANTI-VANDAL  
DETECTOR  
DIP  
KEYLOCK  
NAVIGATION  
PUSHBUTTON  
ROCKER  
ROTARY  
SLIDE  
SNAP ACTION  
TACTILE  
TOGGLE  
CAP  
OPTIONS

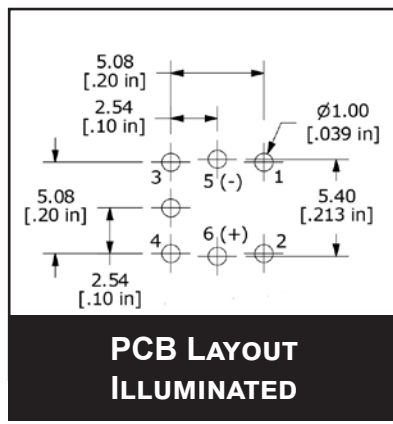
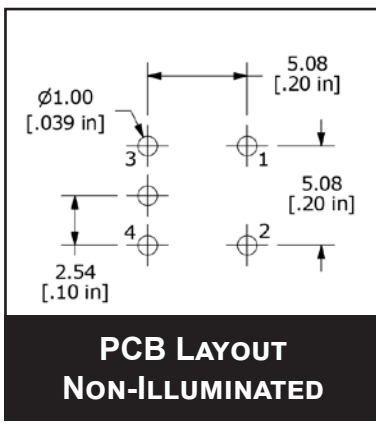
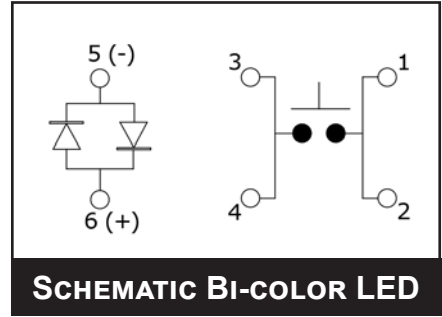
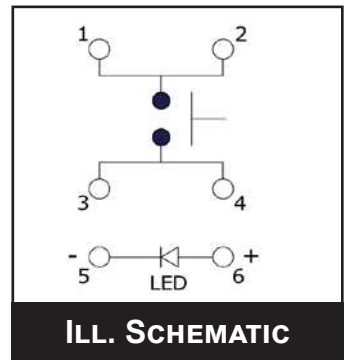
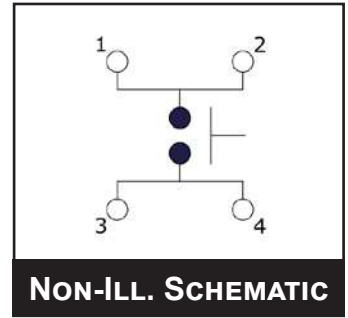
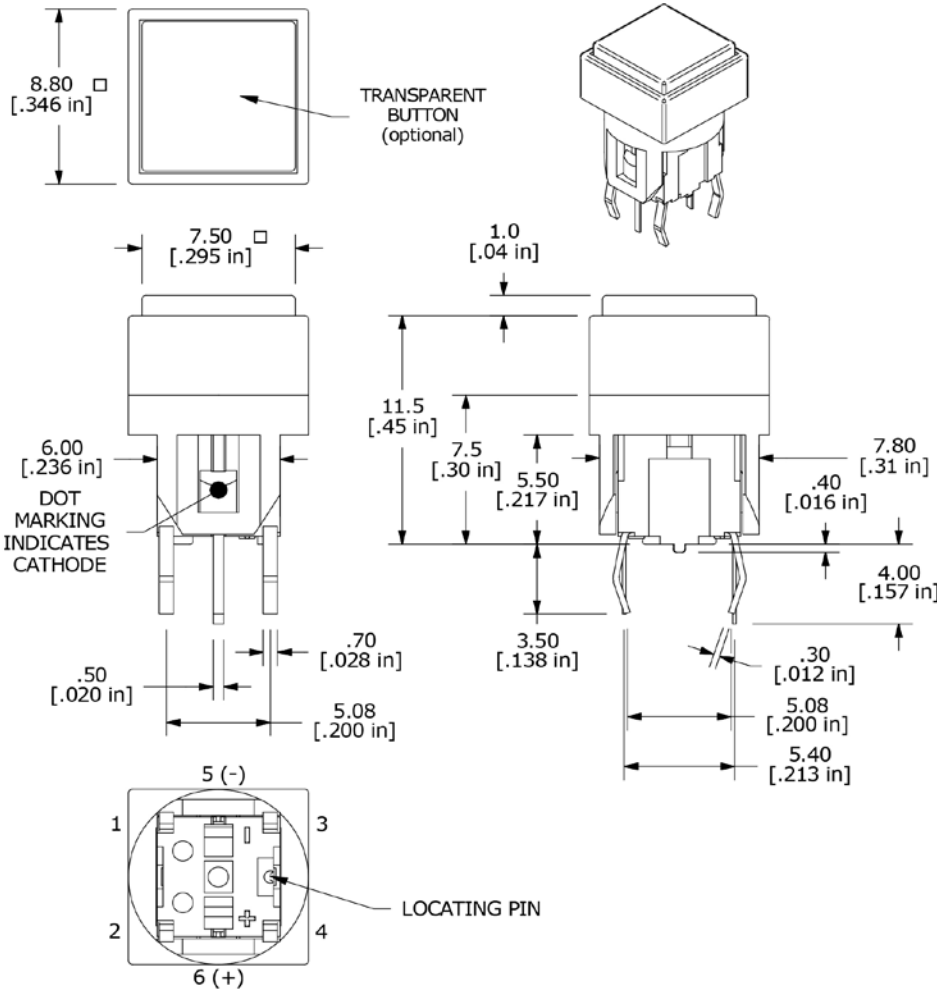
## S1 BUTTON - 7.5MM SQUARE SHORT





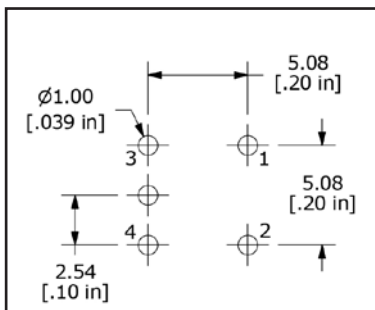
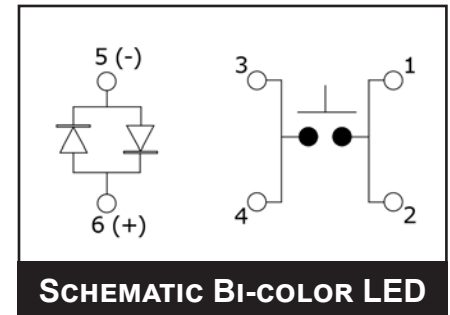
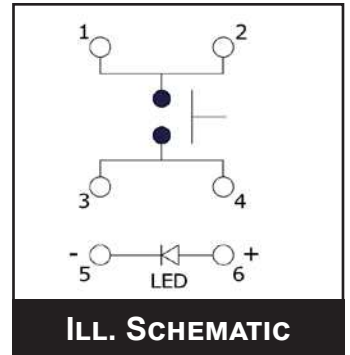
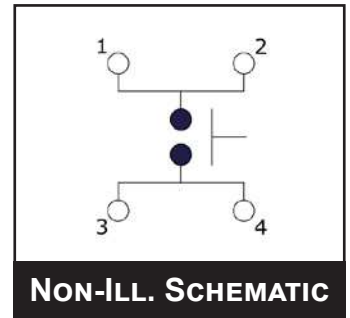
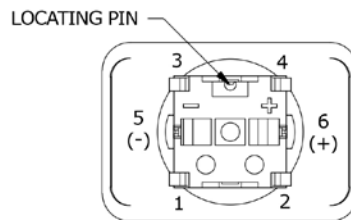
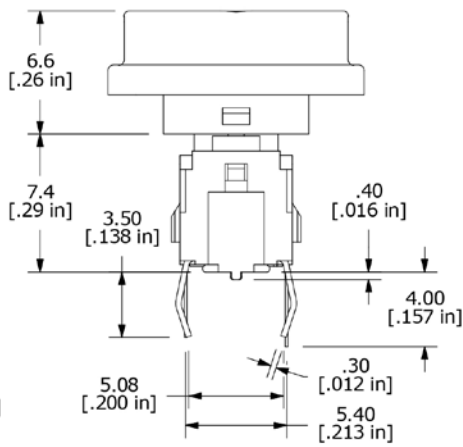
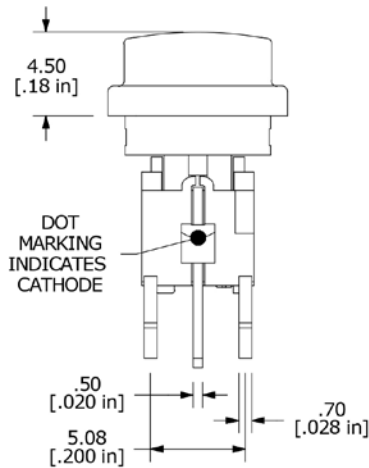
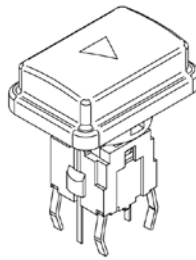
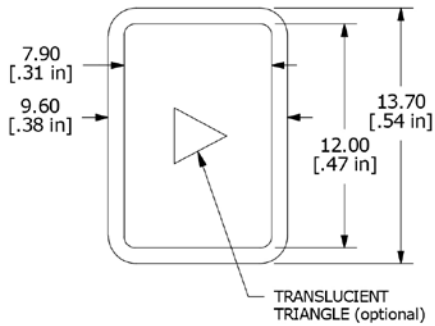
# TL1220 SERIES

## S2 BUTTON - 7.5 MM SQUARE TALL

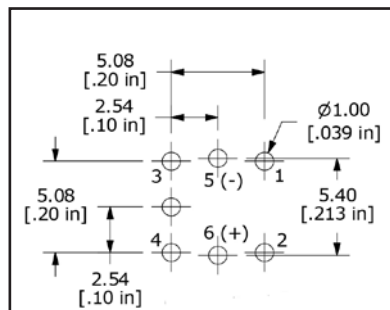


- ANTI-VANDAL SWITCHES
- DETECTOR SWITCHES
- DIP SWITCHES
- KEYLOCK SWITCHES
- NAVIGATION SWITCHES
- PUSHBUTTON SWITCHES
- ROCKER SWITCHES
- ROTARY SWITCHES
- SLIDE SWITCHES
- SNAP ACTION SWITCHES
- TACTILE SWITCHES
- TOGGLE SWITCHES
- CAP OPTIONS

## S3 BUTTON - 10x14MM RECTANGLE



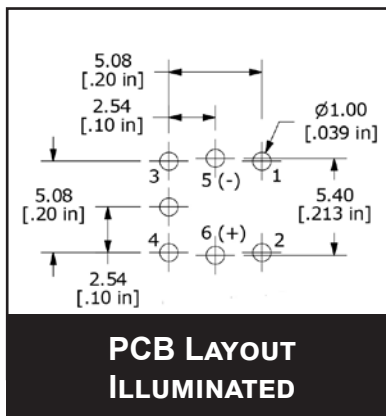
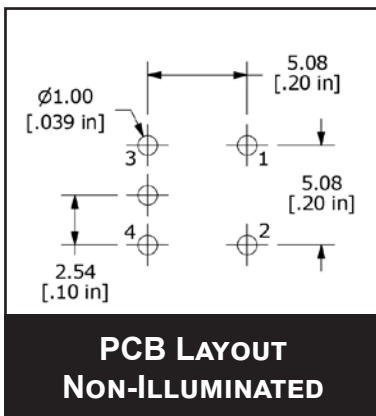
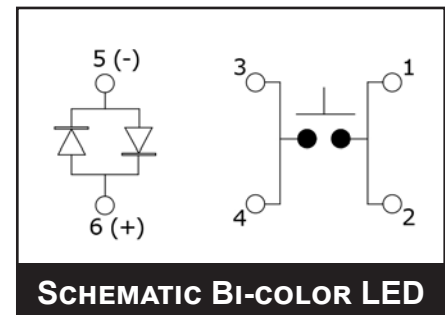
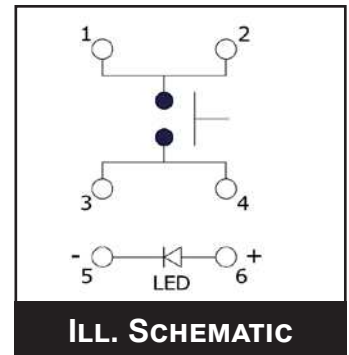
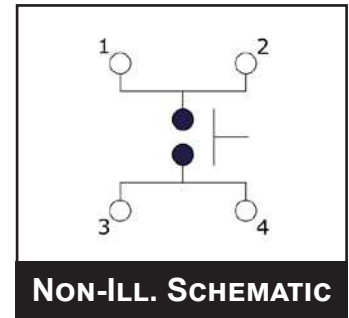
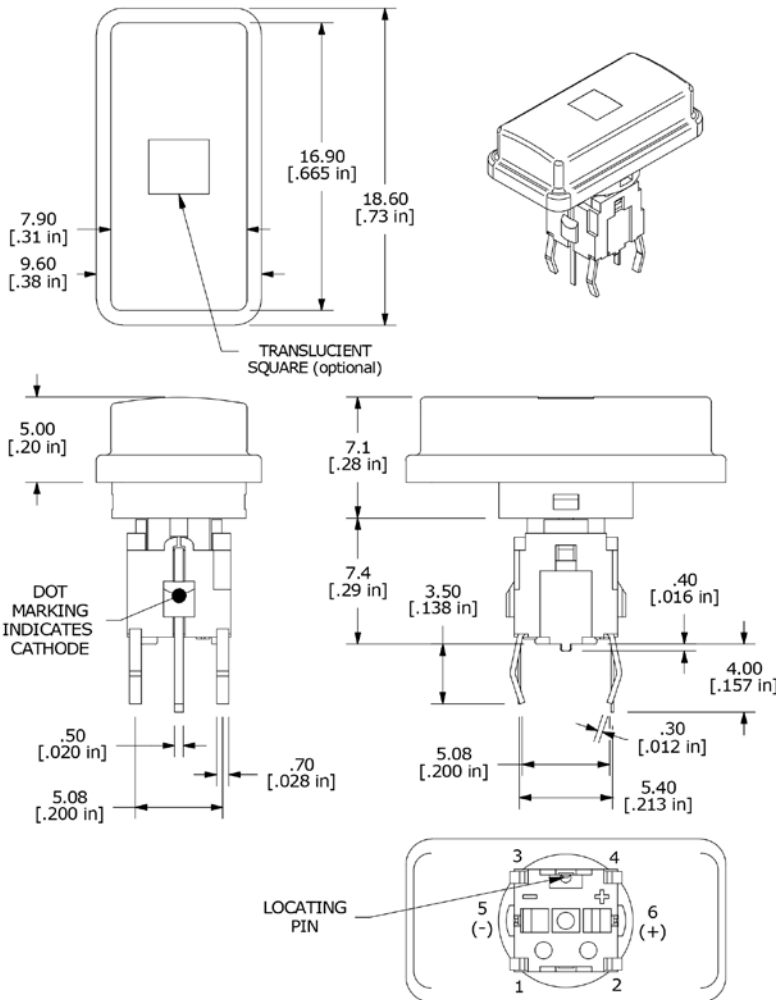
**PCB LAYOUT  
NON-ILLUMINATED**



**PCB LAYOUT  
ILLUMINATED**



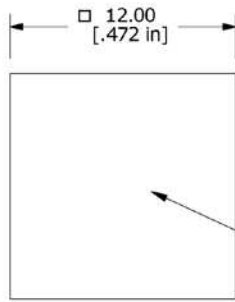
## S4 BUTTON - 10x19MM RECTANGLE



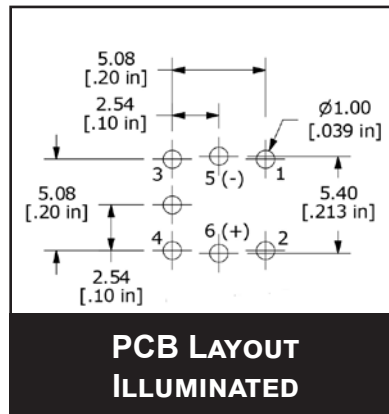
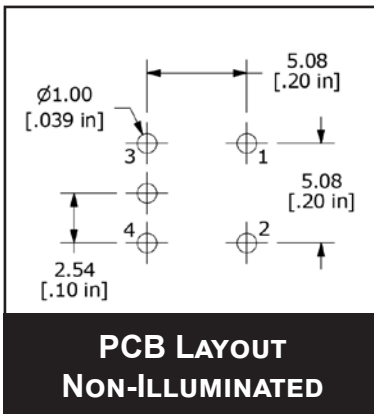
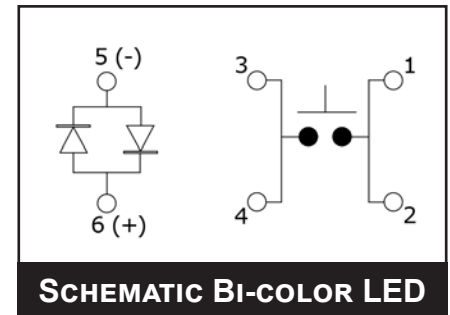
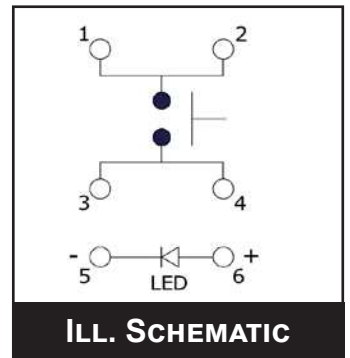
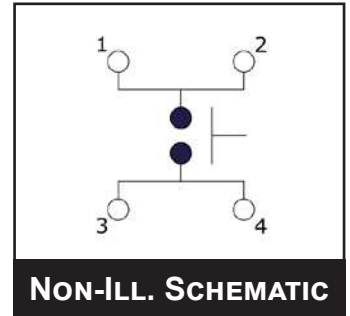
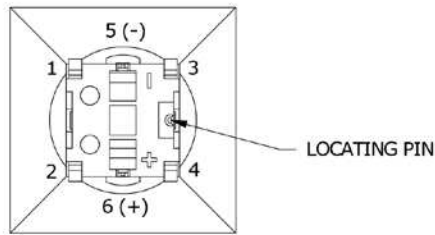
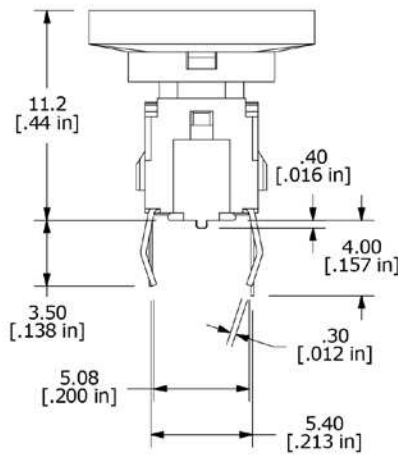
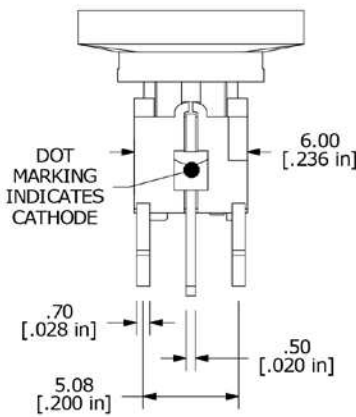
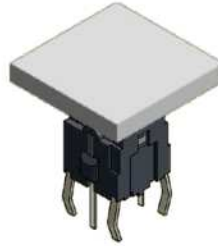
- ANTI-VANDAL SWITCHES
- DETECTOR SWITCHES
- DIP SWITCHES
- KEYLOCK SWITCHES
- NAVIGATION SWITCHES
- PUSHBUTTON SWITCHES
- ROCKER SWITCHES
- ROTARY SWITCHES
- SLIDE SWITCHES
- SNAP ACTION SWITCHES
- TACTILE SWITCHES
- TOGGLE SWITCHES
- CAP OPTIONS



## S5 BUTTON - 12MM SQUARE



WHITE CAP  
TRANSLUCENT  
TO SEE LED



## S6 BUTTON - 9.6x13.7MM RECTANGLE GREEN TRANSLUCENT

