



Chipsmall Limited consists of a professional team with an average of over 10 year of expertise in the distribution of electronic components. Based in Hongkong, we have already established firm and mutual-benefit business relationships with customers from,Europe,America and south Asia,supplying obsolete and hard-to-find components to meet their specific needs.

With the principle of “Quality Parts,Customers Priority,Honest Operation,and Considerate Service”,our business mainly focus on the distribution of electronic components. Line cards we deal with include Microchip,ALPS,ROHM,Xilinx,Pulse,ON,Everlight and Freescale. Main products comprise IC,Modules,Potentiometer,IC Socket,Relay,Connector.Our parts cover such applications as commercial,industrial, and automotives areas.

We are looking forward to setting up business relationship with you and hope to provide you with the best service and solution. Let us make a better world for our industry!



Contact us

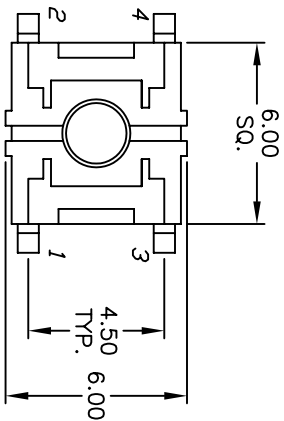
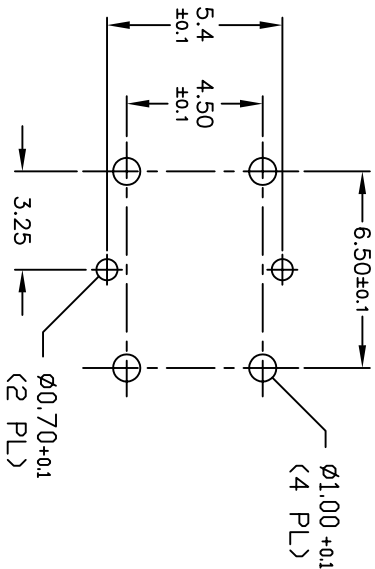
Tel: +86-755-8981 8866 Fax: +86-755-8427 6832

Email & Skype: info@chipsmall.com Web: www.chipsmall.com

Address: A1208, Overseas Decoration Building, #122 Zhenhua RD., Futian, Shenzhen, China



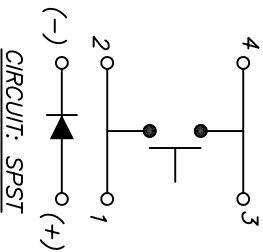
L.E.D INFO: GRN



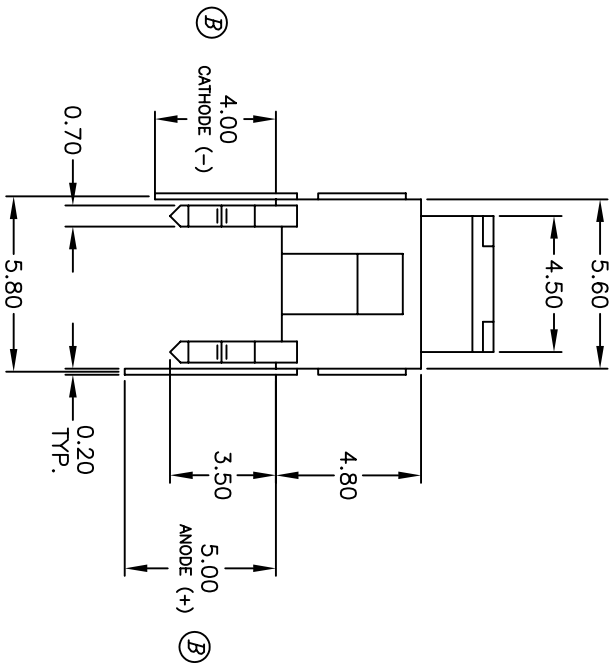
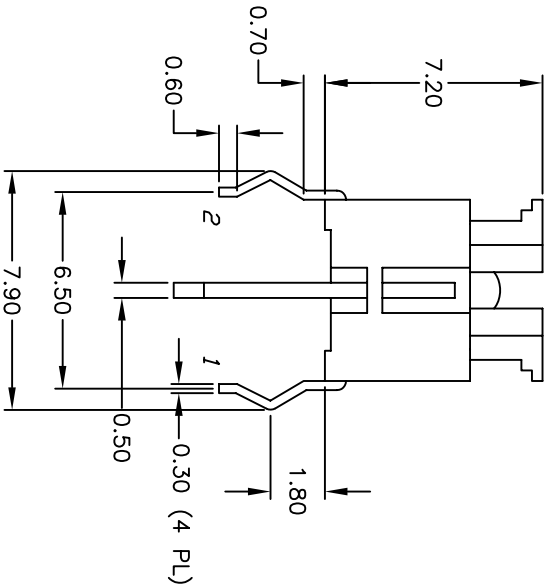
(B)
(C)

PARAMETERS	SYMBOL	MAX.	TYP.	UNITS
POWER DISSIPATION	P_d	70	-	mW
AVE FORWARD CURRENT	I_f	25	-	mA
REVERSE VOLTAGE	V_R	4	-	V
FORWARD VOLTAGE	V_f	2.8	-	V
PEAK EMISSION WAVELENGTH	λ_d	-	557	nm
REVERSE CURRENT	I_r	10	-	μA
LUMINOUS INTENSITY @ 20mA	I_v	-	3	mcd

RECOMMENDED P.C.B. LAYOUT



CONTACT CONFIGURATION



- NOTES:
1. ALL DIMENSIONS IN MM
 2. GENERAL TOLERANCE: X.XX=±0.4
X.XX=±0.25
 3. RATING: 50mA, 12VDC
 4. TRAVEL: 0.25 +0.2/0.1mm
 5. OPERATING FORCE: 160±50gf
 6. CONTACT RESISTANCE: 100mΩ-Ohms Max
 7. 2002/95/EC (ROHS) COMPLIANT

REV.	ECN No.	DESCRIPTION	DATE	CHKD
E	15286	DIM TD 5.4 FROM 5.6 ON P.C.B.	9/16/05	PH
D	15281	REV. DESCRIPTION, ROHS NOTE	9/14/05	PH
C	13388	REVISED SPECS	8/21/03	AR
B	11324	REVISED SPECS	7/20/01	CJB

THE INFORMATION CONTAINED IN THIS DOCUMENT IS PROPRIETARY TO E-SWITCH AND IS NOT TO BE COPIED OR TRANSMITTED		SCALE	DATE	DR	DWG	REV
TITLE		4:1	3/22/01	CJB	P010362	E
E-SWITCH®		TL1240GQ				