



Chipsmall Limited consists of a professional team with an average of over 10 year of expertise in the distribution of electronic components. Based in Hongkong, we have already established firm and mutual-benefit business relationships with customers from,Europe,America and south Asia,supplying obsolete and hard-to-find components to meet their specific needs.

With the principle of “Quality Parts,Customers Priority,Honest Operation,and Considerate Service”,our business mainly focus on the distribution of electronic components. Line cards we deal with include Microchip,ALPS,ROHM,Xilinx,Pulse,ON,Everlight and Freescale. Main products comprise IC,Modules,Potentiometer,IC Socket,Relay,Connector.Our parts cover such applications as commercial,industrial, and automotives areas.

We are looking forward to setting up business relationship with you and hope to provide you with the best service and solution. Let us make a better world for our industry!



Contact us

Tel: +86-755-8981 8866 Fax: +86-755-8427 6832

Email & Skype: info@chipsmall.com Web: www.chipsmall.com

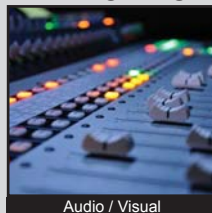
Address: A1208, Overseas Decoration Building, #122 Zhenhua RD., Futian, Shenzhen, China



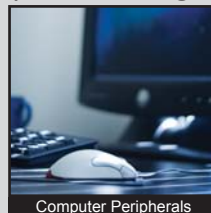
ANTI-VANDAL SWITCHES
 DETECTOR SWITCHES
 DIP SWITCHES
 KEYLOCK SWITCHES
 NAVIGATION SWITCHES
 PUSHBUTTON SWITCHES
 ROCKER SWITCHES
 ROTARY SWITCHES
 SLIDE SWITCHES
 SNAP ACTION SWITCHES
TACTILE SWITCHES
 TOGGLE SWITCHES
 CAP OPTIONS



APPLICATIONS / MARKETS



Audio / Visual



Computer Peripherals



Consumer Electronics



Instrumentation



Medical Equipment



Telecommunication

RoHS

SPECIFICATIONS

Electrical Rating: 50mA 12VDC
Life Expectancy: 500,000 Cycles
Contact Resistance: 100mΩ Max.
Insulation Resistance: 100MΩ Min. at 500VDC
Dielectric Strength: 500VDC for 1 Minute
Operating Temperature: -20°C to 70°C
Operating Force: 160gf ± 50gf
Travel: 0.20mm ± 0.10mm

Function: SPST, Off-(On), Momentary

FEATURES & BENEFITS

- 500,000 cycle life expectancy
- Multiple cap options
- Illumination options

PART NUMBER CONFIGURATOR

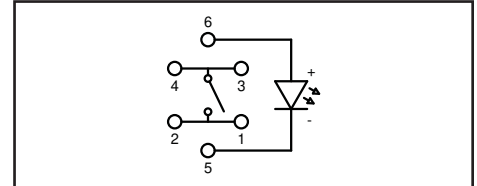
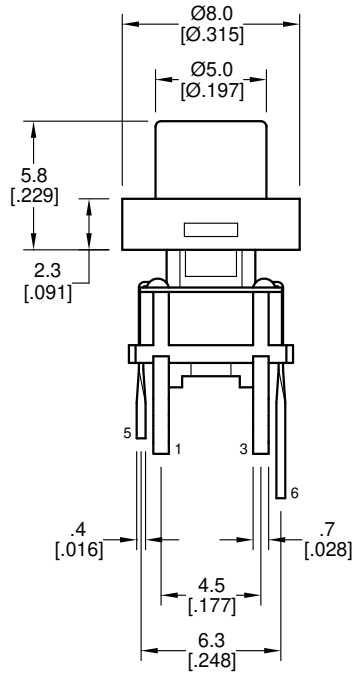
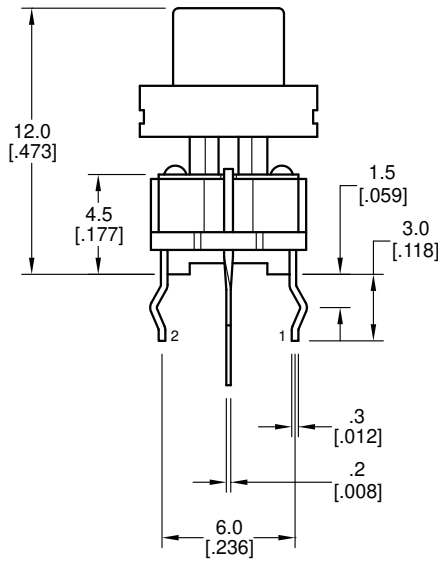
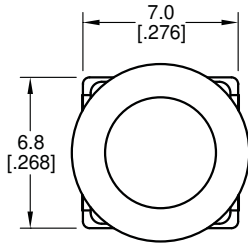
| Series | Model | LED Option | Contact Material | Cap Option | Cap Color |
|--------------------------|--------------------------|---|--------------------------|--|--|
| <input type="checkbox"/> | <input type="checkbox"/> | <input type="checkbox"/> | <input type="checkbox"/> | <input type="checkbox"/> | <input type="checkbox"/> |
| TL | 1265 | A - None B - Blue R - Red G - Green Y - Yellow W - White | Q - Silver | R - 8mm Diameter, Round Flat S - 5mm Diameter, Round T - 4.7mm Diameter, Round N - No Cap | BLK - Black *GRN - Green *RED - Red *GRY - Gray *YEL - Yellow **CLR - Clear |

* Available in "R" cap option only
 ** "CLR" cap not available in "R" cap option

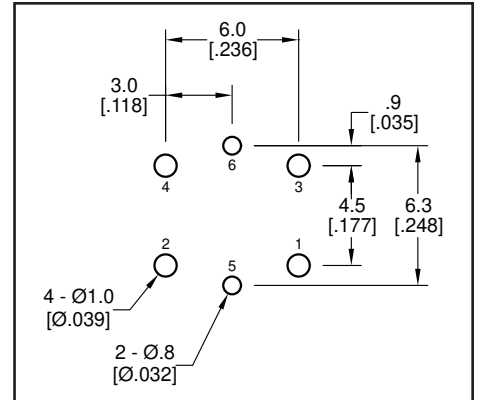
Specifications subject to change without notice



BODY DIMENSIONS



SCHEMATIC



PCB LAYOUT

LED SPECIFICATIONS

| LED Specifications | | | |
|--------------------|---------------------------|---|---------------------------------------|
| Color | Forward Current mA (Nom.) | Forward Voltage Voltage at 20mA (Typ-Max) | Luminous Intensity mcd (Typ.) at 20mA |
| Red | 20 | 1.95 - 2.5 | 1800 |
| Blue | 20 | 2.9 - 4.0 | 150 |
| Green | 20 | 2.1 - 2.5 | 800 |
| Yellow | 20 | 2.0 - 2.5 | 1800 |
| White | 20 | 3.2 - 4.0 | 150 |

