



Chipsmall Limited consists of a professional team with an average of over 10 year of expertise in the distribution of electronic components. Based in Hongkong, we have already established firm and mutual-benefit business relationships with customers from,Europe,America and south Asia,supplying obsolete and hard-to-find components to meet their specific needs.

With the principle of “Quality Parts,Customers Priority,Honest Operation,and Considerate Service”,our business mainly focus on the distribution of electronic components. Line cards we deal with include Microchip,ALPS,ROHM,Xilinx,Pulse,ON,Everlight and Freescale. Main products comprise IC,Modules,Potentiometer,IC Socket,Relay,Connector.Our parts cover such applications as commercial,industrial, and automotives areas.

We are looking forward to setting up business relationship with you and hope to provide you with the best service and solution. Let us make a better world for our industry!



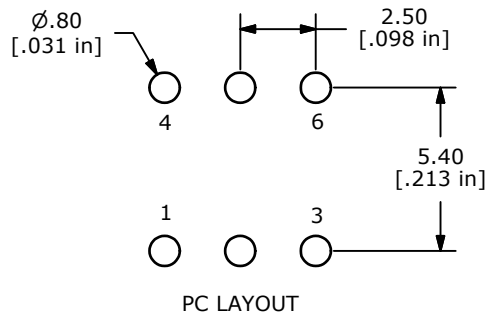
Contact us

Tel: +86-755-8981 8866 Fax: +86-755-8427 6832

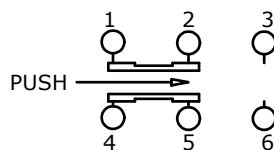
Email & Skype: info@chipsmall.com Web: www.chipsmall.com

Address: A1208, Overseas Decoration Building, #122 Zhenhua RD., Futian, Shenzhen, China



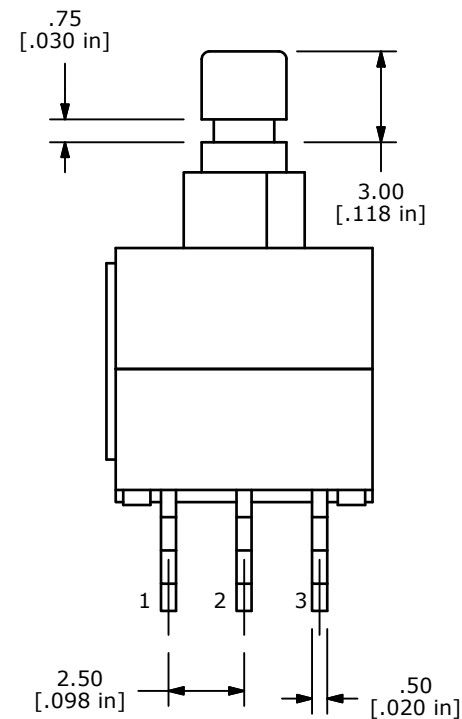
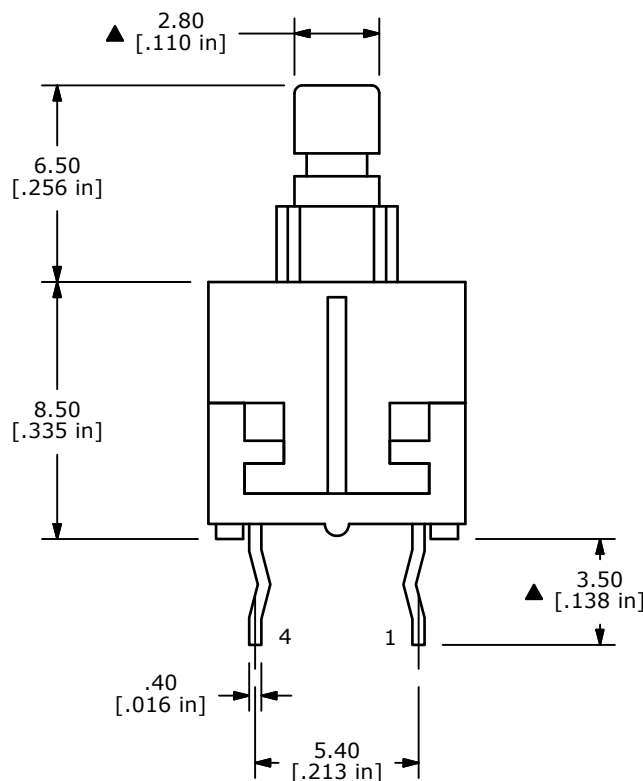
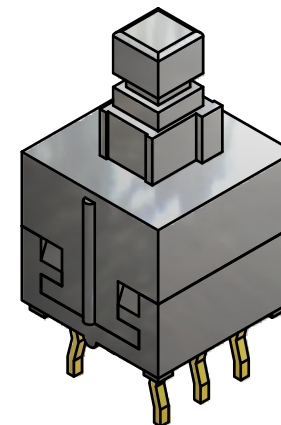
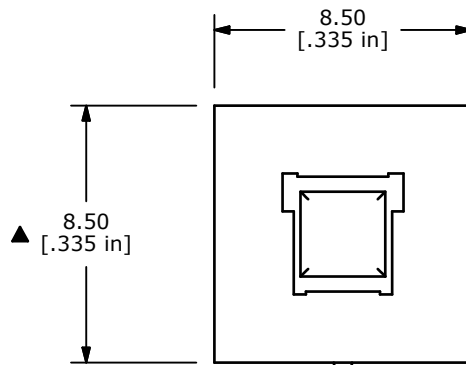


SWITCH FUNCTION	
POS. 1	POS. 2
ON	ON
2-1, 5-4	2-3, 5-6



BREAK BEFORE MAKE ▲

- NOTES:
1. ALL DIMENSIONS IN MM [INCH]
 2. GENERAL TOLERANCE: X.X±0.4
X.XX±0.25
 3. TERMINAL NUMBERS FOR REF. ONLY
 - ▲ 4. RATING: 0.1A @ 30VDC
 5. TRAVEL: 2.50±0.38mm
 6. OPERATING FORCE: 220±50gf
 7. ELECTRICAL LIFE: 10,000 CYCLES
 8. ▲ DENOTES CRITICAL PARAMETER
 9. 2002/95/EC (RoHS) COMPLIANT



E	19697	CHANGE TERMINAL NUMBERS	2/21/11	BGL
D	19369	REMOVE () FROM FUNCTION BLOCK	10/20/10	BMA
C	19364	CORRECT SWITCH FUNCTION BLOCK	10/19/10	BMA
B	18018	Redrawn and chg force from 180 to 220	3/17/08	rc
REV	PCR NO	DESCRIPTION	DATE	BY

THE INFORMATION CONTAINED IN THIS DOCUMENT IS PROPRIETARY TO E-SWITCH AND IS NOT TO BE COPIED OR TRANSFERRED



TITLE TL2201EEZB

SCALE	DATE	DR	DWG	REV
2:1	3/17/2008	rc	P010773	E