



Chipsmall Limited consists of a professional team with an average of over 10 year of expertise in the distribution of electronic components. Based in Hongkong, we have already established firm and mutual-benefit business relationships with customers from,Europe,America and south Asia,supplying obsolete and hard-to-find components to meet their specific needs.

With the principle of “Quality Parts,Customers Priority,Honest Operation,and Considerate Service”,our business mainly focus on the distribution of electronic components. Line cards we deal with include Microchip,ALPS,ROHM,Xilinx,Pulse,ON,Everlight and Freescale. Main products comprise IC,Modules,Potentiometer,IC Socket,Relay,Connector.Our parts cover such applications as commercial,industrial, and automotives areas.

We are looking forward to setting up business relationship with you and hope to provide you with the best service and solution. Let us make a better world for our industry!



## Contact us

Tel: +86-755-8981 8866 Fax: +86-755-8427 6832

Email & Skype: info@chipsmall.com Web: www.chipsmall.com

Address: A1208, Overseas Decoration Building, #122 Zhenhua RD., Futian, Shenzhen, China

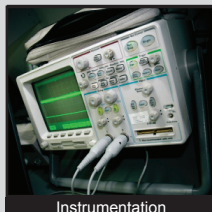
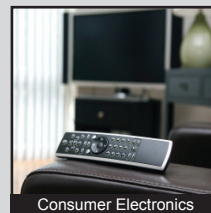
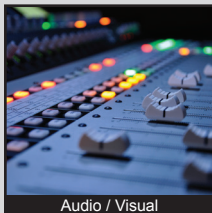


# TL3265 SERIES TACT SWITCH

ANTI-VANDAL SWITCHES  
 DETECTOR SWITCHES  
 DIP SWITCHES  
 KEYLOCK SWITCHES  
 NAVIGATION SWITCHES  
 PUSHBUTTON SWITCHES  
 ROCKER SWITCHES  
 ROTARY SWITCHES  
 SLIDE SWITCHES  
 SNAP ACTION SWITCHES  
 TACTILE SWITCHES  
 TOGGLE SWITCHES  
 CAP OPTIONS



## APPLICATIONS / MARKETS



**RoHS**

## SPECIFICATIONS

**Electrical Rating:** 50mA @ 12VDC  
**Life Expectancy:** 500,000 Cycles  
**Contact Resistance:** 100mΩ Max.  
**Insulation Resistance:** 100MΩ Min. at 500VDC  
**Dielectric Strength:** 500VAC for 1 min.  
**Operating Temperature:** -40°C to 85°C  
**Operating Force:** 160 gf  
**Travel:** 0.20mm  
**Function:** SPST, Off-(On), Momentary

## FEATURES & BENEFITS

- 500,000 cycle life expectancy
- Multiple cap options
- Surface mount design
- Illumination options

## PART NUMBER CONFIGURATOR

Series	Model	LED Option	Contact Material	Cap Option	Cap Color
<input type="text" value="TL"/>	<input type="text" value="3265"/>	<input type="text" value=""/>	<input type="text" value="Q"/>	<input type="text" value=""/>	<input type="text" value=""/>
		B - Blue R - Red G - Green Y - Yellow W - White RG - Red/Green Bi-Color	Q - Silver	S - 5mm Diameter, Round T - 4.7mm Diameter, Round N - No Cap	* CLR - Clear N - No Cap



*\*All caps are shipped bulk*

*Specifications subject to change without notice 4.23.2018*



**E-SWITCH®**

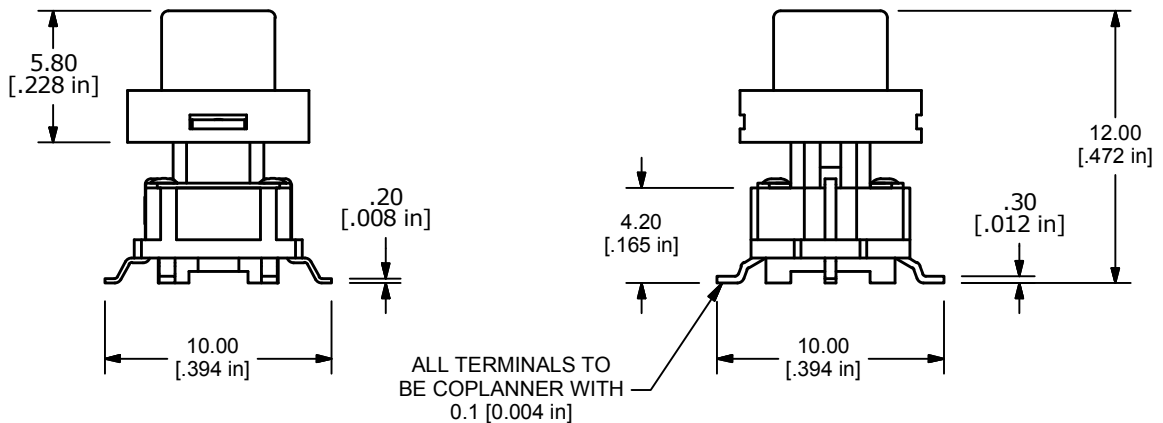
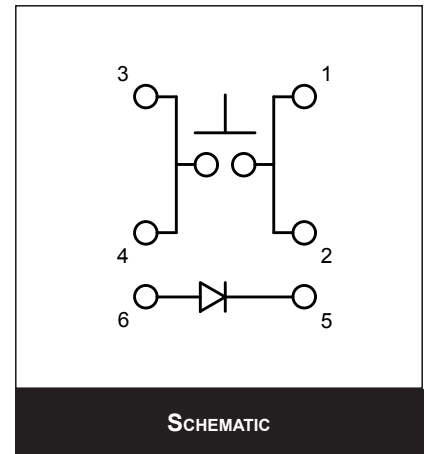
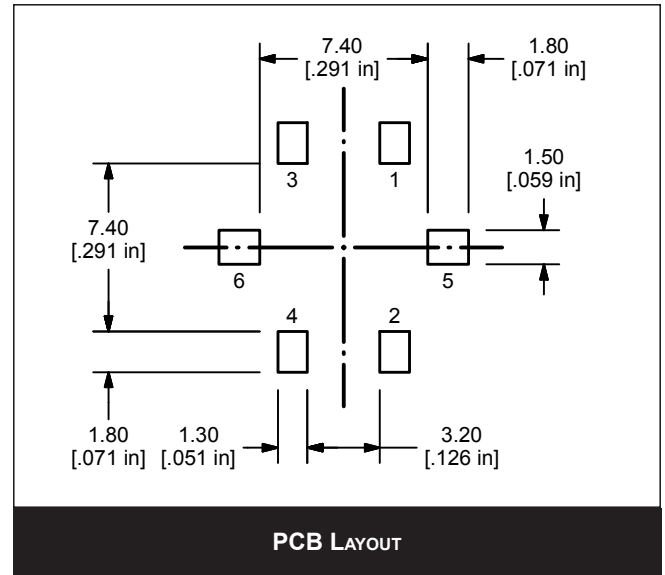
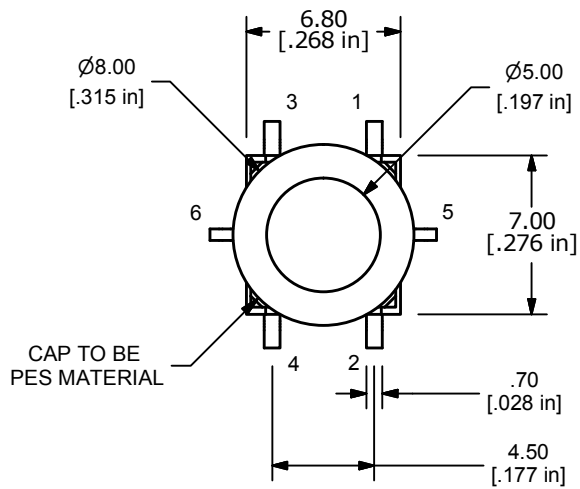
www.e-switch.com

800.867.2717

1

# TL3265 SERIES TACT SWITCH

## BODY DIMENSIONS/ CAP OPTION



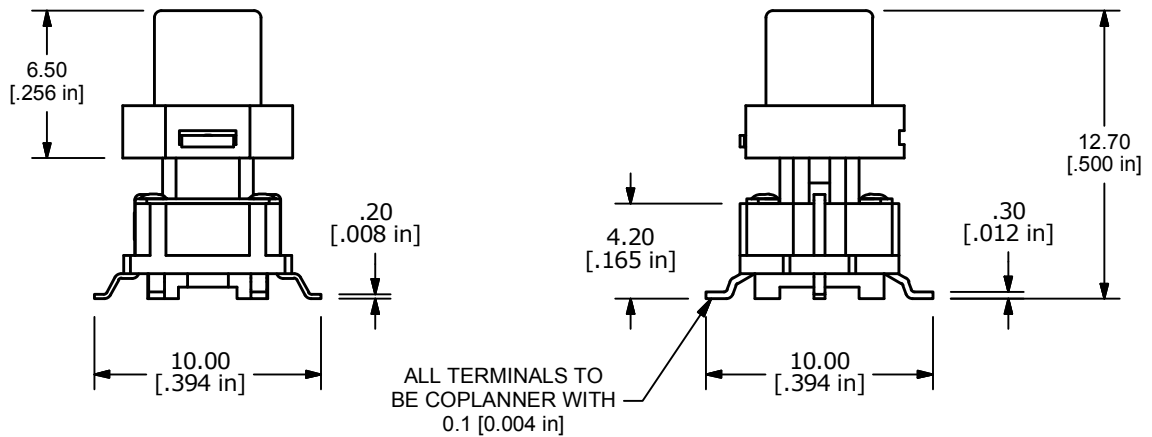
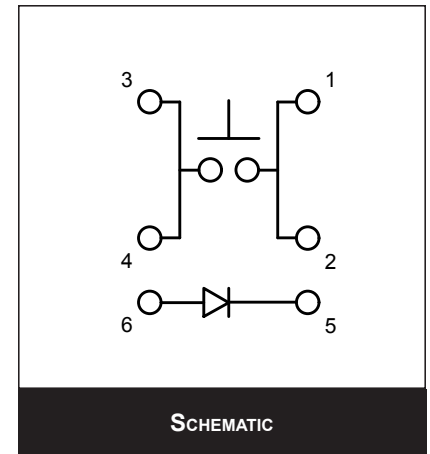
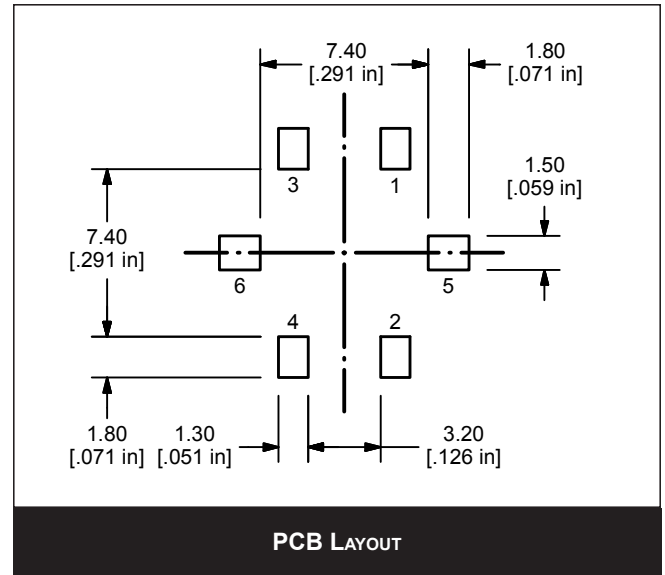
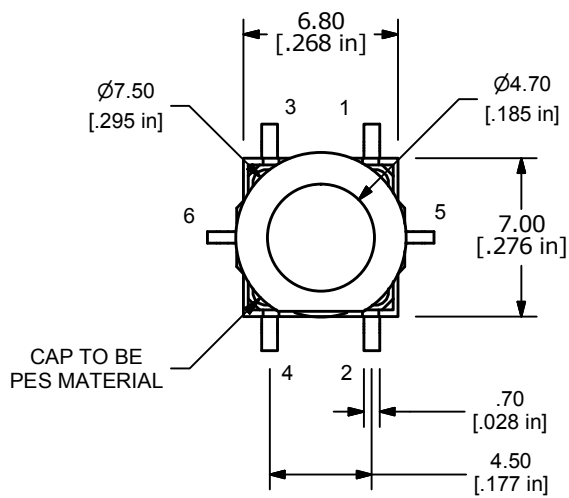
S - CAP OPTION



# TL3265 SERIES TACT SWITCH

## BODY DIMENSIONS/ CAP OPTION

- ANTI-VANDAL SWITCHES
- DETECTOR SWITCHES
- DIP SWITCHES
- KEYLOCK SWITCHES
- NAVIGATION SWITCHES
- PUSHBUTTON SWITCHES
- ROCKER SWITCHES
- ROTARY SWITCHES
- SLIDE SWITCHES
- SNAP ACTION SWITCHES
- TACTILE SWITCHES**
- TOGGLE SWITCHES
- CAP OPTIONS

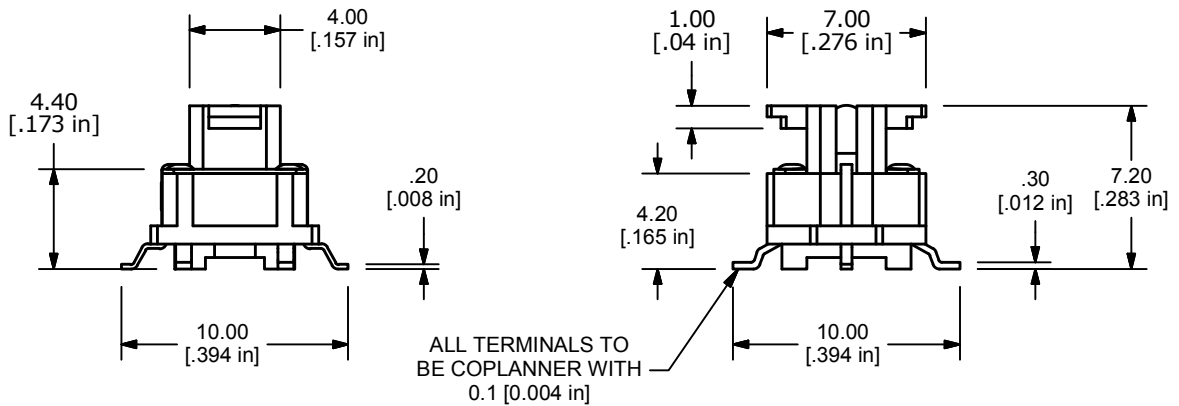
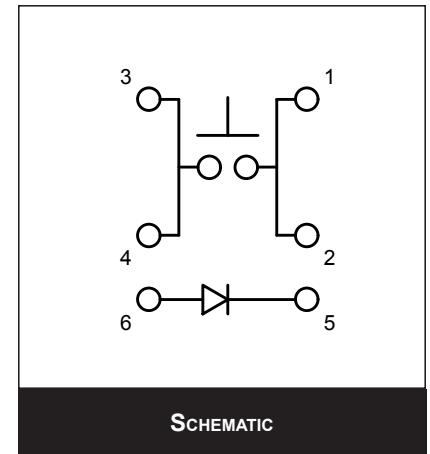
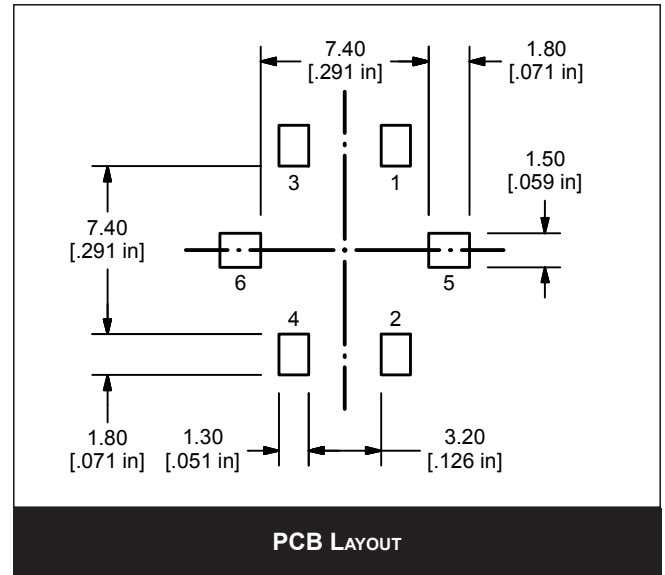
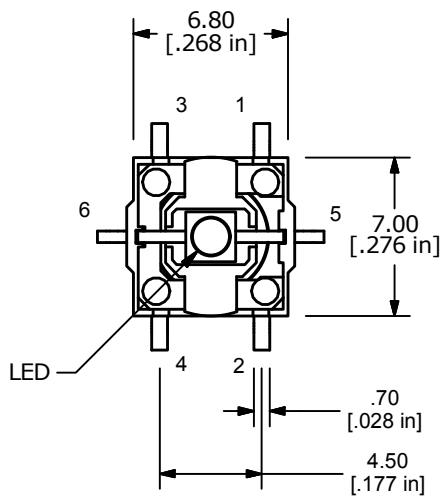


T - CAP OPTION



# TL3265 SERIES TACT SWITCH

## BODY DIMENSIONS/ CAP OPTION



N - CAP OPTION

- ANTI-VANDAL SWITCHES
- DETECTOR SWITCHES
- DIP SWITCHES
- KEYLOCK SWITCHES
- NAVIGATION SWITCHES
- PUSHBUTTON SWITCHES
- ROCKER SWITCHES
- ROTARY SWITCHES
- SLIDE SWITCHES
- SNAP ACTION SWITCHES
- TACTILE SWITCHES
- TOGGLE SWITCHES
- CAP OPTIONS

