



Chipsmall Limited consists of a professional team with an average of over 10 year of expertise in the distribution of electronic components. Based in Hongkong, we have already established firm and mutual-benefit business relationships with customers from,Europe,America and south Asia,supplying obsolete and hard-to-find components to meet their specific needs.

With the principle of “Quality Parts,Customers Priority,Honest Operation,and Considerate Service”,our business mainly focus on the distribution of electronic components. Line cards we deal with include Microchip,ALPS,ROHM,Xilinx,Pulse,ON,Everlight and Freescale. Main products comprise IC,Modules,Potentiometer,IC Socket,Relay,Connector.Our parts cover such applications as commercial,industrial, and automotives areas.

We are looking forward to setting up business relationship with you and hope to provide you with the best service and solution. Let us make a better world for our industry!



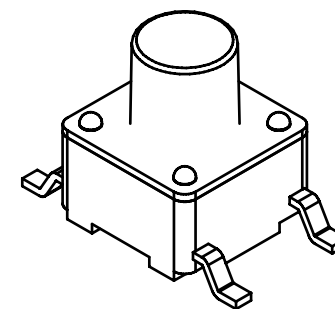
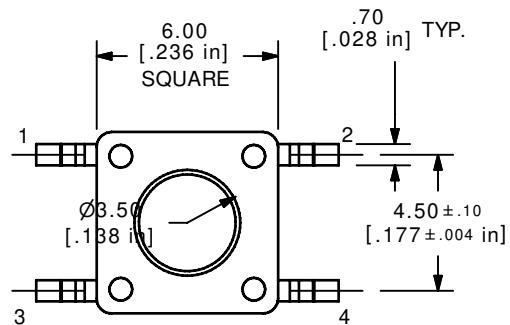
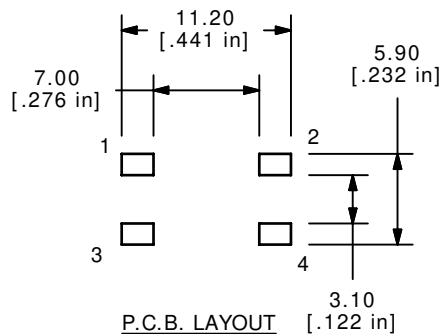
## Contact us

Tel: +86-755-8981 8866 Fax: +86-755-8427 6832

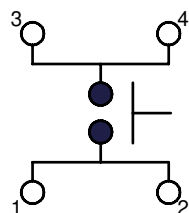
Email & Skype: info@chipsmall.com Web: www.chipsmall.com

Address: A1208, Overseas Decoration Building, #122 Zhenhua RD., Futian, Shenzhen, China

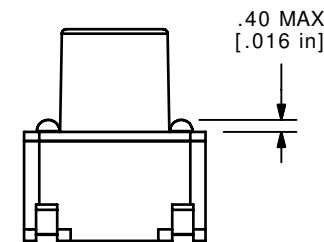
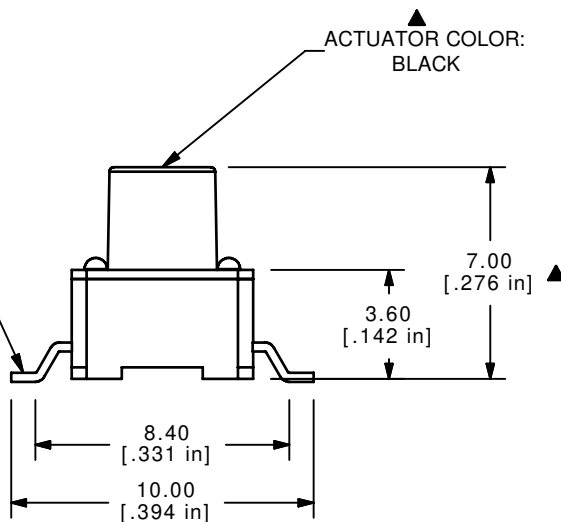




ISOMETRIC



TERMINALS TO BE COPLANER WITHIN 0.10mm



- NOTES:
1. ALL DIMENSIONS IN MM
  2. GENERAL TOLERANCE: X.X= ± 0.4  
X.XX= ± 0.25
  3. TERM. NOS. FOR REFERENCE ONLY.
  4. RATING: 50VDC, 50mA
  - ▲ 5. OPERATING FORCE: 160 ± 50 GF
  6. TRAVEL: 0.25MM +0.2/-0.1MM
  7. CONTACT RESISTANCE: 100 MILLI OHMS MAX. (INITIAL)
  8. MECHANICAL/ELECTRICAL LIFE 100,000 CYCLES MIN.
  - ▲ 9. SILVER CONTACTS
  - ▲ 10. PACKAGE: 750 PCS PER TAPE AND REEL
  11. ▲ DENOTES CRITICAL PARAMETER
  12. 2002/95/EC (ROHS) COMPLIANT



C	20775	REVISED AND REDRAWN	9/25/12	RC
REV	PCR NO	DESCRIPTION	DATE	BY

TITLE TL3301FF160QG				
SCALE	DATE	DR	DWG	REV
4:1	9/25/2012	RC	P010536	C

THE INFORMATION CONTAINED IN THIS DOCUMENT IS PROPRIETARY TO E-SWITCH AND IS NOT TO BE COPIED OR TRANSFERRED