



Chipsmall Limited consists of a professional team with an average of over 10 year of expertise in the distribution of electronic components. Based in Hongkong, we have already established firm and mutual-benefit business relationships with customers from,Europe,America and south Asia,supplying obsolete and hard-to-find components to meet their specific needs.

With the principle of "Quality Parts,Customers Priority,Honest Operation,and Considerate Service",our business mainly focus on the distribution of electronic components. Line cards we deal with include Microchip,ALPS,ROHM,Xilinx,Pulse,ON,Everlight and Freescale. Main products comprise IC,Modules,Potentiometer,IC Socket,Relay,Connector.Our parts cover such applications as commercial,industrial, and automotives areas.

We are looking forward to setting up business relationship with you and hope to provide you with the best service and solution. Let us make a better world for our industry!



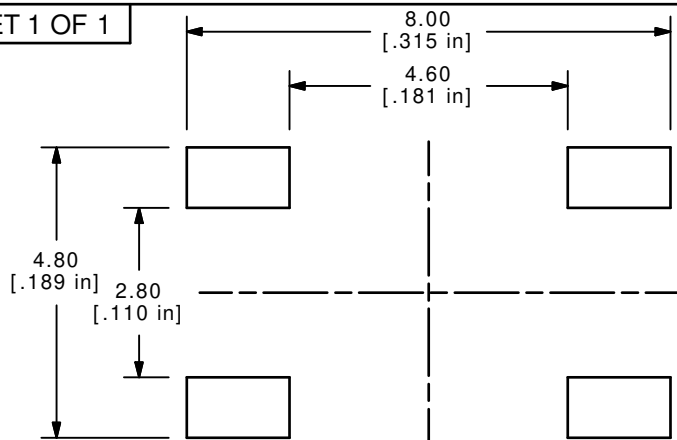
Contact us

Tel: +86-755-8981 8866 Fax: +86-755-8427 6832

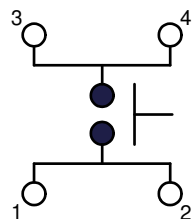
Email & Skype: info@chipsmall.com Web: www.chipsmall.com

Address: A1208, Overseas Decoration Building, #122 Zhenhua RD., Futian, Shenzhen, China





P.C. LAYOUT

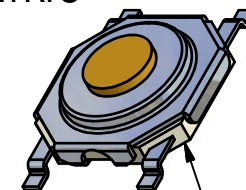


CIRCUIT: SPST

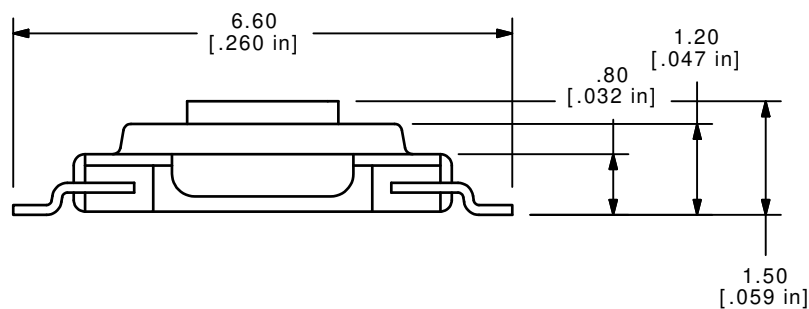
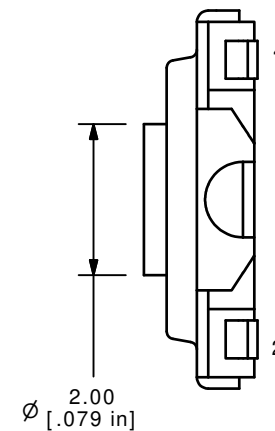
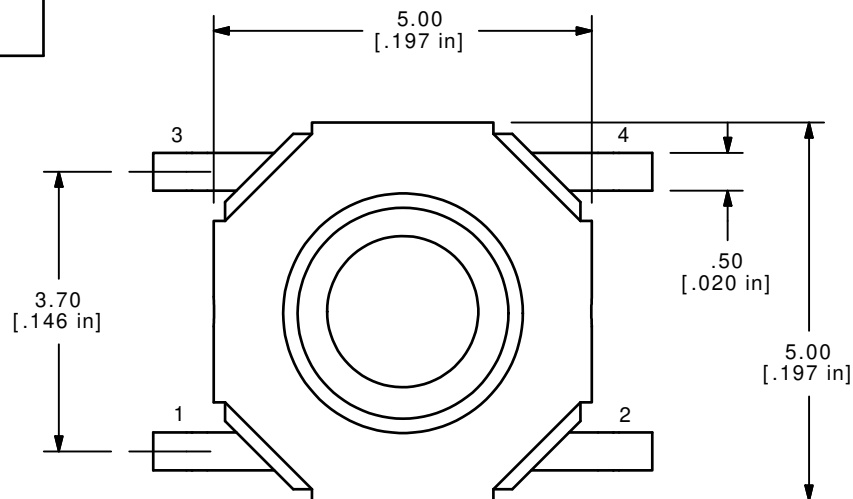
NOTES:

1. ALL DIMENSIONS IN MM
2. GENERAL TOLERANCE: X.X= ±0.4
X.XX= ±0.25
3. TERM. NOS. FOR REFERENCE ONLY.
4. RATING: 12VDC @50 MILLI-AMPS
- ▲ 5. OPERATING FORCE: 260 ±50 gms
6. TRAVEL: 0.25mm +0.1/-0.2
7. MECHANICAL/ ELECTRICAL LIFE 100,000 CYCLES MIN.
- ▲ 8. CONTACT MATERIAL: SILVER
9. CONTACT RESISTANCE: 100 m Ohms max.
- ▲ 10. PACKAGE: TAPE AND REEL, 4000 PER REEL
- 11▲ DENOTES CRITICAL PARAMETER
12. 2002/95/EC (ROHS) COMPLIANT

ISOMETRIC



BASE COLOR:
IVORY



F	19531	UPDATE DIMENSIONS	12/15/10	BMA
E	18267	COVER TO ROUND, BASE TO IVORY	10/3/08	BLR
D	16681	UPDATED NOTES	11/21/2006	TN
C	14668	REVISED AND REDRAWN	2/4/05	AR
REV	PCR NO	DESCRIPTION	DATE	BY

THE INFORMATION CONTAINED IN THIS DOCUMENT IS PROPRIETARY TO E-SWITCH AND IS NOT TO BE COPIED OR TRANSFERRED



TITLE TL3342F260QG

SCALE	DATE	DR	DWG	REV
8:1	10/3/2008	BLR	P010590	F