



Chipsmall Limited consists of a professional team with an average of over 10 year of expertise in the distribution of electronic components. Based in Hongkong, we have already established firm and mutual-benefit business relationships with customers from,Europe,America and south Asia,supplying obsolete and hard-to-find components to meet their specific needs.

With the principle of “Quality Parts,Customers Priority,Honest Operation,and Considerate Service”,our business mainly focus on the distribution of electronic components. Line cards we deal with include Microchip,ALPS,ROHM,Xilinx,Pulse,ON,Everlight and Freescale. Main products comprise IC,Modules,Potentiometer,IC Socket,Relay,Connector.Our parts cover such applications as commercial,industrial, and automotives areas.

We are looking forward to setting up business relationship with you and hope to provide you with the best service and solution. Let us make a better world for our industry!



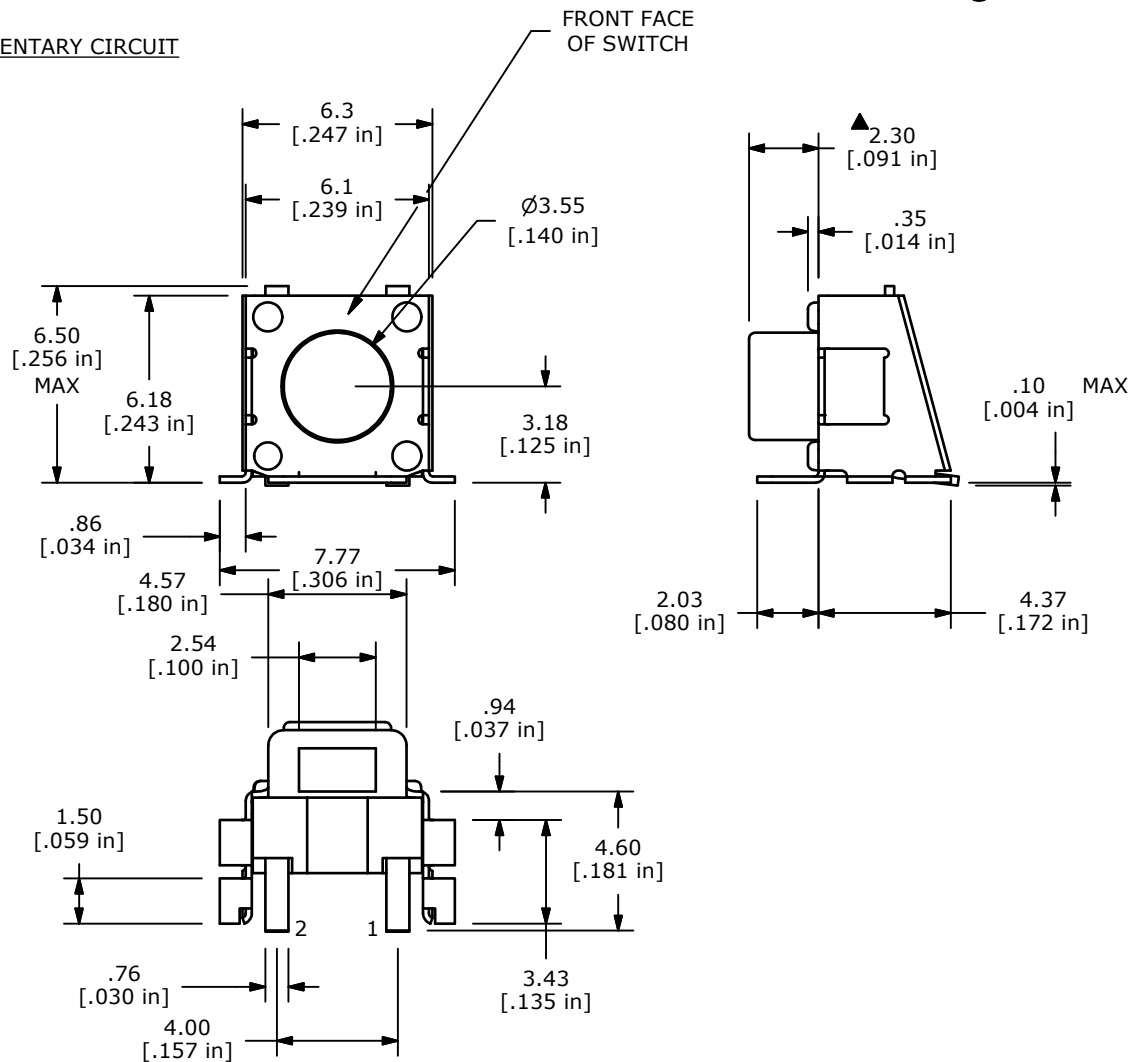
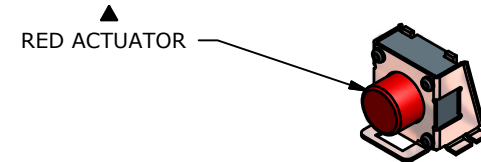
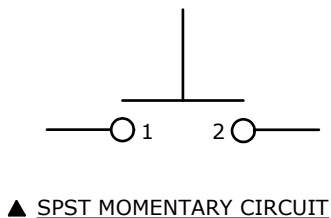
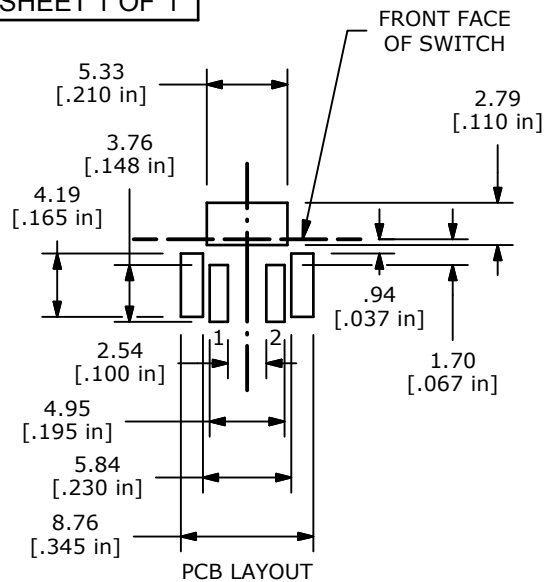
## Contact us

Tel: +86-755-8981 8866 Fax: +86-755-8427 6832

Email & Skype: info@chipsmall.com Web: www.chipsmall.com

Address: A1208, Overseas Decoration Building, #122 Zhenhua RD., Futian, Shenzhen, China





- NOTES:
1. ALL DIMENSIONS IN MM [INCH]
  2. GENERAL TOLERANCE: X.X=±0.4  
X.XX=±0.25
  3. CONTACT RATING: 50mA @ 12VDC
  4. CONTACT RESISTANCE: 100mΩ MAX.
  5. INSULATION RESISTANCE: 100MΩ MIN @ 500VDC.
  - ▲ 6. OPERATING FORCE: 260 ± 50gf
  7. TRAVEL: 0.15 mm
  8. OPERATING TEMPERATURE: -25°C TO + 70°C
  9. OPERATING LIFE: 200,000 CYCLES
  - ▲ 10. CONTACTS: SILVER
  11. ▲ DENOTES CRITICAL PARAMETERS
  12. 2002/95/EC (ROHS) COMPLIANT
  13. PARTS TO BE PACKAGED IN TAPE AND REEL



TITLE TL3360AF260Q

A	21887	INITIAL RELEASE	6/15/15	rc
REV	PCR NO	DESCRIPTION	DATE	BY

SCALE	DATE	DR	DWG	REV
4:1	6/15/2015	rc	N330004	A

THE INFORMATION CONTAINED IN THIS DOCUMENT IS PROPRIETARY TO E-SWITCH AND IS NOT TO BE COPIED OR TRANSFERRED