



Chipsmall Limited consists of a professional team with an average of over 10 year of expertise in the distribution of electronic components. Based in Hongkong, we have already established firm and mutual-benefit business relationships with customers from,Europe,America and south Asia,supplying obsolete and hard-to-find components to meet their specific needs.

With the principle of “Quality Parts,Customers Priority,Honest Operation,and Considerate Service”,our business mainly focus on the distribution of electronic components. Line cards we deal with include Microchip,ALPS,ROHM,Xilinx,Pulse,ON,Everlight and Freescale. Main products comprise IC,Modules,Potentiometer,IC Socket,Relay,Connector.Our parts cover such applications as commercial,industrial, and automotives areas.

We are looking forward to setting up business relationship with you and hope to provide you with the best service and solution. Let us make a better world for our industry!



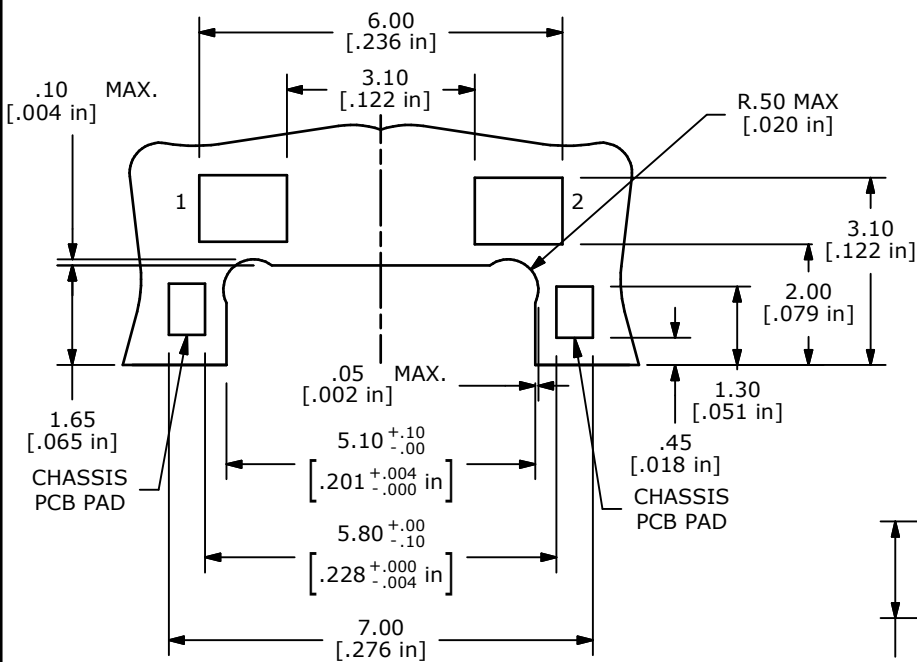
## Contact us

Tel: +86-755-8981 8866 Fax: +86-755-8427 6832

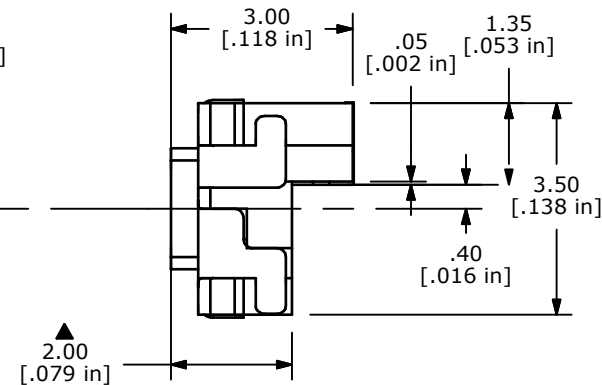
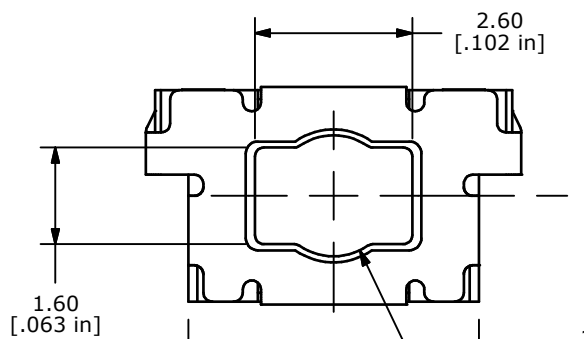
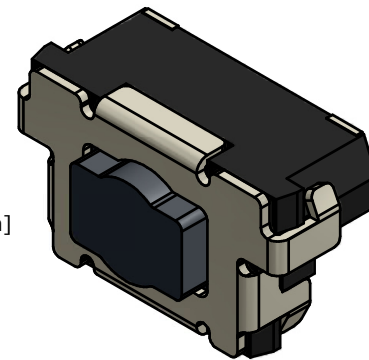
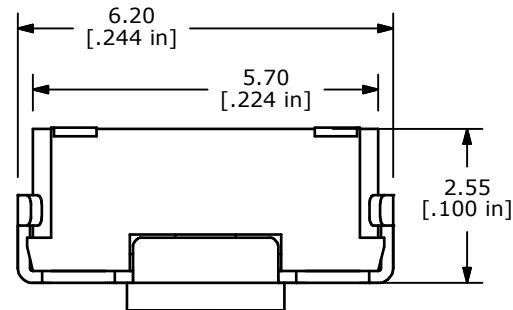
Email & Skype: info@chipsmall.com Web: www.chipsmall.com

Address: A1208, Overseas Decoration Building, #122 Zhenhua RD., Futian, Shenzhen, China



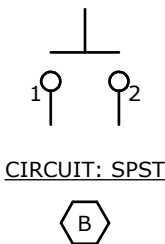


P.C.B. LAYOUT

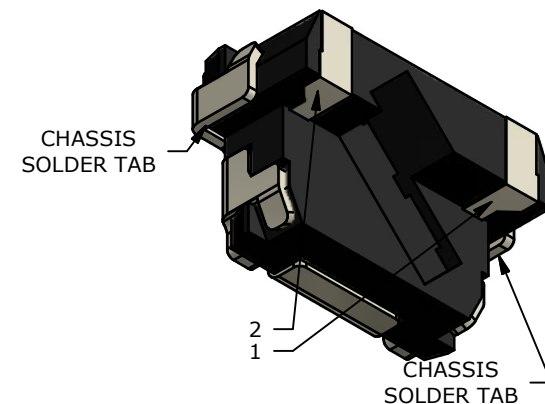
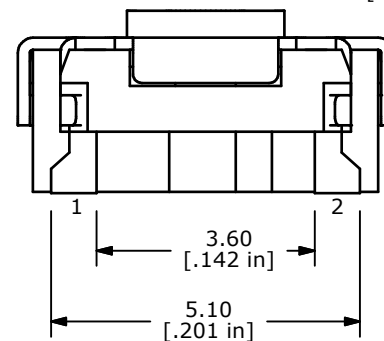


NOTES

1. ALL DIMENSIONS IN MM [INCH]
2. GENERAL TOLERANCE: X.X=±0.4  
X.XX=±0.25
3. TERMINAL NUMBERS FOR REF. ONLY.
- ▲ 4. OPERATING FORCE: 120±50gf
5. OPERATING LIFE: 1,000,000 CYCLES
6. TRAVEL: 0.15±0.1mm
- ▲ 7. CONTACT RATING: 12 VDC, 50mA
8. CONTACT RESISTANCE: 100m Ω MAX INITIAL
9. INSULATION RESISTANCE: 100M Ω MIN. @ 500 VDC
10. BOUNCE MAX: 10m SEC MAX
11. DIELECTRIC STRENGTH: 250 VAC FOR 1 MINUTE
12. OPERATING TEMPERATURE: -40°C TO 85°C
13. STORAGE TEMPERATURE: -40°C TO 85°C
14. PACKAGING: REEL 2000 PCS. PER
15. ▲ DENOTES CRITICAL PARAMETER
16. 2002/95/EC (ROHS) COMPLIANT



CIRCUIT: SPST



B	20956	ADD CIRCUIT SCHEMATIC	1/8/13	EBP
A	19858	RELEASE TO PRODUCTION	04/18/11	RC
REV	PCR NO	DESCRIPTION	DATE	BY

TITLE TL4100AF120QG				
SCALE	DATE	DR	DWG	REV
8 = 1	4/18/2011	rc	P004000	B

THE INFORMATION CONTAINED IN THIS DOCUMENT IS PROPRIETARY TO E-SWITCH AND IS NOT TO BE COPIED OR TRANSFERRED