



Chipsmall Limited consists of a professional team with an average of over 10 year of expertise in the distribution of electronic components. Based in Hongkong, we have already established firm and mutual-benefit business relationships with customers from,Europe,America and south Asia,supplying obsolete and hard-to-find components to meet their specific needs.

With the principle of “Quality Parts,Customers Priority,Honest Operation,and Considerate Service”,our business mainly focus on the distribution of electronic components. Line cards we deal with include Microchip,ALPS,ROHM,Xilinx,Pulse,ON,Everlight and Freescale. Main products comprise IC,Modules,Potentiometer,IC Socket,Relay,Connector.Our parts cover such applications as commercial,industrial, and automotives areas.

We are looking forward to setting up business relationship with you and hope to provide you with the best service and solution. Let us make a better world for our industry!



## Contact us

Tel: +86-755-8981 8866 Fax: +86-755-8427 6832

Email & Skype: info@chipsmall.com Web: www.chipsmall.com

Address: A1208, Overseas Decoration Building, #122 Zhenhua RD., Futian, Shenzhen, China

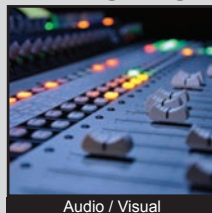


# TL6100 SERIES TACT SWITCH

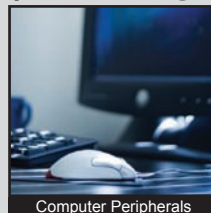
ANTI-VANDAL SWITCHES  
 DETECTOR SWITCHES  
 DIP SWITCHES  
 KEYLOCK SWITCHES  
 NAVIGATION SWITCHES  
 PUSHBUTTON SWITCHES  
 ROCKER SWITCHES  
 ROTARY SWITCHES  
 SLIDE SWITCHES  
 SNAP ACTION SWITCHES  
**TACTILE SWITCHES**  
 TOGGLE SWITCHES  
 CAP OPTIONS



## APPLICATIONS / MARKETS



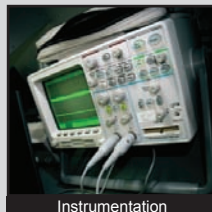
Audio / Visual



Computer Peripherals



Consumer Electronics



Instrumentation



Telecommunication



Medical Equipment

**RoHS**

## SPECIFICATIONS

**Electrical Rating:** 50mA @ 12VDC  
**Life Expectancy:** per chart  
**Contact Resistance:** 100mΩ Max. Initial  
**Insulation Resistance:** 100 MΩ Min. at 100VAC  
**Dielectric Strength:** 250VAC for 1 min.  
**Operating Temperature:** -40°C to 85°C  
**Storage Temperature:** -40°C to 85°C  
**Operating Force:** 130 gf, 160 gf, 300 gf, 500 gf  
**Travel:** 0.50mm  
**Contact Arrangement:** SPST

## FEATURES & BENEFITS

- Tube packaging
- Multiple operating forces
- Gold or silver contact option
- Multiple actuator lengths
- Process sealed

## PART NUMBER CONFIGURATOR

Series	Actuator Options	Operating Force	Contact Plating	Termination
<input type="text" value="TL"/> <input type="text" value="6"/> <input type="text" value="1"/> <input type="text" value="0"/> <input type="text" value="0"/>	<input type="text" value="A"/>	<input type="text" value="F"/> <input type="text" value="1"/> <input type="text" value="3"/> <input type="text" value="0"/>	<input type="text" value="Q"/>	<input type="text" value="P"/>
TL6100	A - 4.70mm B - 5.20mm C - 6.90mm D - 10.0mm	F130 - 130 gf F160 - 160 gf F300 - 300 gf F500 - 500 gf	Q - Silver R - Gold	P - PCB Pins

Actuation Force	Life Cycles
130 gf	1,000,000
160 gf	1,000,000
300 gf	500,000
500 gf	200,000

*Specifications subject to change without notice*



**E-SWITCH®**

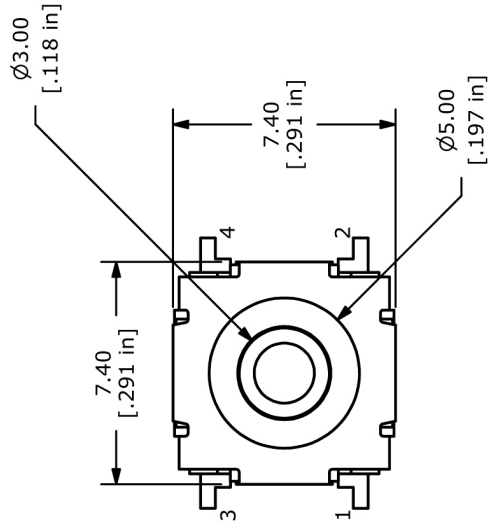
www.e-switch.com

800.867.2717

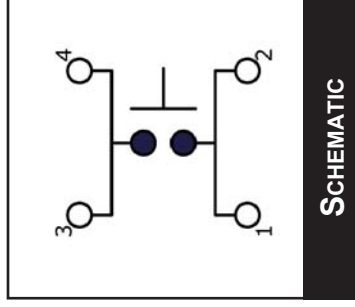
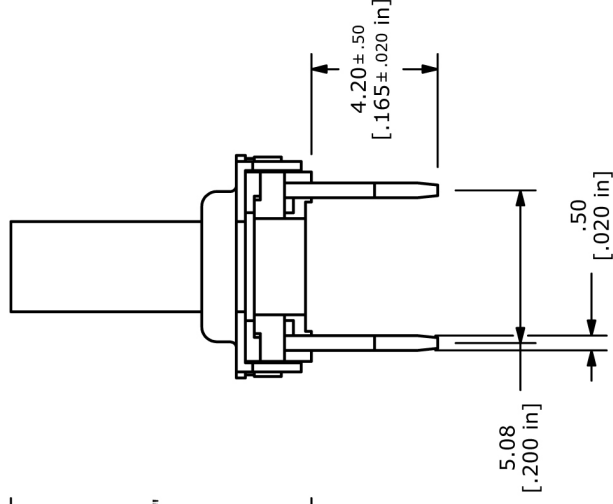
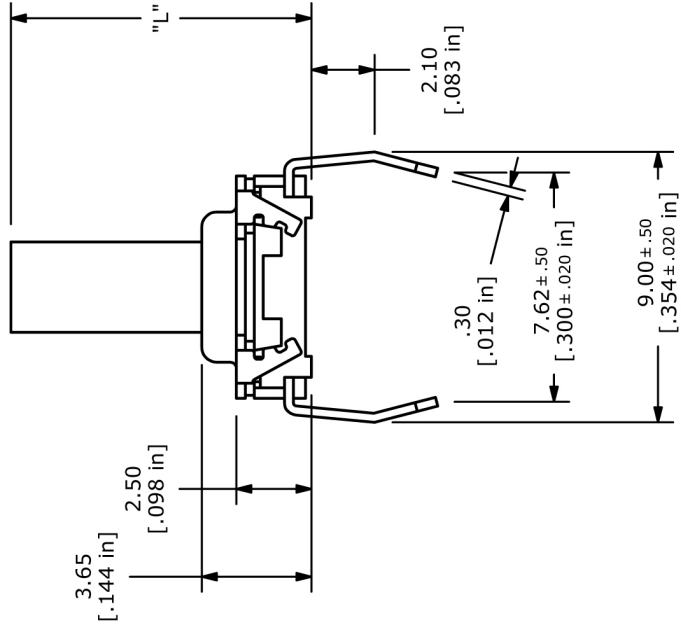
2

# TL6100 SERIES TACT SWITCH

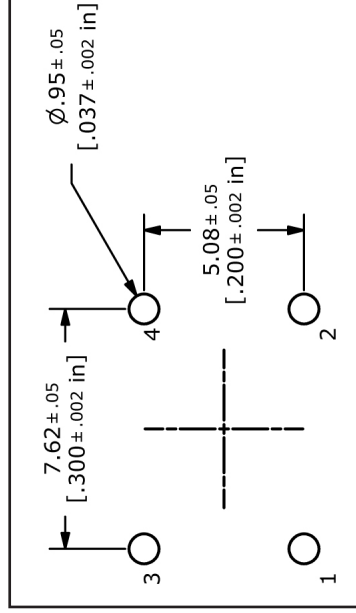
## BODY DIMENSIONS



Actuator	"L" Dimension
A	4.70
B	5.20
C	6.90
D	10.00



**SCHEMATIC**



**PCB LAYOUT**