

Chipsmall Limited consists of a professional team with an average of over 10 year of expertise in the distribution of electronic components. Based in Hongkong, we have already established firm and mutual-benefit business relationships with customers from,Europe,America and south Asia,supplying obsolete and hard-to-find components to meet their specific needs.

With the principle of “Quality Parts,Customers Priority,Honest Operation,and Considerate Service”,our business mainly focus on the distribution of electronic components. Line cards we deal with include Microchip,ALPS,ROHM,Xilinx,Pulse,ON,Everlight and Freescale. Main products comprise IC,Modules,Potentiometer,IC Socket,Relay,Connector.Our parts cover such applications as commercial,industrial, and automotives areas.

We are looking forward to setting up business relationship with you and hope to provide you with the best service and solution. Let us make a better world for our industry!

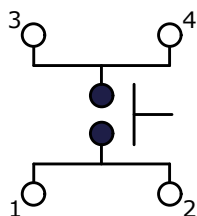


Contact us

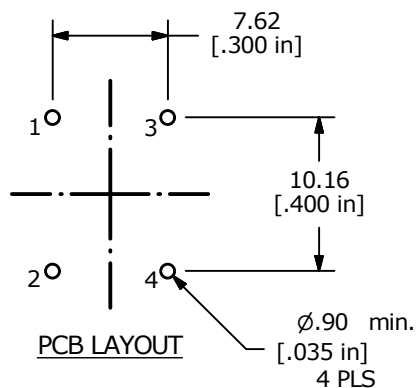
Tel: +86-755-8981 8866 Fax: +86-755-8427 6832

Email & Skype: info@chipsmall.com Web: www.chipsmall.com

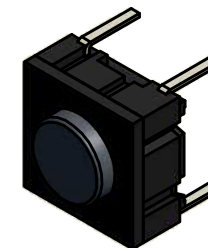
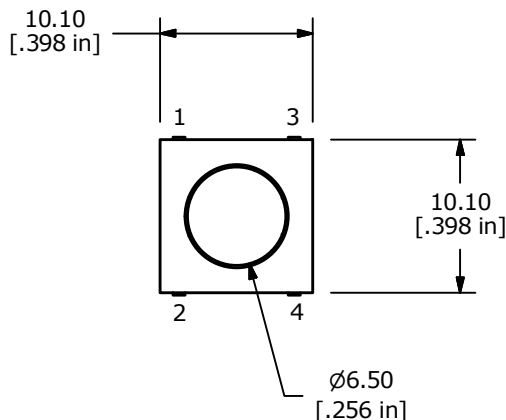
Address: A1208, Overseas Decoration Building, #122 Zhenhua RD., Futian, Shenzhen, China



CIRCUIT: SPST

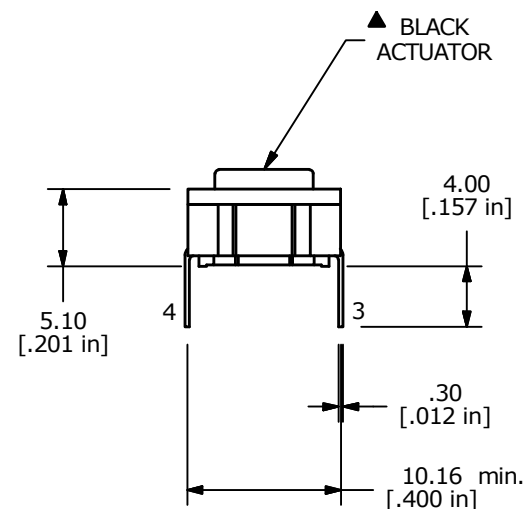
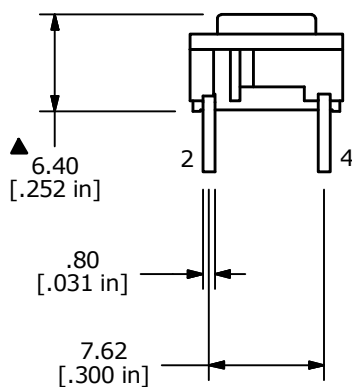


PCB LAYOUT



NOTES:

1. ALL DIMENSIONS IN MM [INCH]
2. GENERAL TOLERANCE: x.x = ± 0.4
x.xx = ± 0.25
3. TERM. NOS. FOR REF ONLY
4. RATING: 50 MILLI-AMPS @24VDC
5. TRAVEL: 1.0 +/-0.5mm
6. CONTACT RESISTANCE: 30 MILLIOHMS MAX
7. INSULATION RESISTANCE: 10M OHMS MIN. AT 100VDC
8. DIELECTRIC STRENGTH: 250VAC FOR 1 MINUTE
- ▲ 9. OPERATING FORCE: 300 ± 75 GF
10. PACKAGING: TUBE, 45 PIECES PER TUBE
11. LIFE CYCLES: 10,000,000 ACTUATIONS
12. ▲ DENOTES CRITICAL PARAMETER
13. 2002/95/EC (ROHS) COMPLIANT



▲ BLACK ACTUATOR



B	22061	ADD TERM. NUMBERS TO DRAWING VIEWS	11/25/15	MW
A	20968	New Release	1/14/13	rc
REV	PCR NO	DESCRIPTION	DATE	BY

TITLE TL6200ABF300QP				
SCALE 2:1	DATE 1/14/2013	DR rc	DWG T060004	REV B

THE INFORMATION CONTAINED IN THIS DOCUMENT IS PROPRIETARY TO E-SWITCH AND IS NOT TO BE COPIED OR TRANSFERRED