



Chipsmall Limited consists of a professional team with an average of over 10 year of expertise in the distribution of electronic components. Based in Hongkong, we have already established firm and mutual-benefit business relationships with customers from,Europe,America and south Asia,supplying obsolete and hard-to-find components to meet their specific needs.

With the principle of “Quality Parts,Customers Priority,Honest Operation,and Considerate Service”,our business mainly focus on the distribution of electronic components. Line cards we deal with include Microchip,ALPS,ROHM,Xilinx,Pulse,ON,Everlight and Freescale. Main products comprise IC,Modules,Potentiometer,IC Socket,Relay,Connector.Our parts cover such applications as commercial,industrial, and automotives areas.

We are looking forward to setting up business relationship with you and hope to provide you with the best service and solution. Let us make a better world for our industry!



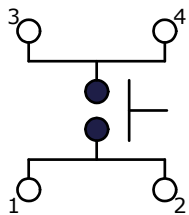
## Contact us

Tel: +86-755-8981 8866 Fax: +86-755-8427 6832

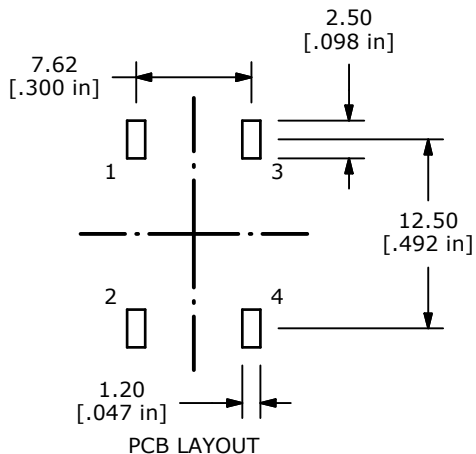
Email & Skype: info@chipsmall.com Web: www.chipsmall.com

Address: A1208, Overseas Decoration Building, #122 Zhenhua RD., Futian, Shenzhen, China

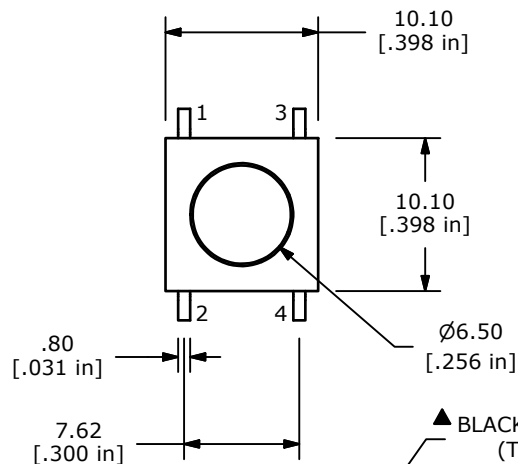
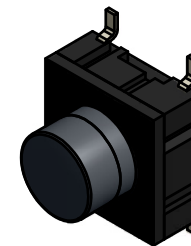




▲ CIRCUIT: SPST



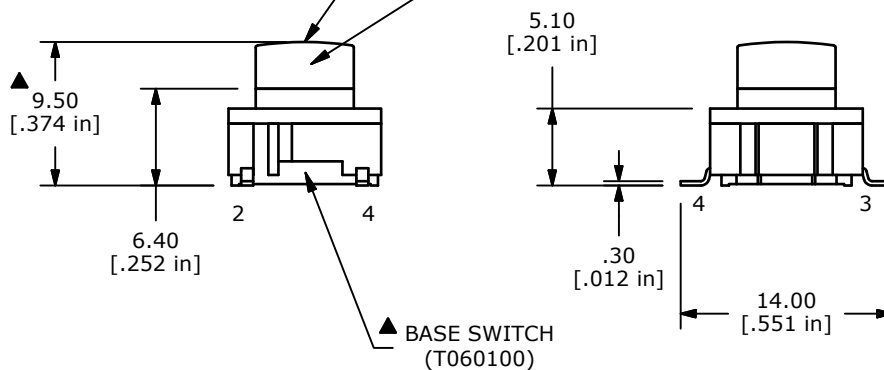
PCB LAYOUT



▲ BLACK ACTUATOR (T061001)

▲ ACTUATOR PORTION (T061001) TO BE SHIPPED SEPARATELY FROM BASE SWITCH

- NOTES:
1. ALL DIMENSIONS IN MM [INCH]
  2. GENERAL TOLERANCE: x.x= ± 0.4  
x.xx= ± 0.25
  3. TERM. NOS. FOR REF ONLY
  4. RATING: 50 MILLI-AMPS @24VDC
  5. TRAVEL: 1.0 +/-0.5mm
  6. CONTACT RESISTANCE: 30 MILLIOHMS MAX
  7. INSULATION RESISTANCE: 10M OHMS MIN. AT 100VDC
  8. DIELECTRIC STRENGTH: 250VAC FOR 1 MINUTE
  - ▲ 9. OPERATING FORCE: 300 ± 75 GF
  10. PACKAGING: TAPE AND REEL, 650 PIECES PER REEL
  11. LIFE CYCLES: 10,000,000 ACTUATIONS
  12. ▲ DENOTES CRITICAL PARAMETER
  13. 2002/95/EC (ROHS) COMPLIANT
  14. ACTUATOR PORTION (T061001) TO BE SHIPPED IN BAGS SEPARATELY FROM THE BASE SWITCH (T060100) AND TO BE ASSEMBLED AFTER SOLDERING.



▲ BASE SWITCH (T060100)



B	21031	Changed/Added BOM	2/12/13	rc
A	20968	New Release	1/14/13	rc
REV	PCR NO	DESCRIPTION	DATE	BY

TITLE TL6200CBF300QG				
SCALE 2:1	DATE 1/7/2013	DR rc	DWG T060003	REV B

THE INFORMATION CONTAINED IN THIS DOCUMENT IS PROPRIETARY TO E-SWITCH AND IS NOT TO BE COPIED OR TRANSFERRED