



Chipsmall Limited consists of a professional team with an average of over 10 year of expertise in the distribution of electronic components. Based in Hongkong, we have already established firm and mutual-benefit business relationships with customers from,Europe,America and south Asia,supplying obsolete and hard-to-find components to meet their specific needs.

With the principle of "Quality Parts,Customers Priority,Honest Operation,and Considerate Service",our business mainly focus on the distribution of electronic components. Line cards we deal with include Microchip,ALPS,ROHM,Xilinx,Pulse,ON,Everlight and Freescale. Main products comprise IC,Modules,Potentiometer,IC Socket,Relay,Connector.Our parts cover such applications as commercial,industrial, and automotives areas.

We are looking forward to setting up business relationship with you and hope to provide you with the best service and solution. Let us make a better world for our industry!



Contact us

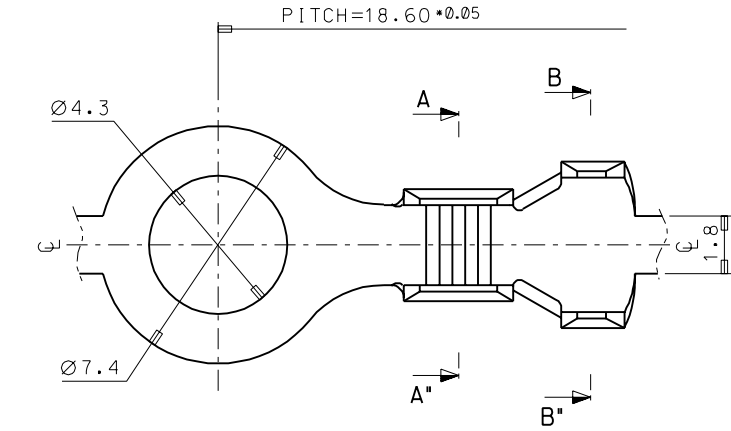
Tel: +86-755-8981 8866 Fax: +86-755-8427 6832

Email & Skype: info@chipsmall.com Web: www.chipsmall.com

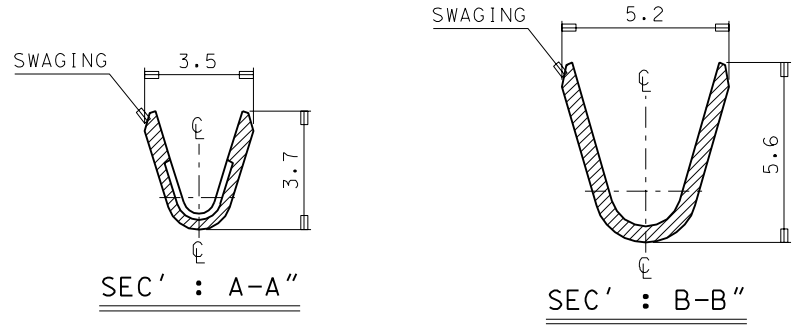
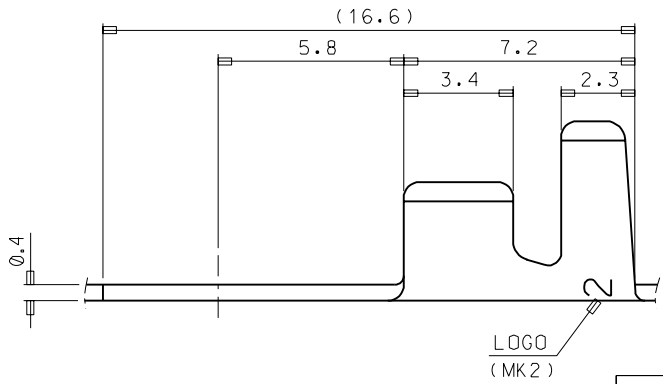
Address: A1208, Overseas Decoration Building, #122 Zhenhua RD., Futian, Shenzhen, China



DWG. NO. SD 35750-0900
 PROJECT NO. SIMILAR ITEM
 ∅4.3 RING TERMINAL
 DO NOT SCALE DRAWING
 DIMENSION IN METRIC



- NOTES
- MATERIAL : BRASS , 0.4mm THICKNESS
 - FINISH : 35750-0900 (UNPLATED)
 35750-0910 (POST-PLATED TIN)
 35750-0920 (PRE-PLATED TIN)
 35750-0940 (POST-PLATED TIN-LEAD)
 - RECOMMENDED LENGTH OF WIRE STRIP IS 4.8-5.4mm.
 - APPLICABLE WIRE : AWG #18-#14 (0.75-2.08mm²)
 INSULATION DIA. : ∅3.2mm MAX.



| | |
|-----------|----------|
| 1 | D |
| 1 | C |
| 1 | B |
| 1 | A |
| SHT | REV |
| REVISE ON | CAD ONLY |

| | | | | | | | | | | | |
|--|--------------------------------------|---|---------------------|----------------------|--|--------------------------------------|--|------------------------------|---|--|--|
| REVISED EC NO. KOR1997-0165 DRWN: J.S.KANG CHK: B.K.CHOI APPR: C.W.LEE | QUALITY SYMBOLS MAJOR CRITICAL | GENERAL TOLERANCES: (UNLESS SPECIFIED) | | SCALE 7:1 | DESIGN UNITS <input checked="" type="checkbox"/> mm <input type="checkbox"/> INCH | THIRD ANGLE PROJECTION | DIMENSIONS: <input type="checkbox"/> mm <input type="checkbox"/> INCH <input checked="" type="checkbox"/> mm ONLY | | SHEET NO. 1 of 1 | | |
| | | 4 PLACES ±0. ±. | 3 PLACES ±0. ±. | 2 PLACES ±0.2 ±. | 1 PLACE ±0.3 ±. | DRAWN BY & DATE J.S.KANG 97/12/04 | CHECKED BY & DATE | TITLE: ∅4.3 RING TERMINAL | | | |
| | | ANGULAR: ± 1° | | | | APPROVED BY & DATE | MOLEX INCORPORATED KOREA | | | | |
| | | DRAFT WHERE APPLICABLE MUST REMAIN WITHIN DIMENSIONS | | | | CAD FILENAME s7500900.dgn | MATERIAL NO. SEE NOTES | DRAWING NO. SD 35750-0900 | THIS DRAWING CONTAINS INFORMATION THAT IS PROPRIETARY TO MOLEX INCORPORATED AND SHOULD NOT BE USED WITHOUT WRITTEN PERMISSION. | | |