



Chipsmall Limited consists of a professional team with an average of over 10 year of expertise in the distribution of electronic components. Based in Hongkong, we have already established firm and mutual-benefit business relationships with customers from,Europe,America and south Asia,supplying obsolete and hard-to-find components to meet their specific needs.

With the principle of “Quality Parts,Customers Priority,Honest Operation,and Considerate Service”,our business mainly focus on the distribution of electronic components. Line cards we deal with include Microchip,ALPS,ROHM,Xilinx,Pulse,ON,Everlight and Freescale. Main products comprise IC,Modules,Potentiometer,IC Socket,Relay,Connector.Our parts cover such applications as commercial,industrial, and automotives areas.

We are looking forward to setting up business relationship with you and hope to provide you with the best service and solution. Let us make a better world for our industry!



Contact us

Tel: +86-755-8981 8866 Fax: +86-755-8427 6832

Email & Skype: info@chipsmall.com Web: www.chipsmall.com

Address: A1208, Overseas Decoration Building, #122 Zhenhua RD., Futian, Shenzhen, China



TLE4209G

Automotive Power



Never stop thinking

Table of Contents

1	Overview	3
2	Block Diagram	4
3	Pin Configuration	5
3.1	Pin Assignment	5
3.2	Pin Definitions and Functions	5
4	General Product Characteristics	6
4.1	Absolute Maximum Ratings	6
4.2	Operating Range	6
4.3	Thermal Resistance	7
4.4	Electrical Characteristics	7
5	Application Information	10
6	Package Outlines	13
7	Revision History	14



1 Overview

Features

- Optimized for manual headlight beam control applications
- Delivers up to 0.7 A continuous
- Low saturation voltage; typ. 1.6 V total @ 25 °C; 0.7 A
- Output protected against short circuit
- Over temperature protection with hysteresis
- Over- and under voltage lockout
- Internal clamp diodes
- Enhanced SMD power package
- Green Product (RoHS compliant)
- AEC Qualified



PG-DSO-14-22

Description

The TLE4209G is a protected H-Bridge Driver designed specifically for automotive manual headlight beam control and industrial servo control applications with DC-brush motor loads.

The part is built using the bipolar high voltage power technology DOPL.

The standard enhanced power PG-DSO-14-22 package meets the application requirements and saves PCB-board space and costs. The package is lead- and halogen-free.

The servo-loop-parameter pos.- and neg. Hysteresis, pos.- and neg. deadband and angle-amplification are programmable with external resistors.

An internal window-comparator controls the input line. In the case of a fault condition, like short circuit to GND, short circuit to supply-voltage, and broken wire, the TLE4209G stops the motor immediately (brake condition).

Furthermore the built in features like over- and under voltage-lockout, short-circuit-protection and over-temperature-protection will open a wide range of automotive- and industrial applications.

Type	Package	Marking
TLE4209G	PG-DSO-14-22	TLE4209G

2 Block Diagram

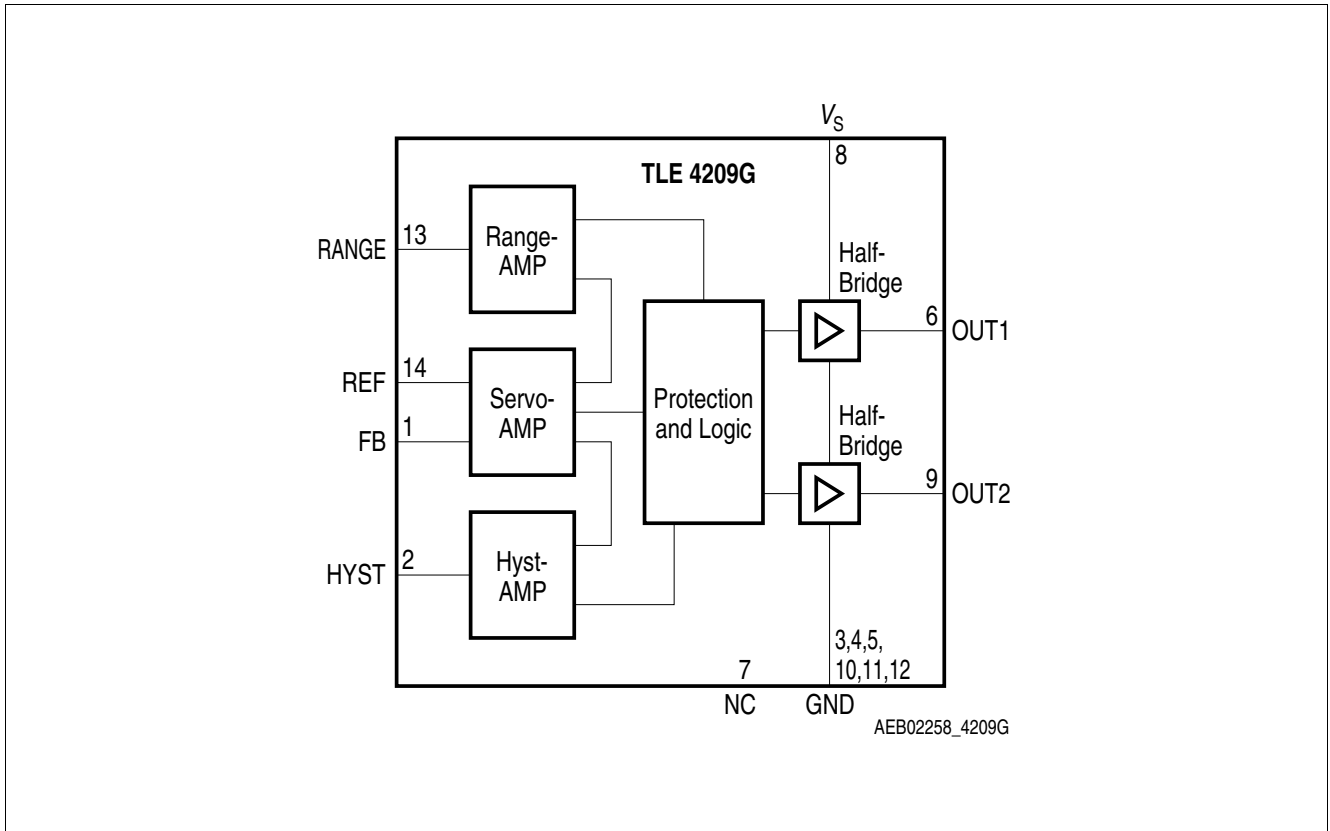


Figure 1 Block Diagram

3 Pin Configuration

3.1 Pin Assignment

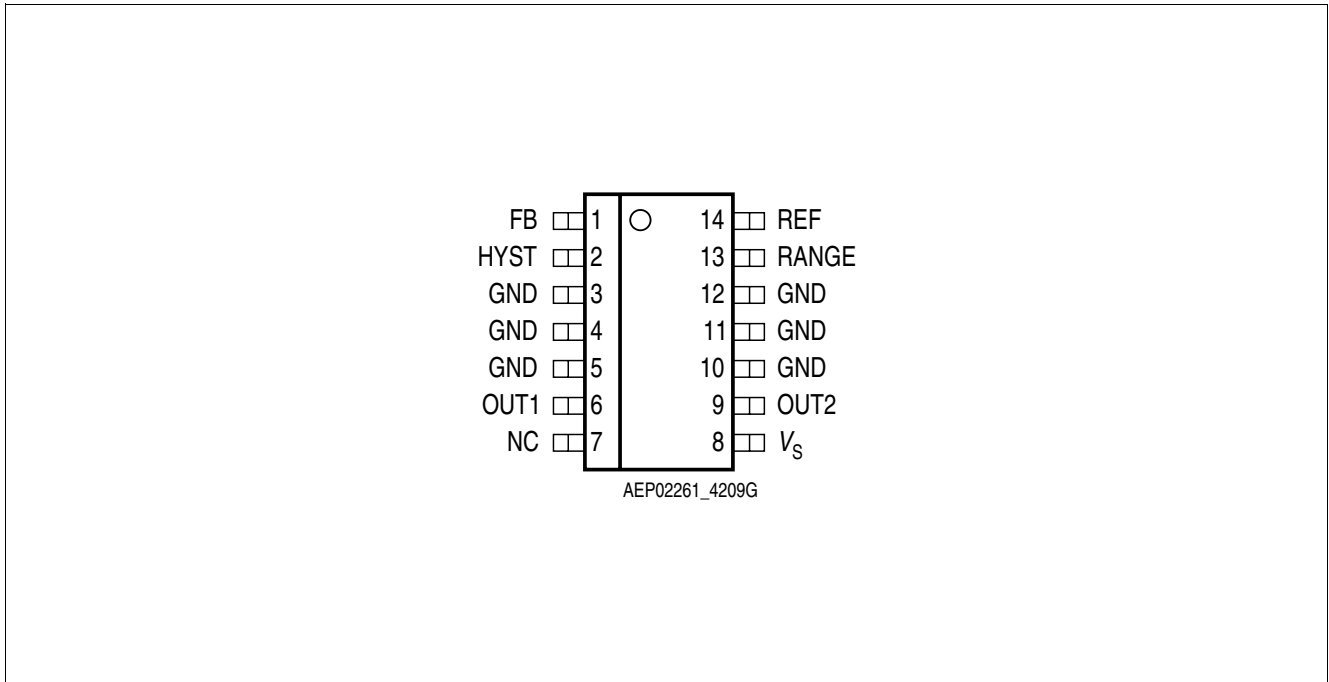


Figure 2 Pin Configuration

3.2 Pin Definitions and Functions

Pin	Symbol	Function
1	FB	Feedback Input
2	HYST	Hysteresis I/O
3, 4, 5, 10, 11, 12	GND	Ground
6	OUT1	Power Output 1
7	NC	Not Connected
8	V_s	Power Supply Voltage
9	OUT2	Power Output 2
13	RANGE	Range Input
14	REF	Reference Input

4 General Product Characteristics

4.1 Absolute Maximum Ratings

Absolute Maximum Ratings ¹⁾

$T_j = -40\text{ °C}$ to $+150\text{ °C}$; all voltages with respect to ground, positive current flowing into pin (unless otherwise specified)

Pos.	Parameter	Symbol	Limit Values		Unit	Conditions
			Min.	Max.		
Voltages						
4.1.1	Supply voltage	V_S	-0.3	45	V	–
4.1.2	Supply voltage	V_S	-1	–	V	$t < 0.5\text{ s}$; $I_S > -2\text{ A}$
4.1.3	Logic input voltages (FB, REF, RANGE, HYST)	V_I	-0.3	20	V	–
Currents						
4.1.4	Output current (OUT1, OUT2)	I_{OUT}	–	–	A	internally limited
4.1.5	Output current (Diode)	I_{OUT}	-0.9	0.9	A	–
4.1.6	Input current (FB, REF, RANGE, HYST)	I_{IN}	-2 -6	2 6	mA mA	$t < 2\text{ ms}$; $t/T < 0.1$
Temperatures						
4.1.7	Junction temperature	T_j	-40	150	°C	–
4.1.8	Storage temperature	T_{stg}	-50	150	°C	–

1) Not subject to production test, specified by design.

Note: Stresses above the ones listed here may cause permanent damage to the device. Exposure to absolute maximum rating conditions for extended periods may affect device reliability.

Note: Integrated protection functions are designed to prevent IC destruction under fault conditions described in the data sheet. Fault conditions are considered as “outside” normal operating range. Protection functions are not designed for continuous repetitive operation.

4.2 Operating Range

Pos.	Parameter	Symbol	Limit Values		Unit	Conditions
			Min.	Max.		
4.2.1	Supply voltage	V_S	8	18	V	After V_S rising above $V_{UV\ ON}$
4.2.2	Supply voltage increasing	V_S	-0.3	$V_{UV\ ON}$	V	Outputs in tristate
4.2.3	Supply voltage decreasing	V_S	-0.3	$V_{UV\ OFF}$	V	Outputs in tristate
4.2.4	Output current	I_{OUT1-2}	-0.7	0.7	A	–
4.2.5	Input current (FB, REF)	I_{IN}	-50	500	μA	–
4.2.6	Junction temperature	T_j	-40	150	°C	–

Note: Within the functional range the IC operates as described in the circuit description. The electrical characteristics are specified within the conditions given in the related electrical characteristics table.

4.3 Thermal Resistance

Note: This thermal data was generated in accordance with JEDEC JESD51 standards. For more information, go to www.jedec.org.

Pos.	Parameter	Symbol	Limit Values			Unit	Conditions
			Min.	Typ.	Max.		
4.3.1	Junction to Soldeering Point ¹⁾	R_{thJSP}	–	–	25	K/W	measured to pin 5
4.3.2	Junction to Ambient ¹⁾ minimal-footprint	R_{thJA}	–	130	–	K/W	²⁾
4.3.3	Junction to Ambient ¹⁾ additional 600 mm ² CU area	R_{thJA}	–	65	–	K/W	³⁾

1) Not subject to production test, specified by design.

2) JESD 51-2, 51-3, FR4 76.2 mm × 114.3 mm × 1.5 mm, 70 μm Cu, minimal footprint

3) JESD 51-2, 51-3, FR4 76.2 mm × 114.3 mm × 1.5 mm, 70 μm Cu, 600 mm² CU cooling area connected to Pins: 3, 4, 5, 10, 11, 12

4.4 Electrical Characteristics

Electrical Characteristics

$V_S = 8\text{ V to }18\text{ V}$, $T_j = -40\text{ °C to }+150\text{ °C}$, $I_{OUT1-2} = 0\text{ A}$, all voltages with respect to ground, positive current flowing into pin (unless otherwise specified)

Pos.	Parameter	Symbol	Limit Values			Unit	Conditions
			Min.	Typ.	Max.		

Current Consumption

4.4.1	Supply current	I_S	–	12	20	mA	–
4.4.2	Supply current	I_S	–	20	30	mA	$I_{OUT1} = 0.3\text{ A}$ $I_{OUT2} = -0.3\text{ A}$
4.4.3	Supply current	I_S	–	30	50	mA	$I_{OUT1} = 0.7\text{ A}$ $I_{OUT2} = -0.7\text{ A}$

Over- and Under Voltage Lockout

4.4.4	UV Switch ON voltage	$V_{UV\ ON}$	–	7.4	8	V	V_S increasing
4.4.5	UV Switch OFF voltage	$V_{UV\ OFF}$	6.3	6.9	–	V	V_S decreasing
4.4.6	UV ON/OFF Hysteresis	V_{UVHY}	–	0.5	–	V	$V_{UV\ ON} - V_{UV\ OFF}$
4.4.7	OV Switch OFF voltage	$V_{OV\ OFF}$	–	20.5	23	V	V_S increasing
4.4.8	OV Switch ON voltage	$V_{OV\ ON}$	17.5	20	–	V	V_S decreasing
4.4.9	OV ON/OFF Hysteresis	V_{OVHY}	–	0.5	–	V	$V_{OV\ OFF} - V_{OV\ ON}$

Outputs OUT1-2, Saturation Voltages

4.4.10	Source (upper) $I_{OUT} = -0.3\text{ A}$	$V_{SAT\ U}$	–	0.90	1.20	V	$T_j = 25\text{ °C}$
4.4.11	Sink (upper) $I_{OUT} = -0.7\text{ A}$	$V_{SAT\ U}$	–	1.10	1.50	V	$T_j = 25\text{ °C}$
4.4.12	Sink (lower) $I_{OUT} = 0.3\text{ A}$	$V_{SAT\ L}$	–	0.25	0.40	V	$T_j = 25\text{ °C}$
4.4.13	Sink (lower) $I_{OUT} = 0.7\text{ A}$	$V_{SAT\ L}$	–	0.45	0.75	V	$T_j = 25\text{ °C}$

General Product Characteristics
Electrical Characteristics (cont'd)

$V_S = 8\text{ V to }18\text{ V}$, $T_j = -40\text{ °C to }+150\text{ °C}$, $I_{OUT1-2} = 0\text{ A}$, all voltages with respect to ground, positive current flowing into pin (unless otherwise specified)

Pos.	Parameter	Symbol	Limit Values			Unit	Conditions
			Min.	Typ.	Max.		
4.4.14	Total drop $I_{OUT} = 0.3\text{ A}$	V_{SAT}	–	1.2	1.7	V	$V_{SAT} = V_{SAT U} + V_{SAT L}$
4.4.15	Total drop $I_{OUT} = 0.7\text{ A}$	V_{SAT}	–	1.6	2.5	V	$V_{SAT} = V_{SAT U} + V_{SAT L}$

Outputs OUT1-2, Clamp Diodes

4.4.16	Forward voltage; upper	V_{FU}	–	1	1.5	V	$I_F = 0.3\text{ A}$
4.4.17	Upper leakage current	I_{LKU}	–	–	5	mA	$I_F = 0.3\text{ A}$
4.4.18	Forward voltage; lower	V_{FL}	–	0.9	1.4	V	$I_F = 0.3\text{ A}$

Input-Interface, Input REF

4.4.19	Quiescent voltage	V_{REFq}	–	200	–	mV	$I_{REF} = 0\text{ }\mu\text{A}$
4.4.20	Input resistance	R_{REF}	–	6	–	k Ω	$0\text{ V} < V_{REF} < 0.5\text{ V}$

Input-Interface, Input FB

4.4.21	Quiescent voltage	V_{FBq}	–	200	–	mV	$I_{FB} = 0\text{ }\mu\text{A}$
4.4.22	Input resistance	R_{FB}	–	6	–	k Ω	$0\text{ V} < V_{FB} < 0.5\text{ V}$

Input-Interface, Input/Output HYST

4.4.23	Current Amplification $A_{HYST} = I_{HYST} / (I_{REF} - I_{FB})$	A_{HYST}	0.8	0.95	1.1	–	$-20\text{ }\mu\text{A} < I_{HYST} < -10\text{ }\mu\text{A}$; $10\text{ }\mu\text{A} < I_{HYST} < 20\text{ }\mu\text{A}$; $I_{REF} = 250\text{ }\mu\text{A}$; $V_{HYST} = V_S / 2$
4.4.24	Current Offset	I_{HYSTIO}	-2	0.35	3	μA	$I_{REF} = I_{FB} = 250\text{ }\mu\text{A}$; $V_{HYST} = V_S / 2$
4.4.25	Threshold voltage High	V_{HYH} / V_S	–	52	–	%	–
4.4.26	Deadband voltage High	V_{DBH} / V_S	–	50.4	–	%	–
4.4.27	Deadband voltage Low	V_{DBL} / V_S	–	49.6	–	%	–
4.4.28	Threshold voltage Low	V_{HYL} / V_S	–	48	–	%	–
4.4.29	Hysteresis Window	V_{HYW} / V_S	3	4	5	%	$(V_{HYH} - V_{HYL}) / V_S$
4.4.30	Deadband Window	V_{DBW} / V_S	0.4	0.8	1.2	%	$(V_{DBH} - V_{DBL}) / V_S$

Input-Interface, Input RANGE

4.4.31	Input current	I_{RANGE}	-1	–	1	μA	$0\text{ V} < V_{RANGE} < V_S$
4.4.32	Switch-OFF voltage High	V_{OFFH}	-25	0	100	mV	refer to V_S
4.4.33	Switch-OFF voltage Low	V_{OFFL}	300	400	500	mV	refer to GND

Electrical Characteristics (cont'd)

$V_S = 8\text{ V to }18\text{ V}$, $T_j = -40\text{ °C to }+150\text{ °C}$, $I_{OUT1-2} = 0\text{ A}$, all voltages with respect to ground, positive current flowing into pin (unless otherwise specified)

Pos.	Parameter	Symbol	Limit Values			Unit	Conditions
			Min.	Typ.	Max.		
Thermal Shutdown							
4.4.34	Thermal shutdown junction temperature ¹⁾	T_{jSD}	150	175	200	°C	–
4.4.35	Thermal switch-on junction temperature ¹⁾	T_{jSO}	120	–	170	°C	–
4.4.36	Temperature hysteresis	ΔT	–	30	–	K	–

1) Not subject to production test, specified by design.

5 Application Information

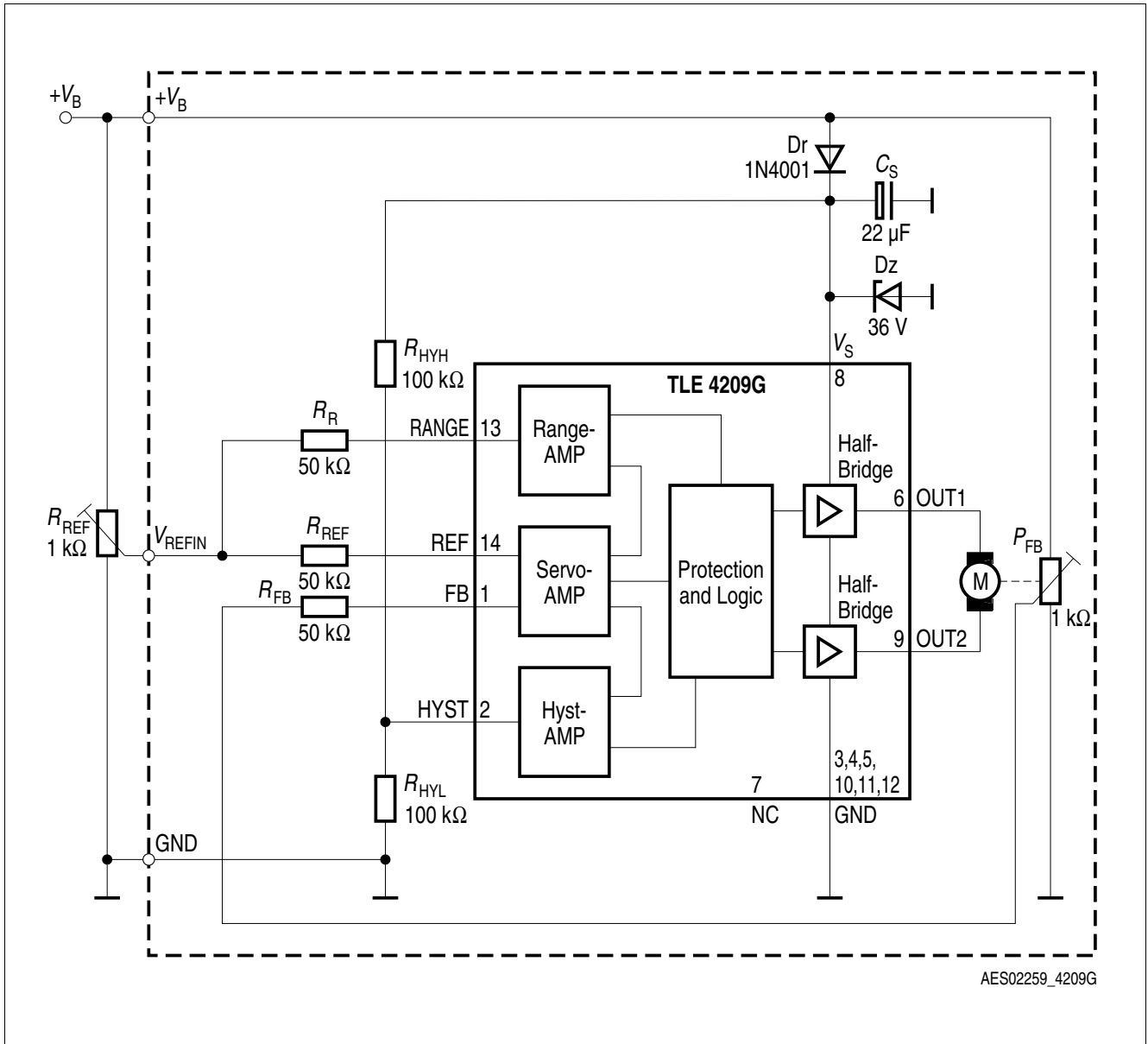


Figure 3 Application Diagram

Note: In the application the PIN 7 can remain not connected.

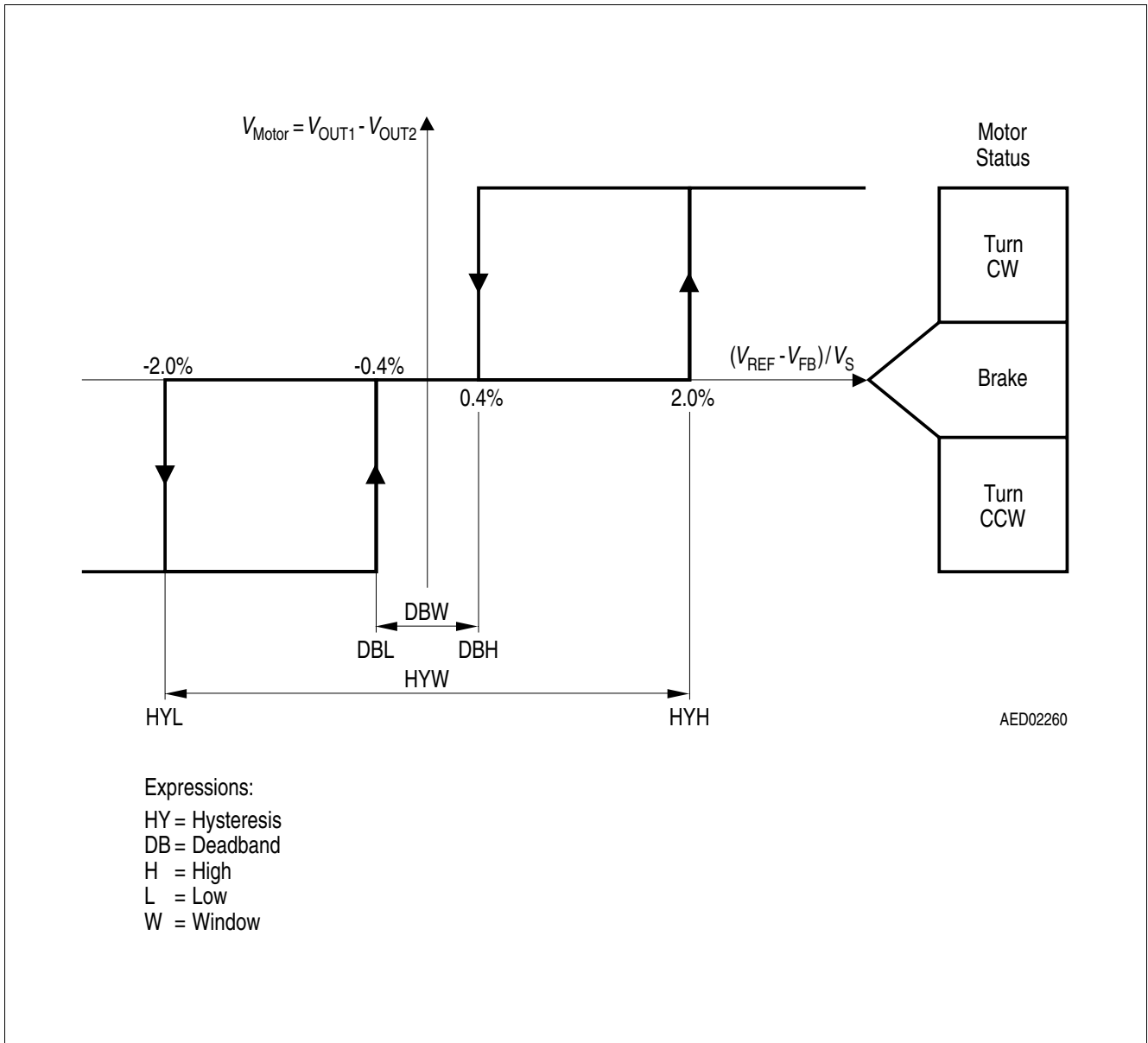


Figure 4 Hysteresis, Phaselag and Deadband-Definitions

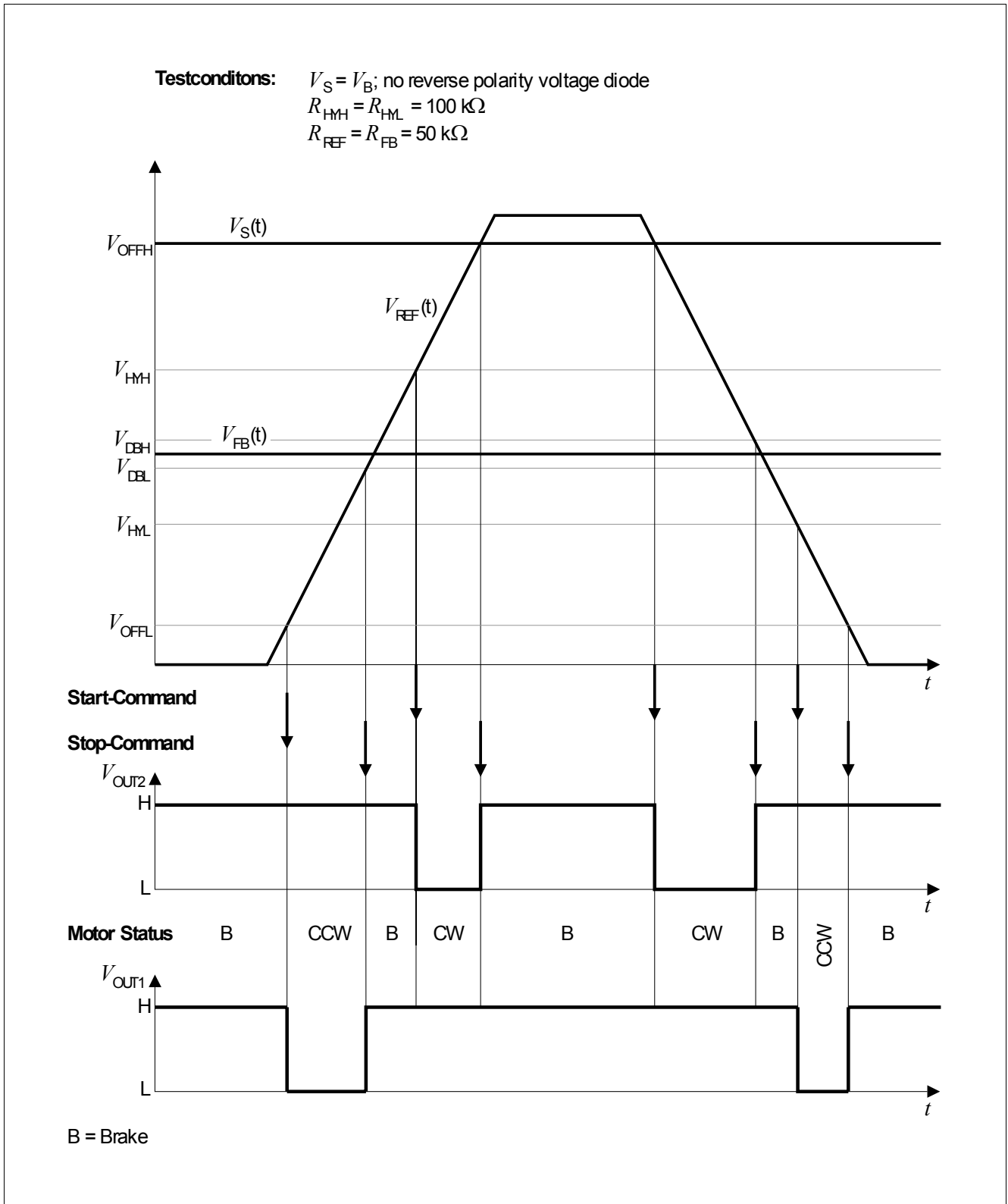


Figure 5 Timing and Phaselag

6 Package Outlines

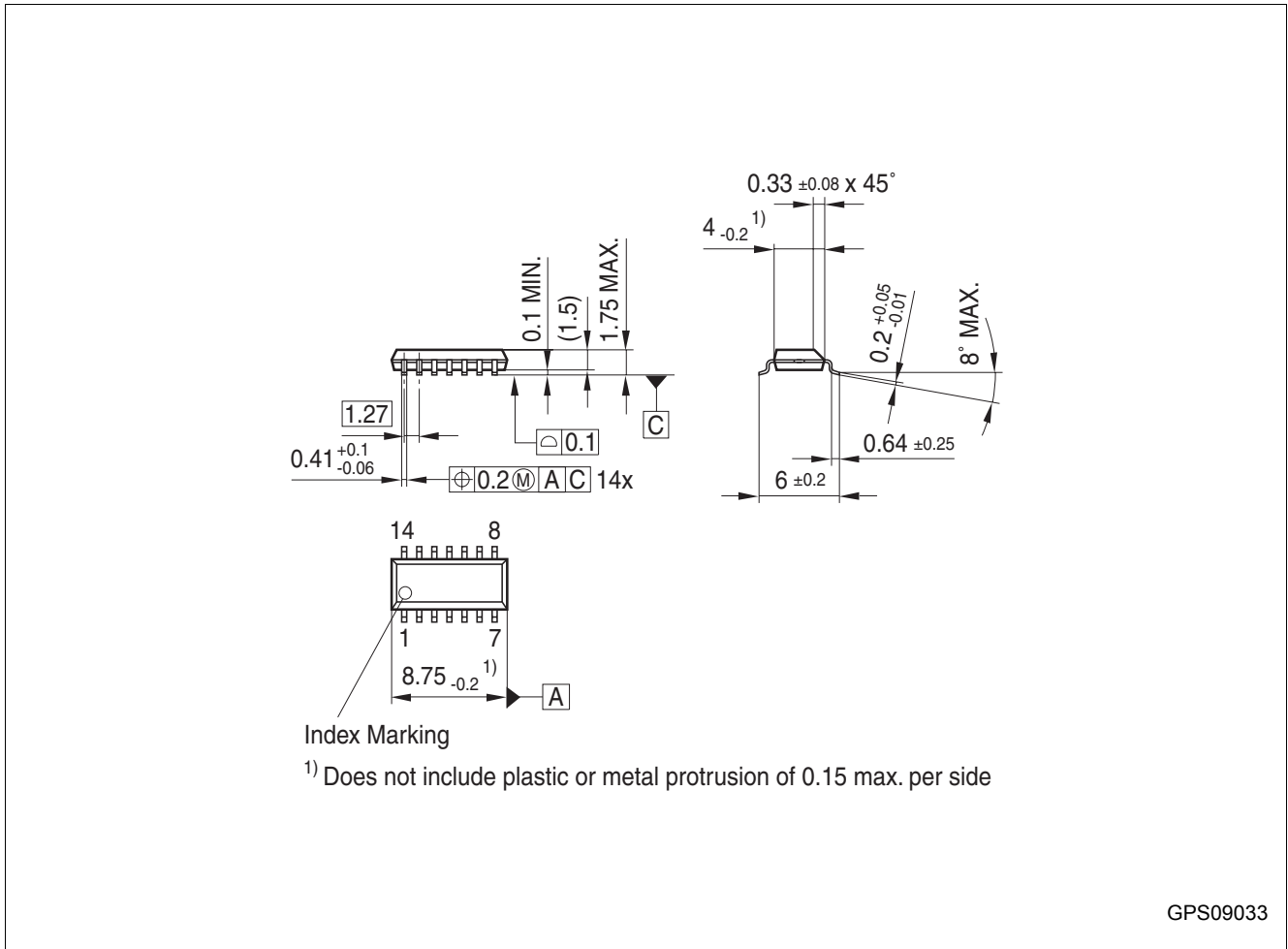


Figure 6 PG-DSO-14-22 (Plastic Green - Dual Small Outline Package)

Green Product (RoHS compliant)

To meet the world-wide customer requirements for environmentally friendly products and to be compliant with government regulations the device is available as a green product. Green products are RoHS-Compliant (i.e. Pb-free finish on leads and suitable for Pb-free soldering according to IPC/JEDEC J-STD-020).

7 Revision History

Revision	Date	Changes
1.1	2007-04-11	<p>RoHS-compliant DSO package version of the TLE 4209</p> <p>All pages: Infineon logo updated</p> <p>Page 1: "AEC qualified" and "RoHS" logo added, "Green Product (RoHS compliant)" and "AEC qualified" statement added to feature list, package names changed to RoHS compliant versions, package pictures updated</p> <p>Page 13: Package names changed to RoHS compliant versions, "Green Product" description added Revision History added Legal Disclaimer added</p>
1.2	2007-08-10	Package name changed to PG-DSO-14-22
1.3	2008-02-04	Page 1: Editorial change: deleted "fully" (The term "fully protected" often leads to misunderstandings as it is unclear with respect to which parameters).

Edition 2008-02-04

**Published by
Infineon Technologies AG
81726 Munich, Germany**

**© 2008 Infineon Technologies AG
All Rights Reserved.**

Legal Disclaimer

The information given in this document shall in no event be regarded as a guarantee of conditions or characteristics. With respect to any examples or hints given herein, any typical values stated herein and/or any information regarding the application of the device, Infineon Technologies hereby disclaims any and all warranties and liabilities of any kind, including without limitation, warranties of non-infringement of intellectual property rights of any third party.

Information

For further information on technology, delivery terms and conditions and prices, please contact the nearest Infineon Technologies Office (www.infineon.com).

Warnings

Due to technical requirements, components may contain dangerous substances. For information on the types in question, please contact the nearest Infineon Technologies Office.

Infineon Technologies components may be used in life-support devices or systems only with the express written approval of Infineon Technologies, if a failure of such components can reasonably be expected to cause the failure of that life-support device or system or to affect the safety or effectiveness of that device or system. Life support devices or systems are intended to be implanted in the human body or to support and/or maintain and sustain and/or protect human life. If they fail, it is reasonable to assume that the health of the user or other persons may be endangered.