



Chipsmall Limited consists of a professional team with an average of over 10 year of expertise in the distribution of electronic components. Based in Hongkong, we have already established firm and mutual-benefit business relationships with customers from,Europe,America and south Asia,supplying obsolete and hard-to-find components to meet their specific needs.

With the principle of “Quality Parts,Customers Priority,Honest Operation,and Considerate Service”,our business mainly focus on the distribution of electronic components. Line cards we deal with include Microchip,ALPS,ROHM,Xilinx,Pulse,ON,Everlight and Freescale. Main products comprise IC,Modules,Potentiometer,IC Socket,Relay,Connector.Our parts cover such applications as commercial,industrial, and automotives areas.

We are looking forward to setting up business relationship with you and hope to provide you with the best service and solution. Let us make a better world for our industry!



Contact us

Tel: +86-755-8981 8866 Fax: +86-755-8427 6832

Email & Skype: info@chipsmall.com Web: www.chipsmall.com

Address: A1208, Overseas Decoration Building, #122 Zhenhua RD., Futian, Shenzhen, China



TLE7250

High Speed CAN-Transceiver

TLE7250LE
TLE7250SJ

Data Sheet

Rev. 1.0, 2015-08-12

Table of Contents

	Table of Contents	2
1	Overview	3
2	Block Diagram	5
3	Pin Configuration	6
3.1	Pin Assignment	6
3.2	Pin Definitions	6
4	Functional Description	8
4.1	High Speed CAN Physical Layer	8
4.2	Modes of Operation	10
4.2.1	Normal-operating Mode	10
4.2.2	Power-save Mode	10
4.2.3	Receive-only Mode	10
4.3	Power-up and Undervoltage Condition	11
4.3.1	Power-down State	12
4.3.2	Power-up	12
4.3.3	Undervoltage on the Transmitter Supply V_{CC}	13
5	Fail Safe Functions	14
5.1	Short Circuit Protection	14
5.2	Unconnected Logic Pins	14
5.3	TxD Time-out Function	14
5.4	Overtemperature Protection	15
5.5	Delay Time for Mode Change	15
6	General Product Characteristics	16
6.1	Absolute Maximum Ratings	16
6.2	Functional Range	17
6.3	Thermal Resistance	17
7	Electrical Characteristics	18
7.1	Functional Device Characteristics	18
7.2	Diagrams	23
8	Application Information	25
8.1	ESD Robustness according to IEC61000-4-2	25
8.2	Application Example	26
8.3	Examples for Mode Changes	27
8.3.1	Mode Change while the TxD Signal is “low”	28
8.3.2	Mode Change while the Bus Signal is “dominant”	28
8.4	Further Application Information	31
9	Package Outline	32
10	Revision History	33



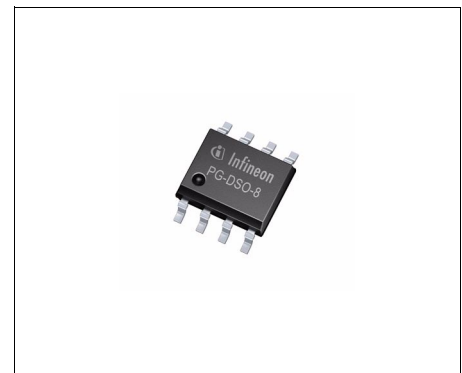
1 Overview

Features

- Fully compatible to ISO 11898-2
- Wide common mode range for electromagnetic immunity (EMI)
- Very low electromagnetic emission (EME)
- Excellent ESD robustness
- Guaranteed loop delay symmetry to support CAN FD data frames up to 2 MBit/s
- Extended supply range on V_{CC} supply
- CAN short circuit proof to ground, battery and V_{CC}
- TxD time-out function
- Low CAN bus leakage current in power-down state
- Overtemperature protection
- Protected against automotive transients
- Receive-only mode and power-save mode
- Green Product (RoHS compliant)
- Two package variants: PG-DSO-8 and PG-TSON-8
- AEC Qualified



PG-TSON-8



PG-DSO-8

Description

The TLE7250 is a transceiver designed for HS CAN networks in automotive and industrial applications. As an interface between the physical bus layer and the CAN protocol controller, the TLE7250 drives the signals to the bus and protects the microcontroller against interferences generated within the network. Based on the high symmetry of the CANH and CANL signals, the TLE7250 provides a very low level of electromagnetic emission (EME) within a wide frequency range.

The TLE7250 is available in a small, leadless PG-TSON-8 package and in a PG-DSO-8 package. Both packages are RoHS compliant and halogen free. Additionally the PG-TSON-8 package supports the solder joint requirements for automated optical inspection (AOI). The TLE7250LE and the TLE7250SJ are fulfilling or exceeding the requirements of the ISO11898-2.

The TLE7250 provides a receive-only mode and a power-save mode. It is designed to fulfill the enhanced physical layer requirements for CAN FD and supports data rates up to 2 MBit/s.

On the basis of a very low leakage current on the HS CAN bus interface the TLE7250 provides an excellent passive behavior in power-down state. These and other features make the TLE7250 exceptionally suitable for mixed supply HS CAN networks.

Based on the Infineon Smart Power Technology SPT, the TLE7250 provides excellent ESD immunity together with

Type	Package	Marking
TLE7250LE	PG-TSON-8	7250
TLE7250SJ	PG-DSO-8	7250

a very high electromagnetic immunity (EMI). The TLE7250 and the Infineon SPT technology are AEC qualified and tailored to withstand the harsh conditions of the automotive environment.

Three different operating modes, additional fail-safe features like a TxD time-out and the optimized output slew rates on the CANH and CANL signals, make the TLE7250 the ideal choice for large HS CAN networks with high data transmission rates.

2 Block Diagram

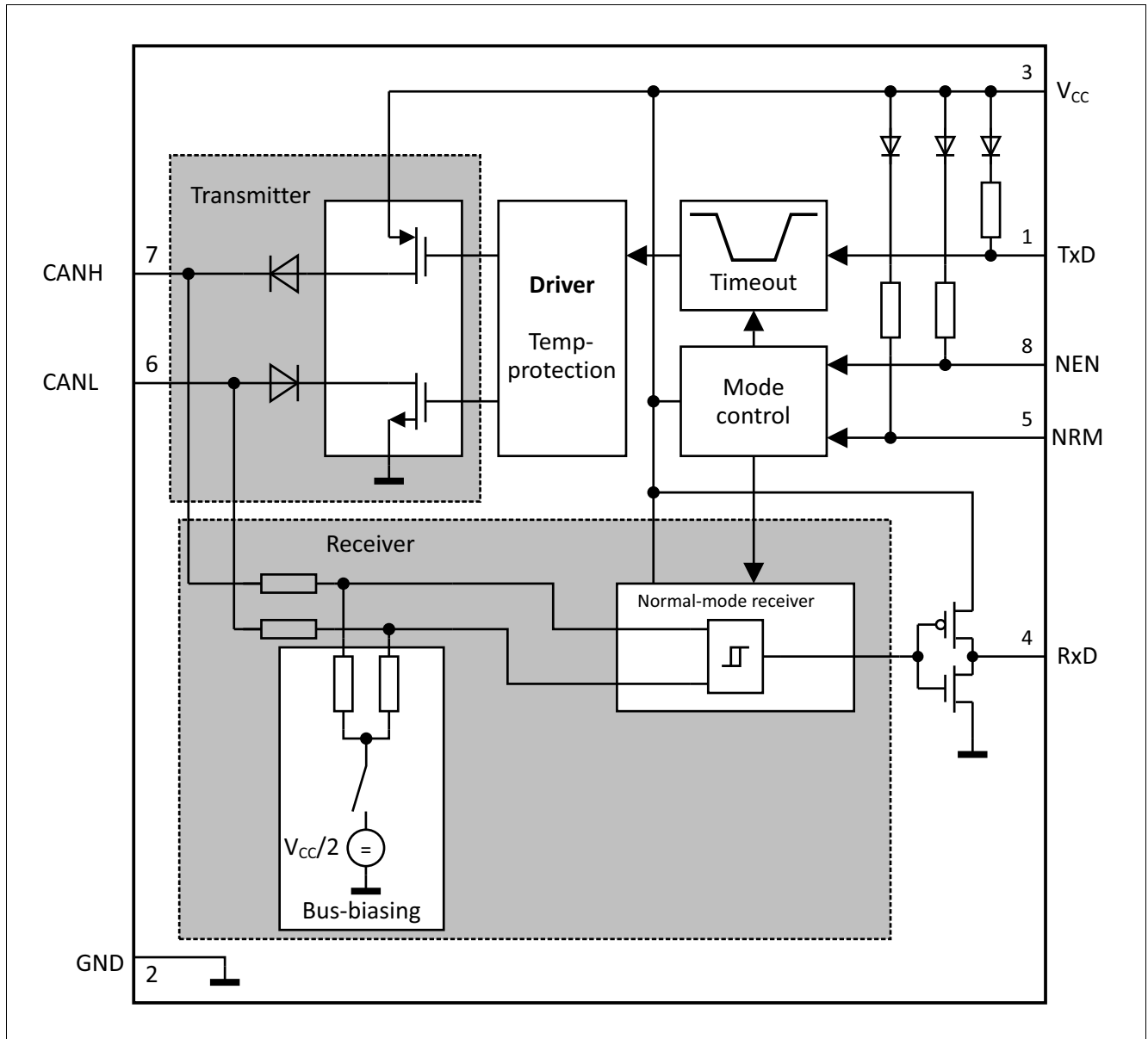


Figure 1 Functional block diagram

3 Pin Configuration

3.1 Pin Assignment

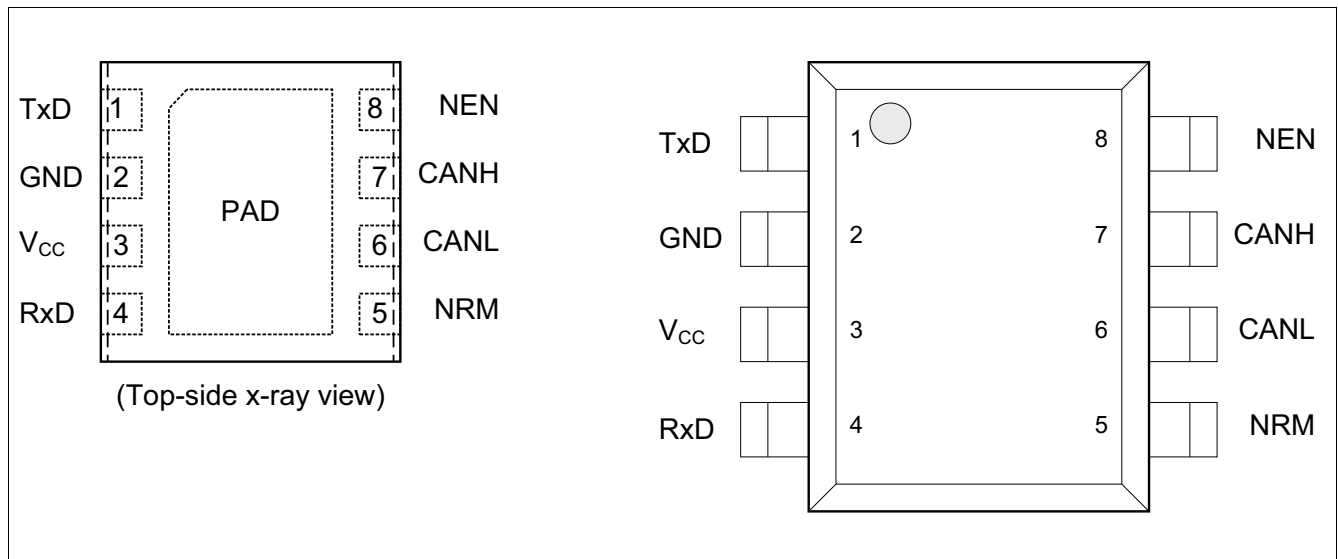


Figure 2 Pin configuration

3.2 Pin Definitions

Table 1 Pin definitions and functions

Pin No.	Symbol	Function
1	TxD	Transmit Data Input; internal pull-up to V_{CC} , “low” for “dominant” state.
2	GND	Ground
3	V_{CC}	Transmitter Supply Voltage; 100 nF decoupling capacitor to GND required.
4	RxD	Receive Data Output; “low” in “dominant” state.
5	NRM	Not Receive-Only Mode Input; control input for selecting receive-only mode, internal pull-up to V_{CC} , “low” for receive-only mode.
6	CANL	CAN Bus Low Level I/O; “low” in “dominant” state.
7	CANH	CAN Bus High Level I/O; “high” in “dominant” state.

Table 1 Pin definitions and functions (cont'd)

Pin No.	Symbol	Function
8	NEN	Not Enable Input; internal pull-up to V_{CC} , “low” for normal-operating mode or receive-only mode.
PAD	–	Connect to PCB heat sink area. Do not connect to other potential than GND.

4 Functional Description

HS CAN is a serial bus system that connects microcontrollers, sensors and actuators for real-time control applications. The use of the Controller Area Network (abbreviated CAN) within road vehicles is described by the international standard ISO 11898. According to the 7-layer OSI reference model the physical layer of a HS CAN bus system specifies the data transmission from one CAN node to all other available CAN nodes within the network. The physical layer specification of a CAN bus system includes all electrical and mechanical specifications of a CAN network. The CAN transceiver is part of the physical layer specification. Several different physical layer standards of CAN networks have been developed in recent years. The TLE7250 is a High Speed CAN transceiver without a wake-up function and defined by the international standard ISO11898-2.

4.1 High Speed CAN Physical Layer

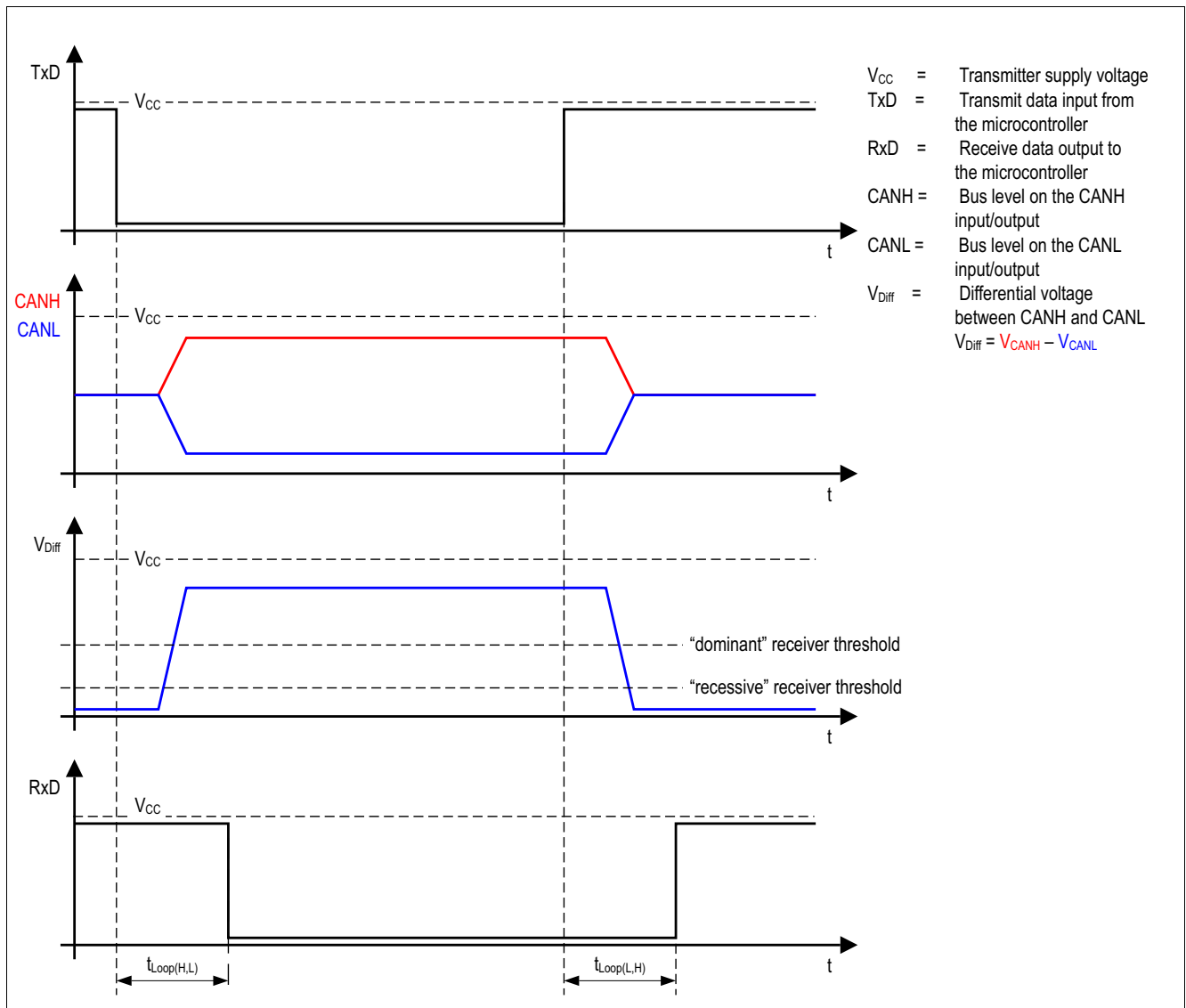


Figure 3 High speed CAN bus signals and logic signals

The TLE7250 is a High-Speed CAN transceiver, operating as an interface between the CAN controller and the physical bus medium. A HS CAN network is a two wire, differential network which allows data transmission rates for CAN FD frames up to 2 MBit/s. Characteristic for HS CAN networks are the two signal states on the HS CAN bus: “dominant” and “recessive” (see [Figure 3](#)).

V_{CC} and GND are the supply pins for the TLE7250. The pins CANH and CANL are the interface to the HS CAN bus and operate in both directions, as an input and as an output. RxD and TxD pins are the interface to the CAN controller, the TxD pin is an input pin and the RxD pin is an output pin. The NEN and NRM pins are the input pins for the mode selection (see [Figure 4](#)).

By setting the TxD input pin to logical “low” the transmitter of the TLE7250 drives a “dominant” signal to the CANH and CANL pins. Setting TxD input to logical “high” turns off the transmitter and the output voltage on CANH and CANL discharges towards the “recessive” level. The “recessive” output voltage is provided by the bus-biasing (see [Figure 1](#)). The output of the transmitter is considered to be “dominant”, when the voltage difference between CANH and CANL is at least higher than 1.5 V ($V_{Diff} = V_{CANH} - V_{CANL}$).

Parallel to the transmitter the normal-mode receiver monitors the signal on the CANH and CANL pins and indicates it on the RxD output pin. A “dominant” signal on the CANH and CANL pins sets the RxD output pin to logical “low”, vice versa a “recessive” signal sets the RxD output to logical “high”. The normal-mode receiver considers a voltage difference (V_{Diff}) between CANH and CANL above 0.9 V as “dominant” and below 0.5 V as “recessive”.

To be conform with HS CAN features, like the bit to bit arbitration, the signal on the RxD output has to follow the signal on the TxD input within a defined loop delay $t_{Loop} \leq 255$ ns.

4.2 Modes of Operation

The TLE7250 supports three different modes of operation, power-save mode, receive-only mode and normal-operating mode while the transceiver is supplied according to the specified functional range. The mode of operation is selected by the NEN and the NRM input pins (see [Figure 4](#)).

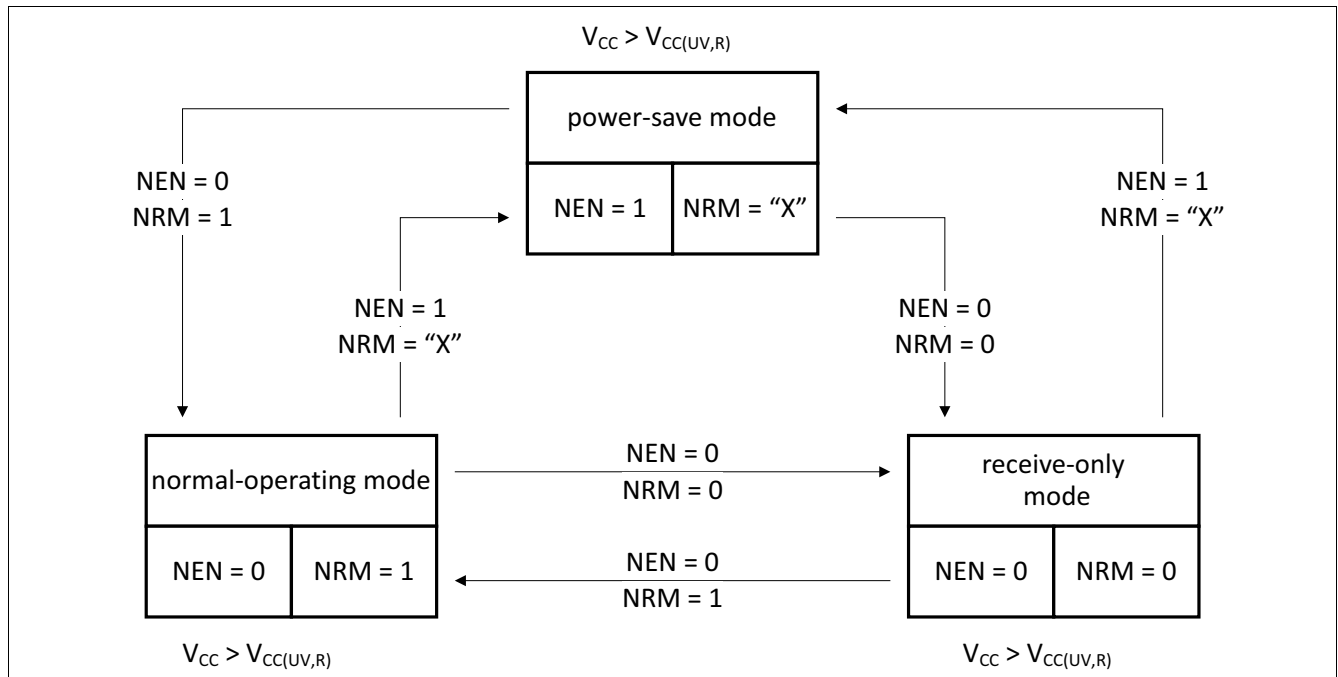


Figure 4 Mode state diagram

4.2.1 Normal-operating Mode

In normal-operating mode the transmitter and the receiver of the HS CAN transceiver TLE7250 are active (see [Figure 1](#)). The HS CAN transceiver sends the serial data stream on the TxD input pin to the CAN bus. The data on the CAN bus is displayed at the RxD pin simultaneously. A logical "low" signal on the NEN pin and a logical "high" signal on the NRM pin selects the normal-operating mode, while the transceiver is supplied by V_{CC} (see [Table 2](#) for details).

4.2.2 Power-save Mode

The power-save mode is an idle mode of the TLE7250 with optimized power consumption. In power-save mode the transmitter and the normal-mode receiver are turned off. The TLE7250 can not send any data to the HS CAN bus nor receive any data from the HS CAN bus.

The RxD output pin is permanently "high" in the power-save mode.

A logical "high" signal on the NEN pin selects the power-save mode, while the transceiver is supplied by the transmitter supply V_{CC} (see [Table 2](#) for details).

In power-save mode the bus input pins are not biased. Therefore the CANH and CANL input pins are floating and the HS CAN bus interface has a high resistance.

4.2.3 Receive-only Mode

In receive-only mode the normal-mode receiver is active and the transmitter is turned off. The TLE7250 can receive data from the HS CAN bus, but cannot send any data to the HS CAN bus.

A logical "low" signal on the NEN pin and a logical "low" signal on the NRM pin selects the receive-only mode, while the transceiver is supplied by V_{CC} (see [Table 2](#) for details).

4.3 Power-up and Undervoltage Condition

By detecting an undervoltage event or by switching off the transmitter power supply V_{CC} , the transceiver TLE7250 changes the mode of operation (details see [Figure 5](#)).

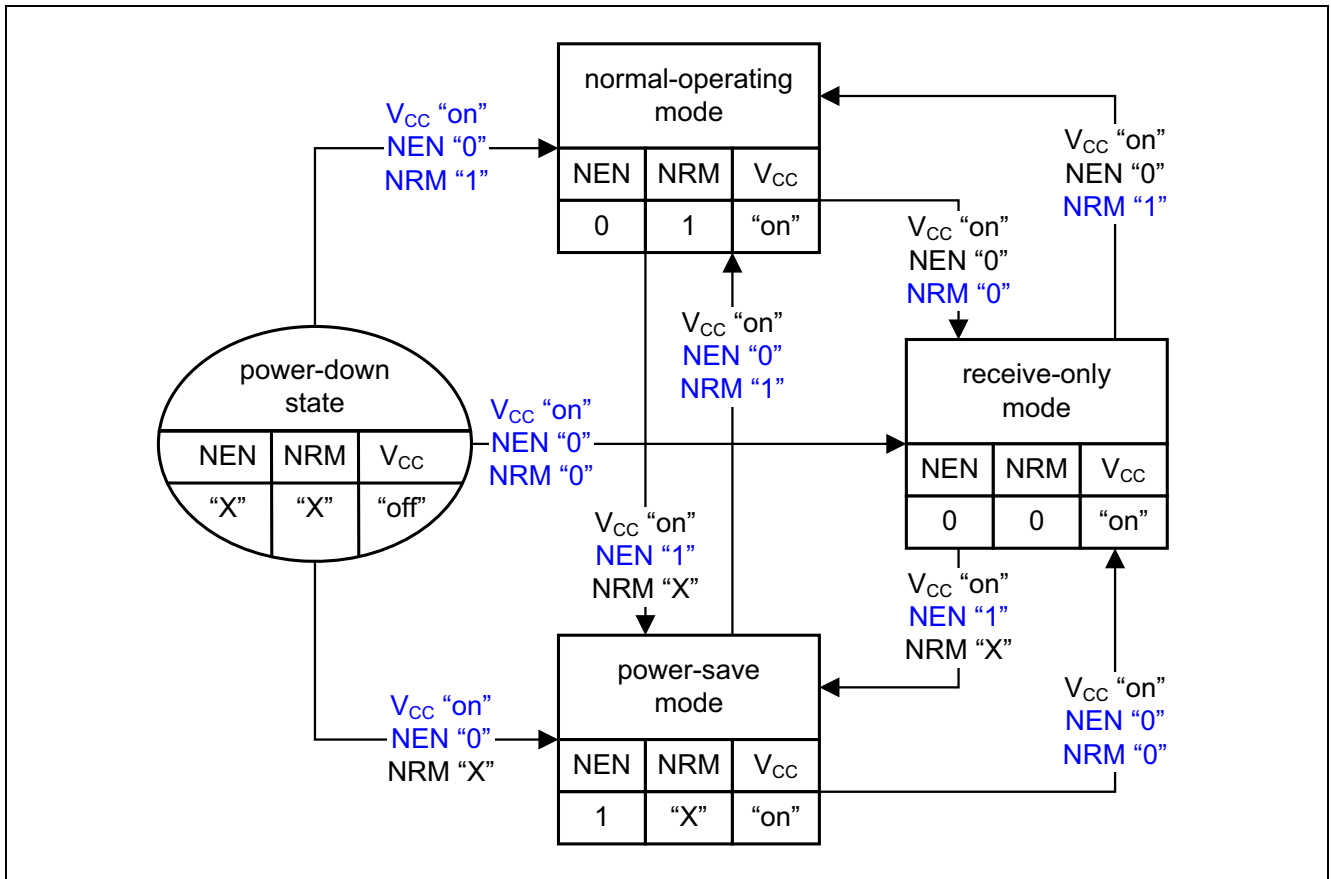


Figure 5 Power-up and undervoltage

Table 2 Modes of operation

Mode	NEN	NRM	V _{CC}	Bus-bias	Transmitter	Normal-mode Receiver	Low-power Receiver
Normal-operating	"low"	"high"	"on"	$V_{CC}/2$	"on"	"on"	not available
Power-save	"high"	"X"	"on"	floating	"off"	"off"	not available
Receive-only	"low"	"low"	"on"	$V_{CC}/2$	"off"	"on"	not available
Power-down state	"X"	"X"	"off"	floating	"off"	"off"	not available

4.3.1 Power-down State

Independent of the NEN and NRM input pins the TLE7250 is in power-down state when the transmitter supply voltage V_{CC} is turned off (see [Figure 5](#)).

In the power-down state the input resistors of the receiver are disconnected from the bus biasing $V_{CC}/2$. The CANH and CANL bus interface of the TLE7250 is floating and acts as a high-impedance input with a very small leakage current. The high-ohmic input does not influence the “recessive” level of the CAN network and allows an optimized EME performance of the entire HS CAN network (see also [Table 2](#)).

4.3.2 Power-up

The HS CAN transceiver TLE7250 powers up if the transmitter supply V_{CC} is connected to the device. By default the device powers up in power-save mode, due to the internal pull-up resistor on the NEN pin to V_{CC} .

In case the device needs to power-up to normal-operating mode, the NEN pin needs to be pulled active to logical “low” while the NRM pin is logical “high” (see [Figure 5](#)).

4.3.3 Undervoltage on the Transmitter Supply V_{CC}

In case the transmitter supply V_{CC} falls below the threshold $V_{CC} < V_{CC(UV,F)}$, the transceiver TLE7250 can not provide the correct bus levels to the CANH and CANL anymore. The normal-mode receiver is powered by the transmitter supply V_{CC} . In case of insufficient V_{CC} supply the TLE7250 can neither transmit the CANH and CANL signals correctly to bus nor can it receive them properly. Therefore the TLE7250 powers down and blocks both, the transmitter and the receiver.

The transceiver TLE7250 powers up again, when the transmitter supply V_{CC} recovers from the undervoltage condition.

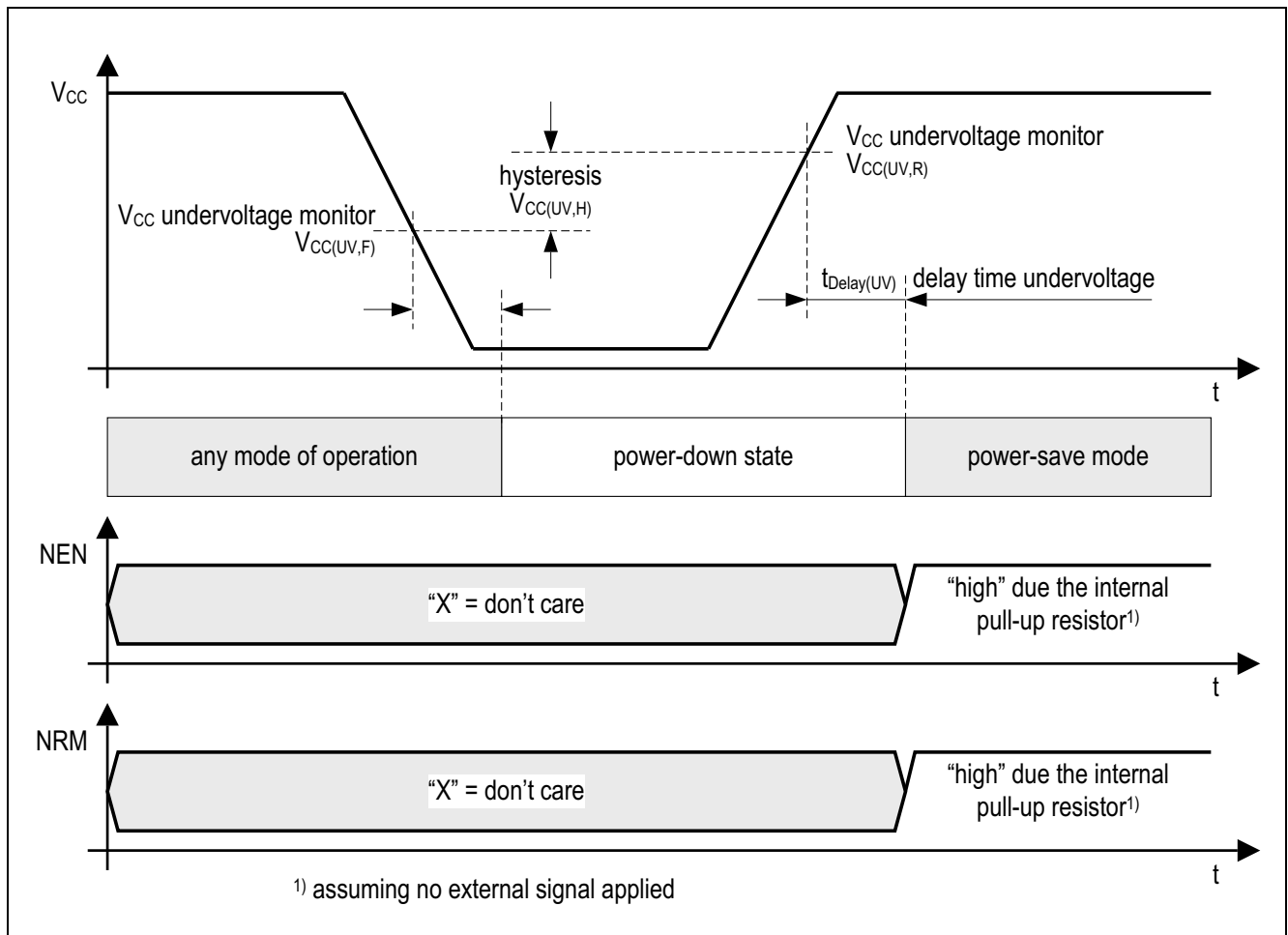


Figure 6 Undervoltage on the transmitter supply V_{CC}

5 Fail Safe Functions

5.1 Short Circuit Protection

The CANH and CANL bus outputs are short circuit proof, either against GND or a positive supply voltage. A current limiting circuit protects the transceiver against damages. If the device is heating up due to a continuous short on the CANH or CANL, the internal overtemperature protection switches off the bus transmitter.

5.2 Unconnected Logic Pins

All logic input pins have an internal pull-up resistor to V_{CC} . In case the V_{CC} supply is activated and the logical pins are open, the TLE7250 enters into the power-save mode by default. In power-save mode the transmitter of the TLE7250 is disabled and the bus bias is floating.

5.3 TxD Time-out Function

The TxD time-out feature protects the CAN bus against permanent blocking in case the logical signal on the TxD pin is continuously “low”. A continuous “low” signal on the TxD pin might have its root cause in a locked-up microcontroller or in a short circuit on the printed circuit board, for example. In normal-operating mode, a logical “low” signal on the TxD pin for the time $t > t_{TxD}$ enables the TxD time-out feature and the TLE7250 disables the transmitter (see [Figure 7](#)). The receiver is still active and the data on the bus continues to be monitored by the RxD output pin.

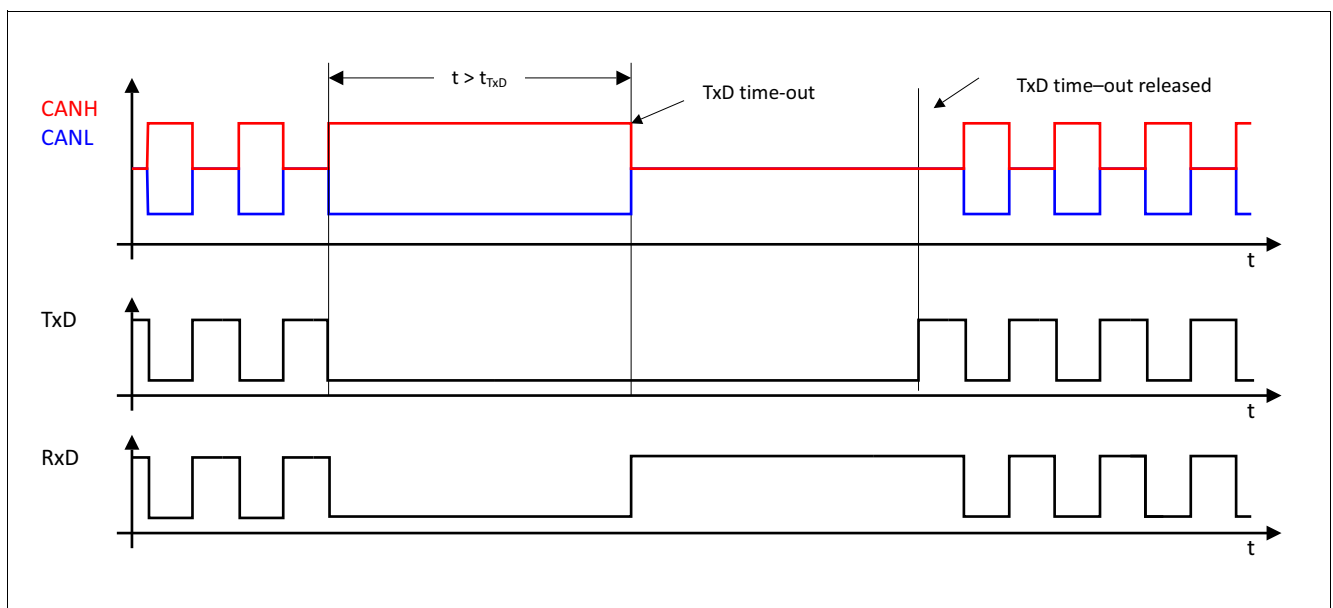


Figure 7 TxD time-out function

Figure 7 illustrates how the transmitter is deactivated and activated again. A permanent “low” signal on the TxD input pin activates the TxD time-out function and deactivates the transmitter. To release the transmitter after a TxD time-out event the TLE7250 requires a signal change on the TxD input pin from logical “low” to logical “high”.

5.4 Overtemperature Protection

The TLE7250 has an integrated overtemperature detection to protect the TLE7250 against thermal overstress of the transmitter. The overtemperature protection is active in normal-operating mode and disabled in power-save mode and receive-only mode. In case of an overtemperature condition, the temperature sensor will disable the transmitter (see [Figure 1](#)) while the transceiver remains in normal-operating mode.

After the device has cooled down the transmitter is activated again (see [Figure 8](#)). A hysteresis is implemented within the temperature sensor.

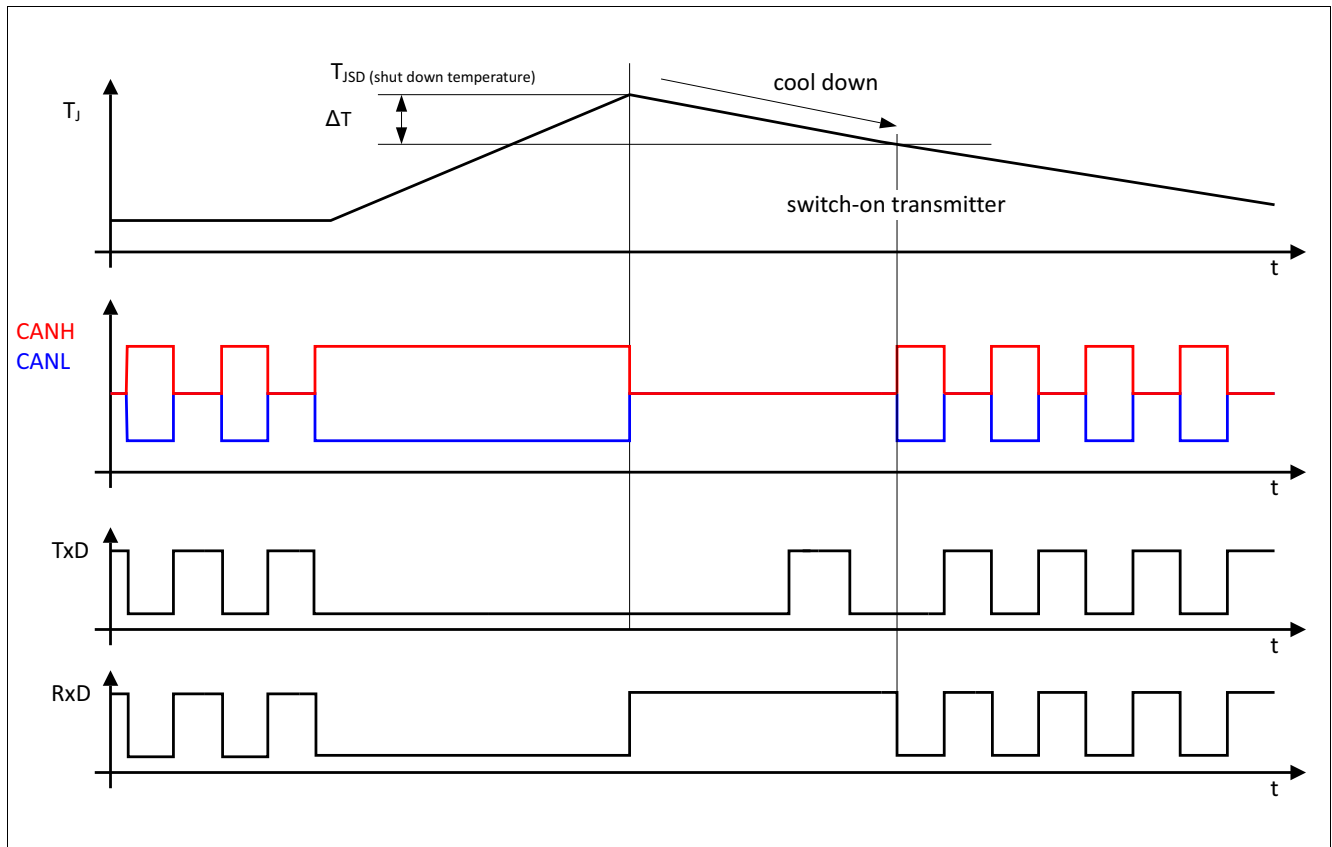


Figure 8 Overtemperature protection

5.5 Delay Time for Mode Change

The HS CAN transceiver TLE7250 changes the mode of operation within the time window t_{Mode} . Depending on the selected mode of operation, the RxD output pin is set to logical "high" during the mode change.

In this case the RxD output does not reflect the status on the CANH and CANL input pins (see as an example [Figure 13](#) and [Figure 14](#)).

6 General Product Characteristics

6.1 Absolute Maximum Ratings

Table 3 Absolute maximum ratings voltages, currents and temperatures¹⁾

All voltages with respect to ground; positive current flowing into pin;
(unless otherwise specified)

Parameter	Symbol	Values			Unit	Note / Test Condition	Number
		Min.	Typ.	Max.			
Voltages							
Transmitter supply voltage	V_{CC}	-0.3	–	6.0	V	–	P_6.1.1
CANH DC voltage versus GND	V_{CANH}	-40	–	40	V	–	P_6.1.2
CANL DC voltage versus GND	V_{CANL}	-40	–	40	V	–	P_6.1.3
Differential voltage between CANH and CANL	$V_{CAN\ SDiff}$	-40	–	40	V	–	P_6.1.4
Voltages at the input pins: NEN, NRM, TxD	V_{MAX_IN}	-0.3	–	6.0	V	–	P_6.1.5
Voltages at the output pin: RxD	V_{MAX_OUT}	-0.3	–	V_{CC}	V	–	P_6.1.6
Currents							
RxD output current	I_{RxD}	-20	–	20	mA	–	P_6.1.7
Temperatures							
Junction temperature	T_j	-40	–	150	°C	–	P_6.1.8
Storage temperature	T_S	-55	–	150	°C	–	P_6.1.9
ESD Resistivity							
ESD immunity at CANH, CANL versus GND	$V_{ESD_HBM_CAN}$	-9	–	9	kV	HBM (100 pF via 1.5 kΩ) ²⁾	P_6.1.10
ESD immunity at all other pins	$V_{ESD_HBM_ALL}$	-2	–	2	kV	HBM (100 pF via 1.5 kΩ) ²⁾	P_6.1.11
ESD immunity to GND	V_{ESD_CDM}	-750	–	750	V	CDM ³⁾	P_6.1.12

1) Not subject to production test, specified by design

2) ESD susceptibility, Human Body Model "HBM" according to ANSI/ESDA/JEDEC JS-001

3) ESD susceptibility, Charge Device Model "CDM" according to EIA/JESD22-C101 or ESDA STM5.3.1

Note: Stresses above the ones listed here may cause permanent damage to the device. Exposure to absolute maximum rating conditions for extended periods may affect device reliability. Integrated protection functions are designed to prevent IC destruction under fault conditions described in the data sheet. Fault conditions are considered as "outside" normal-operating range. Protection functions are not designed for continuous repetitive operation.

6.2 Functional Range

Table 4 Functional range

Parameter	Symbol	Values			Unit	Note / Test Condition	Number
		Min.	Typ.	Max.			
Supply Voltages							
Transmitter supply voltage	V_{CC}	4.5	–	5.5	V	–	P_6.2.1
Thermal Parameters							
Junction temperature	T_j	-40	–	150	°C	1)	P_6.2.2

1) Not subject to production test, specified by design.

Note: Within the functional range the IC operates as described in the circuit description. The electrical characteristics are specified within the conditions given in the related electrical characteristics table.

6.3 Thermal Resistance

Note: This thermal data was generated in accordance with JEDEC JESD51 standards. For more information, please visit www.jedec.org.

Table 5 Thermal resistance¹⁾

Parameter	Symbol	Values			Unit	Note / Test Condition	Number
		Min.	Typ.	Max.			
Thermal Resistances							
Junction to Ambient PG-TSON-8	R_{thJA}	–	55	–	K/W	²⁾ TLE7250LE	P_6.3.1
Junction to Ambient PG-DSO-8	R_{thJA}	–	130	–	K/W	²⁾ TLE7250SJ	P_6.3.4
Thermal Shutdown (junction temperature)							
Thermal shutdown temperature	T_{JSD}	150	175	200	°C	–	P_6.3.2
Thermal shutdown hysteresis	ΔT	–	10	–	K	–	P_6.3.3

1) Not subject to production test, specified by design

2) Specified R_{thJA} value is according to Jedec JESD51-2,-7 at natural convection on FR4 2s2p board. The product (TLE7250) was simulated on a 76.2 x 114.3 x 1.5 mm board with 2 inner copper layers (2 x 70µm Cu, 2 x 35µm Cu).

7 Electrical Characteristics

7.1 Functional Device Characteristics

Table 6 Electrical characteristics

4.5 V < V_{CC} < 5.5 V; $R_L = 60 \Omega$; $-40 \text{ }^\circ\text{C} < T_j < 150 \text{ }^\circ\text{C}$; all voltages with respect to ground; positive current flowing into pin; unless otherwise specified.

Parameter	Symbol	Values			Unit	Note / Test Condition	Number
		Min.	Typ.	Max.			
Current Consumption							
Current consumption at V_{CC} normal-operating mode	I_{CC}	–	2.6	5	mA	“recessive” state, $V_{TXD} = V_{NRM} = V_{CC}$, $V_{NEN} = 0 \text{ V}$;	P_7.1.1
Current consumption at V_{CC} normal-operating mode	I_{CC}	–	38	60	mA	“dominant” state, $V_{TXD} = V_{NEN} = 0 \text{ V}$, $V_{NRM} = V_{CC}$;	P_7.1.2
Current consumption at V_{CC} receive-only mode	$I_{CC(ROM)}$	–	2	3	mA	$V_{NEN} = V_{NRM} = 0 \text{ V}$;	P_7.1.3
Current consumption at V_{CC} power-save mode	$I_{CC(PSM)}$	–	5	12	μA	$V_{TXD} = V_{NEN} = V_{NRM} = V_{CC}$;	P_7.1.4
Supply Resets							
V_{CC} undervoltage monitor rising edge	$V_{CC(UV,R)}$	3.8	4.0	4.3	V	–	P_7.1.5
V_{CC} undervoltage monitor falling edge	$V_{CC(UV,F)}$	3.65	3.85	4.3	V	–	P_7.1.52
V_{CC} undervoltage monitor hysteresis	$V_{CC(UV,H)}$	–	150	–	mV	¹⁾	P_7.1.6
V_{CC} undervoltage delay time	$t_{\text{Delay(UV)}}$	–	–	100	μs	¹⁾ (see Figure 6);	P_7.1.7
Receiver Output RxD							
“High” level output current	$I_{RD,H}$	–	-4	-2	mA	$V_{RXD} = V_{CC} - 0.4 \text{ V}$, $V_{\text{Diff}} < 0.5 \text{ V}$;	P_7.1.8
“Low” level output current	$I_{RD,L}$	2	4	–	mA	$V_{RXD} = 0.4 \text{ V}$, $V_{\text{Diff}} > 0.9 \text{ V}$;	P_7.1.9

Table 6 Electrical characteristics (cont'd)

4.5 V < V_{CC} < 5.5 V; $R_L = 60 \Omega$; $-40 \text{ }^\circ\text{C} < T_j < 150 \text{ }^\circ\text{C}$; all voltages with respect to ground; positive current flowing into pin; unless otherwise specified.

Parameter	Symbol	Values			Unit	Note / Test Condition	Number
		Min.	Typ.	Max.			
Transmission Input TxD							
“High” level input voltage threshold	$V_{\text{TxD,H}}$	–	$0.5 \times V_{\text{CC}}$	$0.7 \times V_{\text{CC}}$	V	“recessive” state;	P_7.1.10
“Low” level input voltage threshold	$V_{\text{TxD,L}}$	$0.3 \times V_{\text{CC}}$	$0.4 \times V_{\text{CC}}$	–	V	“dominant” state;	P_7.1.11
Pull-up resistance	R_{TxD}	10	25	50	k Ω	–	P_7.1.12
Input hysteresis	$V_{\text{HYS(TxD)}}$	–	450	–	mV	¹⁾	P_7.1.13
Input capacitance	C_{TxD}	–	–	10	pF	¹⁾	P_7.1.14
TxD permanent “dominant” time-out	t_{TxD}	4.5	–	16	ms	normal-operating mode;	P_7.1.15
Not Enable Input NEN							
“High” level input voltage threshold	$V_{\text{NEN,H}}$	–	$0.5 \times V_{\text{CC}}$	$0.7 \times V_{\text{CC}}$	V	power-save mode;	P_7.1.16
“Low” level input voltage threshold	$V_{\text{NEN,L}}$	$0.3 \times V_{\text{CC}}$	$0.4 \times V_{\text{CC}}$	–	V	normal-operating mode, receive-only mode;	P_7.1.17
Pull-up resistance	R_{NEN}	10	25	50	k Ω	–	P_7.1.18
Input capacitance	C_{NEN}	–	–	10	pF	¹⁾	P_7.1.19
Input hysteresis	$V_{\text{HYS(NEN)}}$	–	200	–	mV	¹⁾	P_7.1.20
Not Receive-only Input NRM							
“High” level input voltage threshold	$V_{\text{NRM,H}}$	–	$0.5 \times V_{\text{CC}}$	$0.7 \times V_{\text{CC}}$	V	normal-operating mode, power-save mode;	P_7.1.21
“Low” level input voltage threshold	$V_{\text{NRM,L}}$	$0.3 \times V_{\text{CC}}$	$0.4 \times V_{\text{CC}}$	–	V	receive-only mode, power-save mode;	P_7.1.22
Pull-up resistance	R_{NRM}	10	25	50	k Ω	–	P_7.1.23
Input capacitance	C_{NRM}	–	–	10	pF	¹⁾	P_7.1.24
Input hysteresis	$V_{\text{NRM(HYS)}}$	–	200	–	mV	¹⁾	P_7.1.25
Bus Receiver							
Differential receiver threshold “dominant” normal-operating mode and receive-only mode	$V_{\text{Diff_D}}$	–	0.75	0.9	V	²⁾	P_7.1.26
Differential receiver threshold “recessive” normal-operating mode and receive-only mode	$V_{\text{Diff_R}}$	0.5	0.66	–	V	²⁾	P_7.1.27
Common mode range	CMR	-12	–	12	V	$V_{\text{CC}} = 5 \text{ V}$;	P_7.1.28
Differential receiver hysteresis normal-operating mode	$V_{\text{Diff,hys}}$	–	90	–	mV	¹⁾	P_7.1.29
CANH, CANL input resistance	R_i	10	20	30	k Ω	“recessive” state;	P_7.1.30

Table 6 Electrical characteristics (cont'd)

4.5 V < V_{CC} < 5.5 V; $R_L = 60 \Omega$; $-40 \text{ }^\circ\text{C} < T_j < 150 \text{ }^\circ\text{C}$; all voltages with respect to ground; positive current flowing into pin; unless otherwise specified.

Parameter	Symbol	Values			Unit	Note / Test Condition	Number
		Min.	Typ.	Max.			
Differential input resistance	R_{Diff}	20	40	60	k Ω	"recessive" state;	P_7.1.31
Input resistance deviation between CANH and CANL	ΔR_i	-1	-	1	%	¹⁾ "recessive" state;	P_7.1.32
Input capacitance CANH, CANL versus GND	C_{In}	-	20	40	pF	¹⁾ $V_{\text{TXD}} = V_{\text{CC}}$;	P_7.1.33
Differential input capacitance	C_{InDiff}	-	10	20	pF	¹⁾ $V_{\text{TXD}} = V_{\text{CC}}$;	P_7.1.34
Bus Transmitter							
CANL/CANH "recessive" output voltage normal-operating mode	$V_{\text{CANL/H}}$	2.0	2.5	3.0	V	$V_{\text{TXD}} = V_{\text{CC}}$, no load;	P_7.1.35
CANH, CANL "recessive" output voltage difference normal-operating mode	$V_{\text{Diff_NM}}$	-500	-	50	mV	$V_{\text{TXD}} = V_{\text{CC}}$, no load;	P_7.1.36
CANL "dominant" output voltage normal-operating mode	V_{CANL}	0.5	-	2.25	V	$V_{\text{TXD}} = 0 \text{ V}$;	P_7.1.37
CANH "dominant" output voltage normal-operating mode	V_{CANH}	2.75	-	4.5	V	$V_{\text{TXD}} = 0 \text{ V}$;	P_7.1.38
CANH, CANL "dominant" output voltage difference normal-operating mode according to ISO 11898-2 $V_{\text{Diff}} = V_{\text{CANH}} - V_{\text{CANL}}$	V_{Diff}	1.5	-	3.0	V	$V_{\text{TXD}} = 0 \text{ V}$, $50 \Omega < R_L < 65 \Omega$, $4.75 < V_{\text{CC}} < 5.25 \text{ V}$;	P_7.1.39
CANH, CANL "dominant" output voltage difference normal-operating mode $V_{\text{Diff}} = V_{\text{CANH}} - V_{\text{CANL}}$	$V_{\text{Diff_R45}}$	1.4	-	3.0	V	$V_{\text{TXD}} = 0 \text{ V}$, $45 \Omega < R_L < 50 \Omega$, $4.75 < V_{\text{CC}} < 5.25 \text{ V}$;	P_7.1.53
Driver "dominant" symmetry normal-operating mode $V_{\text{SYM}} = V_{\text{CANH}} + V_{\text{CANL}}$	V_{SYM}	4.5	5	5.5	V	$V_{\text{CC}} = 5.0 \text{ V}$, $V_{\text{TXD}} = 0 \text{ V}$;	P_7.1.40
CANL short circuit current	I_{CANLsc}	40	75	100	mA	$V_{\text{CANLshort}} = 18 \text{ V}$, $V_{\text{CC}} = 5.0 \text{ V}$, $t < t_{\text{TXD}}$, $V_{\text{TXD}} = 0 \text{ V}$;	P_7.1.41
CANH short circuit current	I_{CANHsc}	-100	-75	-40	mA	$V_{\text{CANHshort}} = 0 \text{ V}$, $V_{\text{CC}} = 5.0 \text{ V}$, $t < t_{\text{TXD}}$, $V_{\text{TXD}} = 0 \text{ V}$;	P_7.1.42
Leakage current, CANH	$I_{\text{CANH,IK}}$	-5	-	5	μA	$V_{\text{CC}} = 0 \text{ V}$, $0 \text{ V} < V_{\text{CANH}} < 5 \text{ V}$, $V_{\text{CANH}} = V_{\text{CANL}}$;	P_7.1.43

Table 6 Electrical characteristics (cont'd)

4.5 V < V_{CC} < 5.5 V; $R_L = 60 \Omega$; $-40 \text{ }^\circ\text{C} < T_j < 150 \text{ }^\circ\text{C}$; all voltages with respect to ground; positive current flowing into pin; unless otherwise specified.

Parameter	Symbol	Values			Unit	Note / Test Condition	Number
		Min.	Typ.	Max.			
Leakage current, CANL	$I_{CANL,IK}$	-5	–	5	μA	$V_{CC} = 0 \text{ V}$, $0 \text{ V} < V_{CANL} < 5 \text{ V}$, $V_{CANH} = V_{CANL}$;	P_7.1.44

Dynamic CAN-Transceiver Characteristics

Propagation delay TxD-to-RxD “low” (“recessive to “dominant”)	$t_{Loop(H,L)}$	–	180	255	ns	$C_L = 100 \text{ pF}$, $4.75 \text{ V} < V_{CC} < 5.25 \text{ V}$, $C_{RxD} = 15 \text{ pF}$;	P_7.1.45
Propagation delay TxD-to-RxD “high” (“dominant” to “recessive”)	$t_{Loop(L,H)}$	–	180	255	ns	$C_L = 100 \text{ pF}$, $4.75 \text{ V} < V_{CC} < 5.25 \text{ V}$, $C_{RxD} = 15 \text{ pF}$;	P_7.1.46
Propagation delay extended load TxD-to-RxD “low” (“recessive to “dominant”)	$t_{Loop_Ext(H,L)}$	–	–	300	ns	¹⁾ $C_L = 200 \text{ pF}$, $R_L = 120 \Omega$, $4.75 \text{ V} < V_{CC} < 5.25 \text{ V}$, $C_{RxD} = 15 \text{ pF}$;	P_7.1.54
Propagation delay extended load TxD-to-RxD “high” (“dominant” to “recessive”)	$t_{Loop_Ext(L,H)}$	–	–	300	ns	¹⁾ $C_L = 200 \text{ pF}$, $R_L = 120 \Omega$, $4.75 \text{ V} < V_{CC} < 5.25 \text{ V}$, $C_{RxD} = 15 \text{ pF}$;	P_7.1.55
Propagation delay TxD “low” to bus “dominant”	$t_{d(L),T}$	–	90	140	ns	$C_L = 100 \text{ pF}$, $4.75 \text{ V} < V_{CC} < 5.25 \text{ V}$, $C_{RxD} = 15 \text{ pF}$;	P_7.1.47
Propagation delay TxD “high” to bus “recessive”	$t_{d(H),T}$	–	90	140	ns	$C_L = 100 \text{ pF}$, $4.75 \text{ V} < V_{CC} < 5.25 \text{ V}$, $C_{RxD} = 15 \text{ pF}$;	P_7.1.48
Propagation delay bus “dominant” to RxD “low”	$t_{d(L),R}$	–	90	140	ns	$C_L = 100 \text{ pF}$, $4.75 \text{ V} < V_{CC} < 5.25 \text{ V}$, $C_{RxD} = 15 \text{ pF}$;	P_7.1.49
Propagation delay bus “recessive” to RxD “high”	$t_{d(H),R}$	–	90	140	ns	$C_L = 100 \text{ pF}$, $4.75 \text{ V} < V_{CC} < 5.25 \text{ V}$, $C_{RxD} = 15 \text{ pF}$;	P_7.1.50

Delay Times

Delay time for mode change	t_{Mode}	–	–	20	μs	¹⁾ (see Figure 13 and Figure 14);	P_7.1.51
----------------------------	------------	---	---	----	---------------	---	----------

Table 6 Electrical characteristics (cont'd)

4.5 V < V_{CC} < 5.5 V; $R_L = 60 \Omega$; $-40 \text{ }^\circ\text{C} < T_j < 150 \text{ }^\circ\text{C}$; all voltages with respect to ground; positive current flowing into pin; unless otherwise specified.

Parameter	Symbol	Values			Unit	Note / Test Condition	Number
		Min.	Typ.	Max.			
CAN FD Characteristics							
Received recessive bit width at 2 MBit/s	$t_{\text{Bit(RxD)}}_{2\text{MB}}$	400	500	550	ns	$C_L = 100 \text{ pF}$, $4.75 \text{ V} < V_{CC} < 5.25 \text{ V}$, $C_{\text{RxD}} = 15 \text{ pF}$, $t_{\text{Bit}} = 500 \text{ ns}$, (see Figure 11);	P_7.1.59
Transmitted recessive bit width at 2 MBit/s	$t_{\text{Bit(Bus)}}_{2\text{MB}}$	435	500	530	ns	$C_L = 100 \text{ pF}$, $4.75 \text{ V} < V_{CC} < 5.25 \text{ V}$, $C_{\text{RxD}} = 15 \text{ pF}$, $t_{\text{Bit}} = 500 \text{ ns}$, (see Figure 11);	P_7.1.56
Receiver timing symmetry at 2 MBit/s $\Delta t_{\text{Rec}} = t_{\text{Bit(RxD)}} - t_{\text{Bit(Bus)}}$	$\Delta t_{\text{Rec}_2\text{MB}}$	-65	–	40	ns	$C_L = 100 \text{ pF}$, $4.75 \text{ V} < V_{CC} < 5.25 \text{ V}$, $C_{\text{RxD}} = 15 \text{ pF}$, $t_{\text{Bit}} = 500 \text{ ns}$, (see Figure 11);	P_7.1.57

- 1) Not subject to production test, specified by design.
- 2) In respect to the common mode range.

7.2 Diagrams

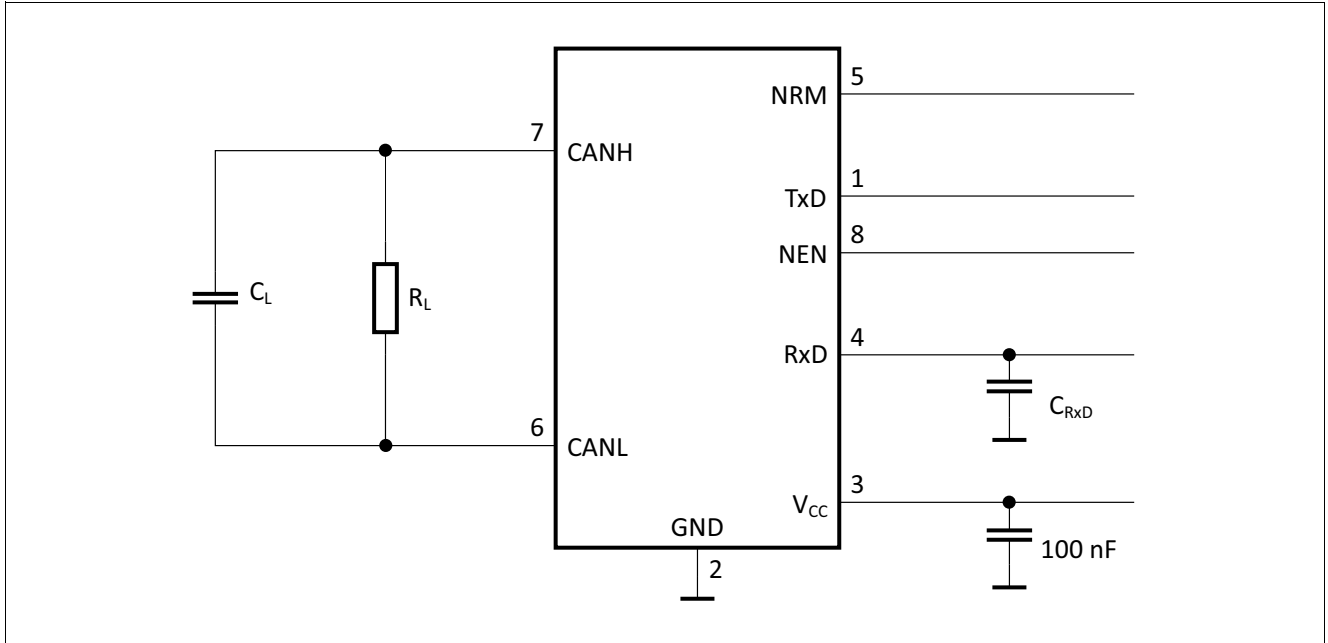


Figure 9 Test circuits for dynamic characteristics

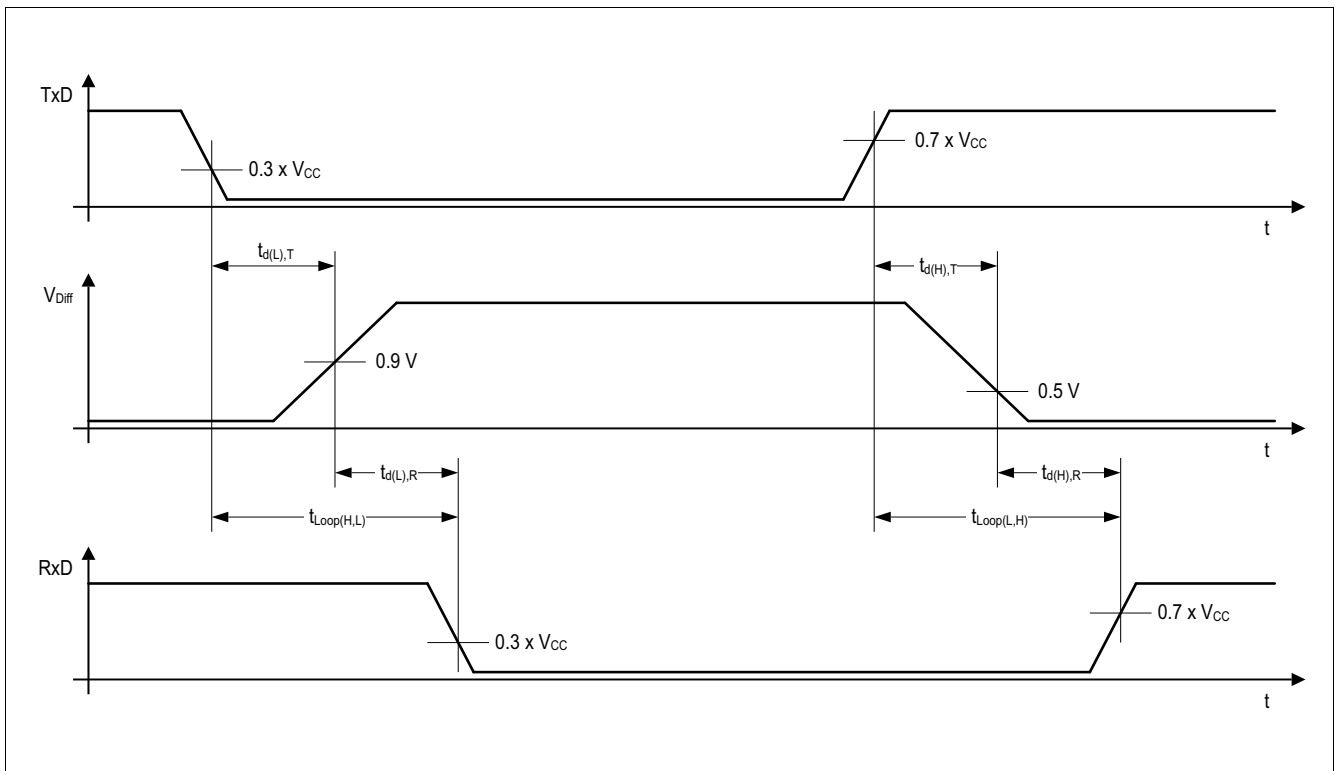


Figure 10 Timing diagrams for dynamic characteristics

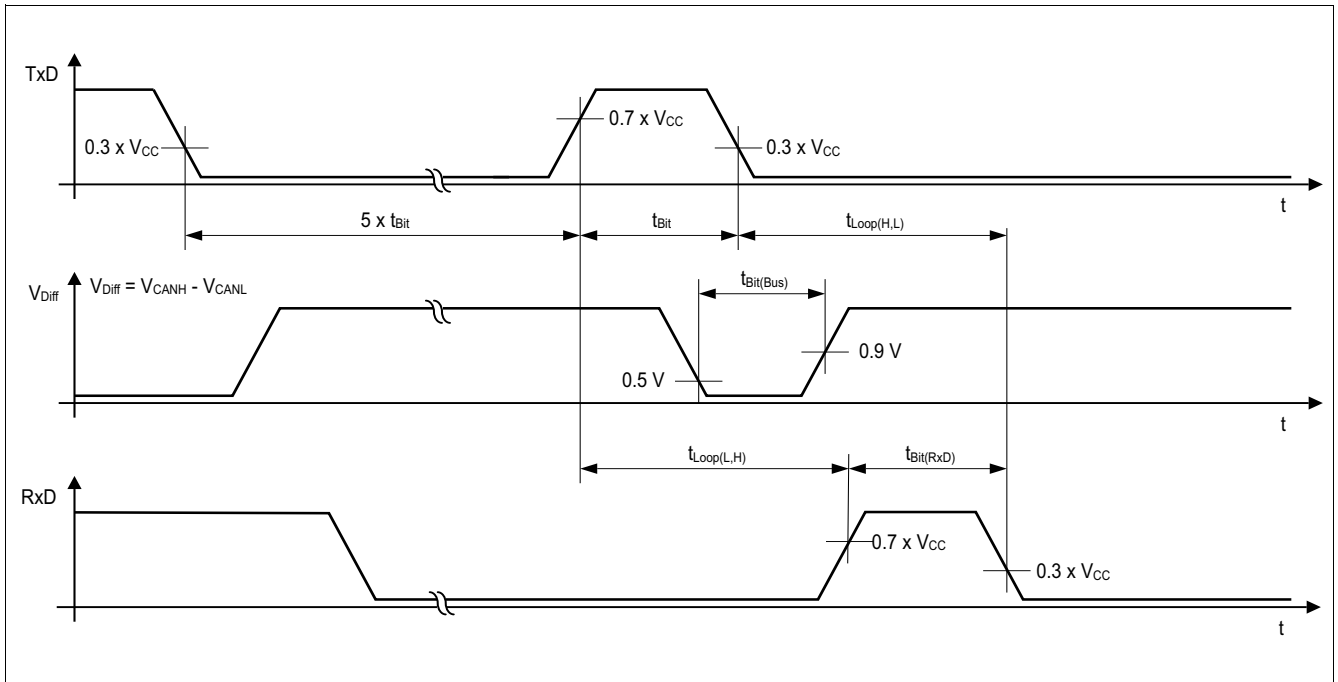


Figure 11 “Recessive” bit width - five “dominant” bits followed by one “recessive” bit

8 Application Information

8.1 ESD Robustness according to IEC61000-4-2

Test for ESD robustness according to IEC61000-4-2 "Gun test" (150 pF, 330 Ω) have been performed. The results and test conditions are available in a separate test report.

Table 7 ESD robustness according to IEC61000-4-2

Performed Test	Result	Unit	Remarks
Electrostatic discharge voltage at pin CANH and CANL versus GND	≥ +8	kV	¹⁾ Positive pulse
Electrostatic discharge voltage at pin CANH and CANL versus GND	≤ -8	kV	¹⁾ Negative pulse

1) ESD susceptibility "ESD GUN" according to GIFT / ICT paper: "EMC Evaluation of CAN Transceivers, version 03/02/IEC TS62228", section 4.3. (DIN EN61000-4-2)

Tested by external test facility (IBEE Zwickau, EMC test report no. TBD).