



Chipsmall Limited consists of a professional team with an average of over 10 year of expertise in the distribution of electronic components. Based in Hongkong, we have already established firm and mutual-benefit business relationships with customers from,Europe,America and south Asia,supplying obsolete and hard-to-find components to meet their specific needs.

With the principle of “Quality Parts,Customers Priority,Honest Operation,and Considerate Service”,our business mainly focus on the distribution of electronic components. Line cards we deal with include Microchip,ALPS,ROHM,Xilinx,Pulse,ON,Everlight and Freescale. Main products comprise IC,Modules,Potentiometer,IC Socket,Relay,Connector.Our parts cover such applications as commercial,industrial, and automotives areas.

We are looking forward to setting up business relationship with you and hope to provide you with the best service and solution. Let us make a better world for our industry!



Contact us

Tel: +86-755-8981 8866 Fax: +86-755-8427 6832

Email & Skype: info@chipsmall.com Web: www.chipsmall.com

Address: A1208, Overseas Decoration Building, #122 Zhenhua RD., Futian, Shenzhen, China



TLE8250X

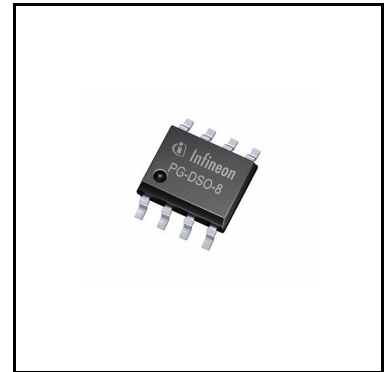
High Speed CAN Transceiver



1 Overview

Features

- Compliant to ISO11898-2: 2003
- Wide common mode range for electromagnetic immunity (EMI)
- Very low electromagnetic emission (EME)
- Excellent ESD robustness
- Guaranteed and improved loop delay symmetry to support CAN FD data frames up to 2 MBit/s for Japanese OEMs
- V_{IO} input for voltage adaption to the microcontroller supply
- Extended supply range on V_{CC} and V_{IO} supply
- CAN short circuit proof to ground, battery and V_{CC}
- TxD time-out function
- Low CAN bus leakage current in power-down state
- Overtemperature protection
- Protected against automotive transients
- Receive-only mode
- Green Product (RoHS compliant)
- AEC Qualified
- Certified according to latest VeLIO (Vehicle LAN Interoperability & Optimization) test requirements for the Japanese market



Applications

- Engine Control Unit (ECUs)
- Transmission Control Units (TCUs)
- Chassis Control Modules
- Electric Power Steering

Description

The TLE8250XSJ is a transceiver designed for HS CAN networks in automotive and industrial applications. As an interface between the physical bus layer and the CAN protocol controller, the TLE8250XSJ drives the signals to the bus and protects the microcontroller against interferences generated within the network. Based on the high symmetry of the CANH and CANL signals, the TLE8250XSJ provides a very low level of electromagnetic emission (EME) within a wide frequency range. The TLE8250XSJ fulfills or exceeds the requirements of the ISO11898-2.

Overview

The TLE8250XSJ provides a digital supply input V_{IO} and a receive-only mode. It is designed to fulfill the enhanced physical layer requirements for CAN FD and supports data rates up to 2 MBit/s.

On the basis of a very low leakage current on the HS CAN bus interface the TLE8250XSJ provides an excellent passive behavior in power-down state. These and other features make the TLE8250XSJ exceptionally suitable for mixed supply HS CAN networks.

Based on the Infineon Smart Power Technology SPT, the TLE8250XSJ provides excellent ESD immunity together with a very high electromagnetic immunity (EMI). The TLE8250XSJ and the Infineon SPT technology are AEC qualified and tailored to withstand the harsh conditions of the automotive environment.

Two different operating modes, additional fail-safe features like a TxD time-out and the optimized output slew rates on the CANH and CANL signals, make the TLE8250XSJ the ideal choice for large HS CAN networks with high data transmission rates.

Type	Package	Marking
TLE8250XSJ	PG-DSO-8	8250X

Table of Contents

1	Overview	1
	Table of Contents	3
2	Block Diagram	4
3	Pin Configuration	5
3.1	Pin Assignment	5
3.2	Pin Definitions	5
4	Functional Description	6
4.1	High Speed CAN Physical Layer	6
4.2	Modes of Operation	8
4.2.1	Normal-operating Mode	8
4.2.2	Receive-only Mode	8
4.3	Power-up and Undervoltage Condition	9
4.3.1	Power-down State	10
4.3.2	Forced Power-save Mode	10
4.3.3	Power-up	10
4.3.4	Undervoltage on the Digital Supply V_{IO}	11
4.3.5	Undervoltage on the Transmitter Supply V_{CC}	12
4.3.6	Voltage Adaption to the Microcontroller Supply	12
5	Fail Safe Functions	13
5.1	Short Circuit Protection	13
5.2	Unconnected Logic Pins	13
5.3	TxD Time-out Function	13
5.4	Overtemperature Protection	14
5.5	Delay Time for Mode Change	14
6	General Product Characteristics	15
6.1	Absolute Maximum Ratings	15
6.2	Functional Range	16
6.3	Thermal Resistance	16
7	Electrical Characteristics	17
7.1	Functional Device Characteristics	17
7.2	Diagrams	22
8	Application Information	24
8.1	ESD Robustness according to IEC61000-4-2	24
8.2	Application Example	25
8.3	Examples for Mode Changes	26
8.3.1	Mode Change while the TxD Signal is “low”	27
8.3.2	Mode Change while the Bus Signal is dominant	28
8.4	Further Application Information	28
9	Package Outline	29
10	Revision History	30

Block Diagram

2 Block Diagram

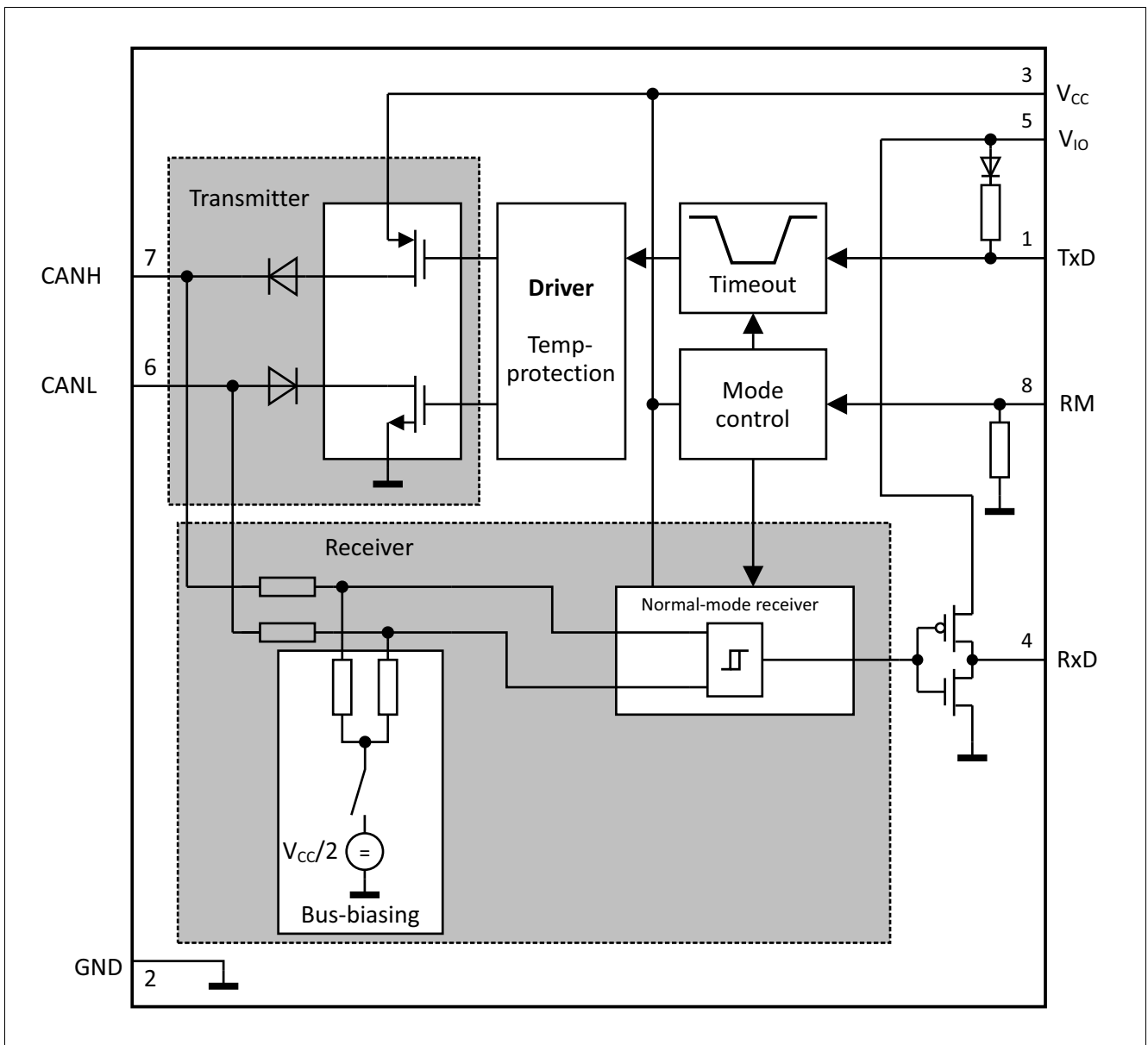


Figure 1 Functional block diagram

3 Pin Configuration

3.1 Pin Assignment

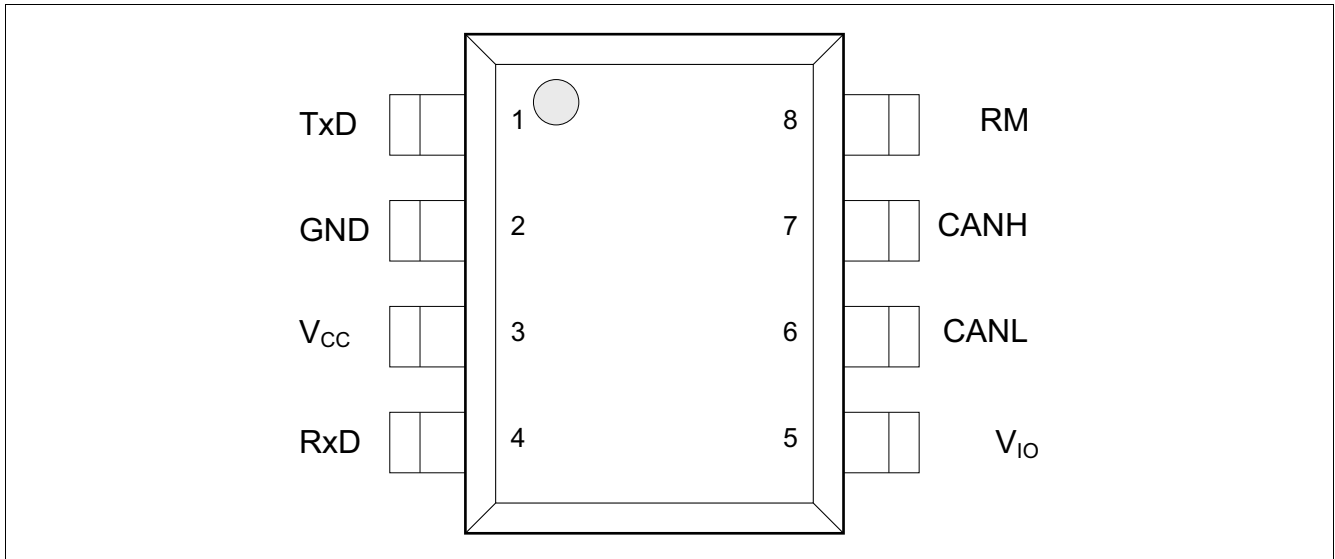


Figure 2 Pin configuration

3.2 Pin Definitions

Table 1 Pin definitions and functions

Pin No.	Symbol	Function
1	TxD	Transmit Data Input; internal pull-up to V_{IO} , “low” for dominant state.
2	GND	Ground
3	V_{CC}	Transmitter Supply Voltage; 100 nF decoupling capacitor to GND required.
4	RxD	Receive Data Output; “low” in dominant state.
5	V_{IO}	Digital Supply Voltage; supply voltage input to adapt the logical input and output voltage levels of the transceiver to the microcontroller supply, 100 nF decoupling capacitor to GND required.
6	CANL	CAN Bus Low Level I/O; “low” in dominant state.
7	CANH	CAN Bus High Level I/O; “high” in dominant state.
8	RM	Receive-only Mode Input; internal pull-down to GND, “low” for normal-operating mode.

Functional Description

4 Functional Description

HS CAN is a serial bus system that connects microcontrollers, sensors and actuators for real-time control applications. The use of the Controller Area Network (abbreviated CAN) within road vehicles is described by the international standard ISO 11898. According to the 7-layer OSI reference model the physical layer of a HS CAN bus system specifies the data transmission from one CAN node to all other available CAN nodes within the network. The physical layer specification of a CAN bus system includes all electrical and mechanical specifications of a CAN network. The CAN transceiver is part of the physical layer specification. Several different physical layer standards of CAN networks have been developed in recent years. The TLE8250XSJ is a High Speed CAN transceiver without a wake-up function and defined by the international standard ISO 11898-2.

4.1 High Speed CAN Physical Layer

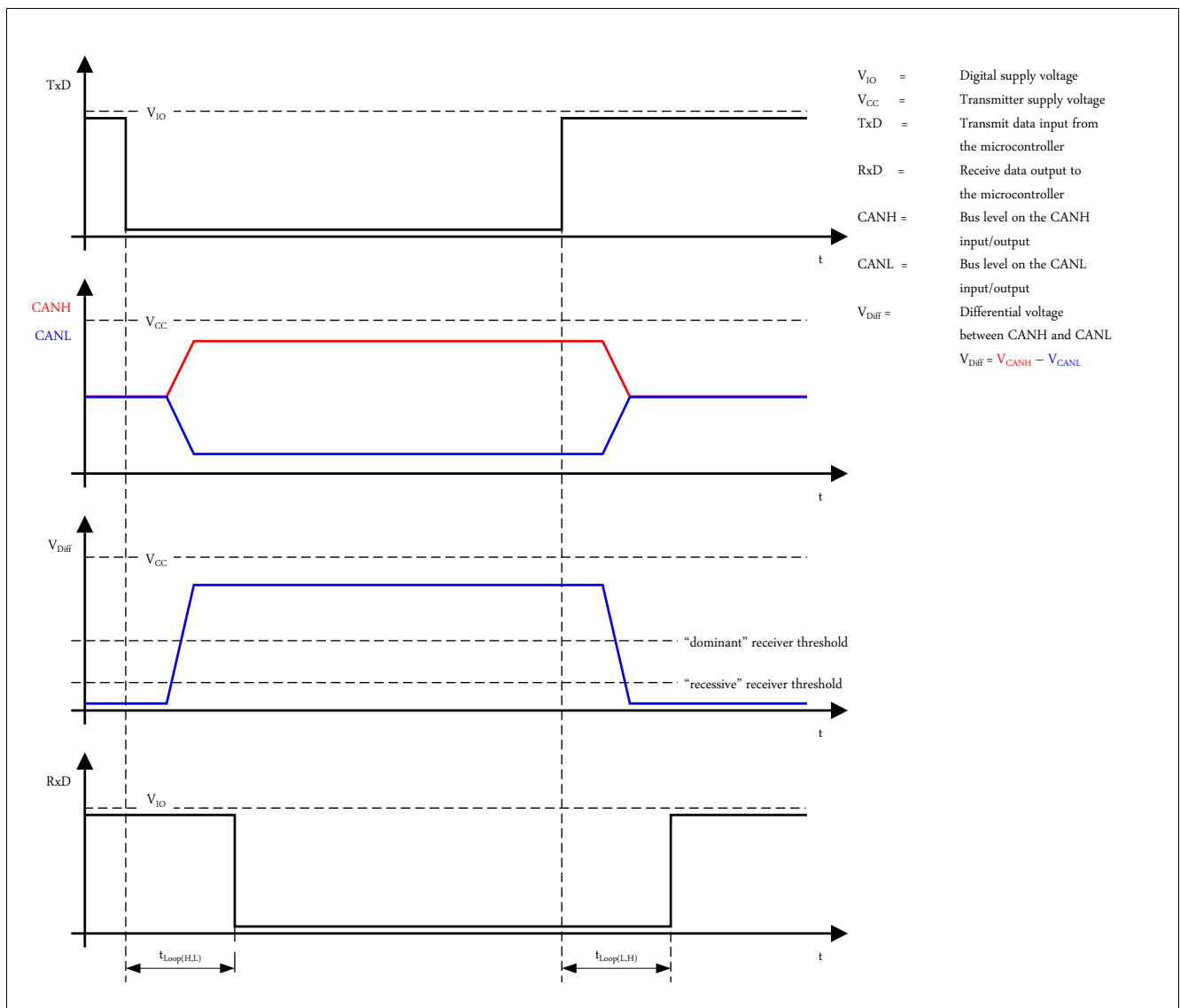


Figure 3 High speed CAN bus signals and logic signals

Functional Description

The TLE8250XSJ is a High-Speed CAN transceiver, operating as an interface between the CAN controller and the physical bus medium. A HS CAN network is a two wire, differential network which allows data transmission rates for CAN FD frames up to 2 MBit/s. Characteristic for HS CAN networks are the two signal states on the HS CAN bus: dominant and recessive (see [Figure 3](#)).

V_{CC} , V_{IO} and GND are the supply pins for the TLE8250XSJ. The pins CANH and CANL are the interface to the HS CAN bus and operate in both directions, as an input and as an output. RxD and TxD pins are the interface to the CAN controller, the TxD pin is an input pin and the RxD pin is an output pin. The RM pin is the input pin for the mode selection (see [Figure 4](#)).

By setting the TxD input pin to logical “low” the transmitter of the TLE8250XSJ drives a dominant signal to the CANH and CANL pins. Setting TxD input to logical “high” turns off the transmitter and the output voltage on CANH and CANL discharges towards the recessive level. The recessive output voltage is provided by the bus biasing (see [Figure 1](#)). The output of the transmitter is considered to be dominant, when the voltage difference between CANH and CANL is at least higher than 1.5 V ($V_{Diff} = V_{CANH} - V_{CANL}$).

Parallel to the transmitter the normal-mode receiver monitors the signal on the CANH and CANL pins and indicates it on the RxD output pin. A dominant signal on the CANH and CANL pins sets the RxD output pin to logical “low”, vice versa a recessive signal sets the RxD output to logical “high”. The normal-mode receiver considers a voltage difference (V_{Diff}) between CANH and CANL above 0.9 V as dominant and below 0.5 V as recessive.

To be conform with HS CAN features, like the bit to bit arbitration, the signal on the RxD output has to follow the signal on the TxD input within a defined loop delay $t_{Loop} \leq 255$ ns.

The thresholds of the digital inputs (TxD and RM) and also the RxD output voltage are adapted to the digital power supply V_{IO} .

Functional Description

4.2 Modes of Operation

The TLE8250XSJ supports two different modes of operation, receive-only mode and normal-operating mode while the transceiver is supplied according to the specified functional range. The mode of operation is selected by the RM input pin (see [Figure 4](#)).

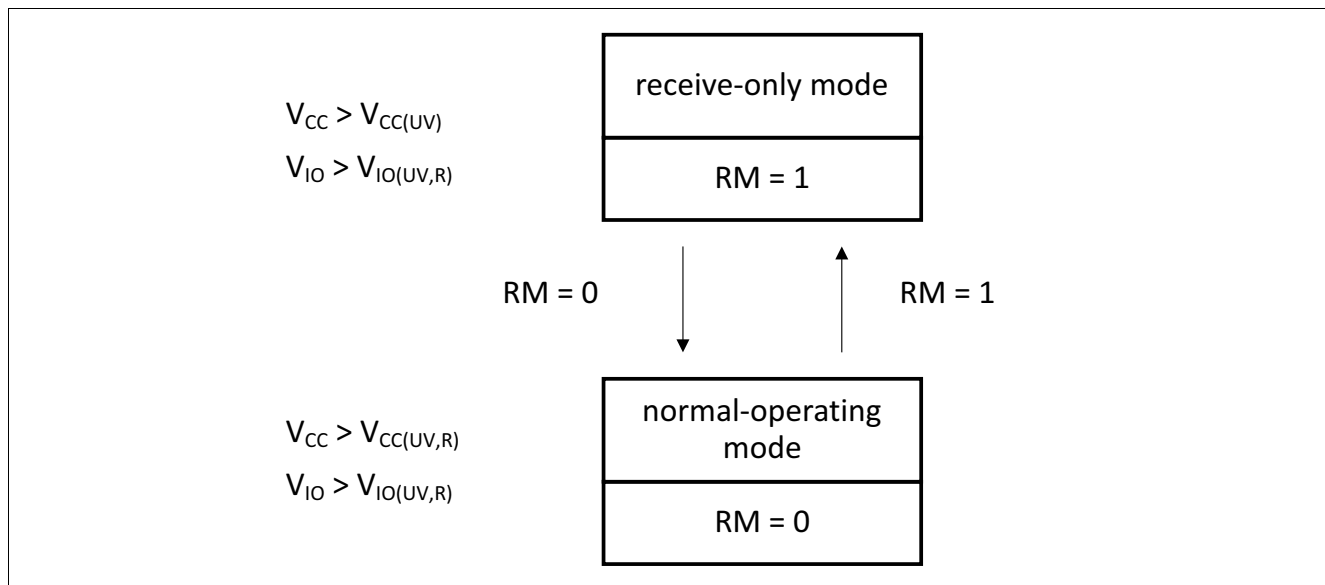


Figure 4 Mode state diagram

4.2.1 Normal-operating Mode

In normal-operating mode the transmitter and the receiver of the HS CAN transceiver TLE8250XSJ are active (see [Figure 1](#)). The HS CAN transceiver sends the serial data stream on the TxD input pin to the CAN bus. The data on the CAN bus is displayed at the RxD pin simultaneously. A logical “low” signal on the RM pin selects the normal-operating mode, while the transceiver is supplied by V_{CC} and V_{IO} (see [Table 2](#) for details).

4.2.2 Receive-only Mode

In receive-only mode the normal-mode receiver is active and the transmitter is turned off. The TLE8250XSJ can receive data from the HS CAN bus, but cannot send any data to the HS CAN bus.

A logical “high” signal on the RM pin selects the receive-only mode, while the transceiver is supplied by V_{CC} and V_{IO} (see [Table 2](#) for details).

Functional Description

4.3 Power-up and Undervoltage Condition

By detecting an undervoltage event, either on the transmitter supply V_{CC} or the digital supply V_{IO} , the transceiver TLE8250XSJ changes the mode of operation. Turning off the digital power supply V_{IO} , the transceiver powers down and remains in the power-down state. While switching off the transmitter supply V_{CC} , the transceiver changes to the forced power-save mode, (details see [Figure 5](#)).

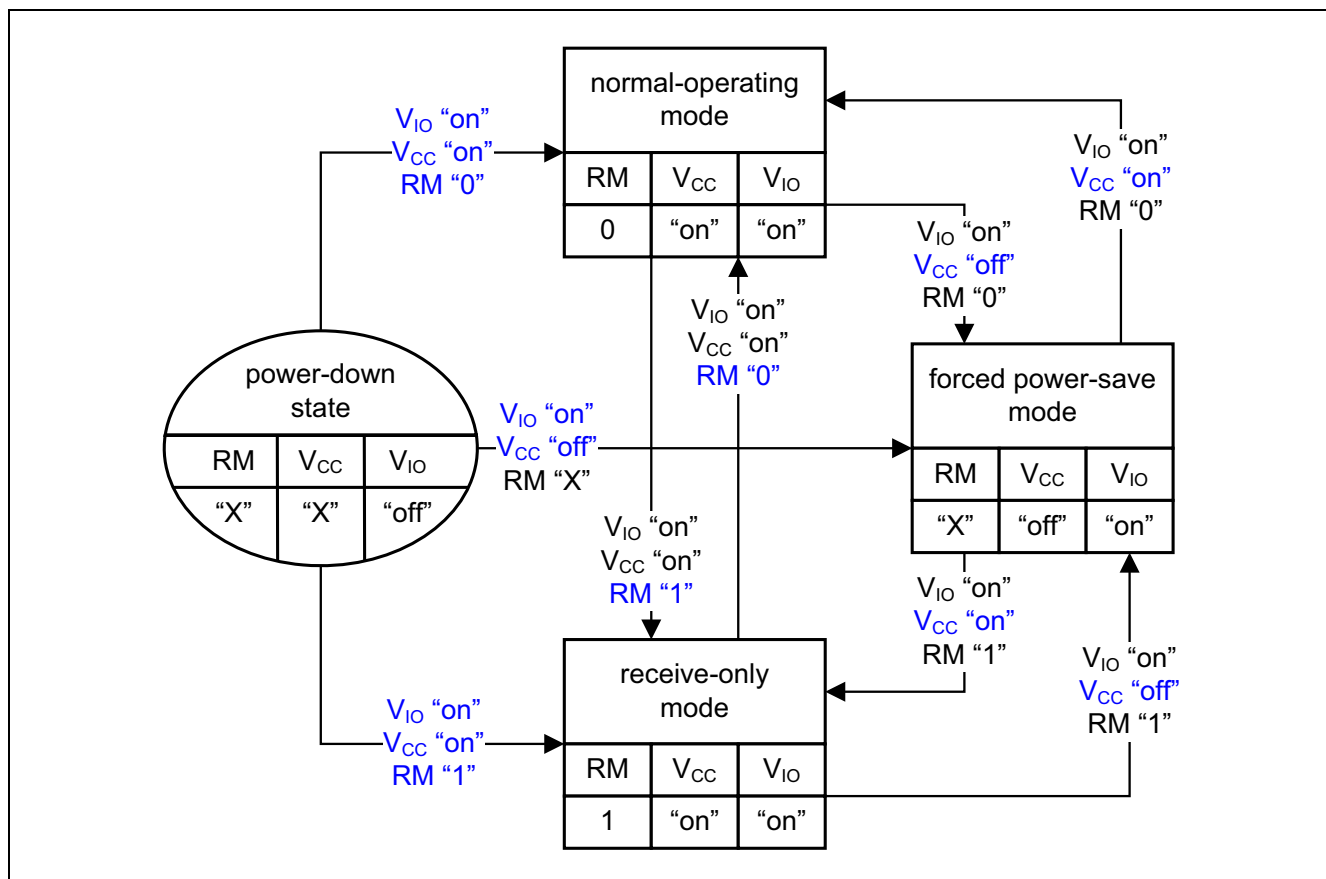


Figure 5 Power-up and undervoltage

Table 2 Modes of operation

Mode	RM	V_{IO}	V_{CC}	Bus Bias	Transmitter	Normal-mode Receiver	Low-power Receiver
Normal-operating	"low"	"on"	"on"	$V_{CC}/2$	"on"	"on"	not available
Receive-only	"high"	"on"	"on"	$V_{CC}/2$	"off"	"on"	not available
Forced power-save	"X ¹⁾ "	"on"	"off"	floating	"off"	"off"	not available
Power-down state	"X"	"off"	"X"	floating	"off"	"off"	not available

1) "X": Don't care

Functional Description

4.3.1 Power-down State

Independent of the transmitter supply V_{CC} and of the RM input pin, the TLE8250XSJ is in power-down state when the digital supply voltage V_{IO} is turned off (see [Figure 5](#)).

In the power-down state the input resistors of the receiver are disconnected from the bus biasing $V_{CC}/2$. The CANH and CANL bus interface of the TLE8250XSJ is floating and acts as a high-impedance input with a very small leakage current. The high-ohmic input does not influence the recessive level of the CAN network and allows an optimized EME performance of the entire HS CAN network (see also [Table 2](#)).

4.3.2 Forced Power-save Mode

The forced power-save mode is a fail-safe mode to avoid any disturbance on the HS CAN bus, while the TLE8250XSJ faces a loss of the transmitter supply V_{CC} .

In forced power-save mode, the transmitter and the normal-mode receiver are turned off and therefore the transceiver TLE8250XSJ can not disturb the bus media.

The RxD output pin is permanently set to logical “high”. The bus biasing is floating (details see [Table 2](#)).

The forced power-save mode can only be entered when the transmitter supply V_{CC} is not available, either by powering up the digital supply V_{IO} only or by turning off the transmitter supply in normal-operating mode or in receive-only mode (see [Figure 5](#)). While the transceiver TLE8250XSJ is in forced power-save mode the RM pin is disabled.

4.3.3 Power-up

The HS CAN transceiver TLE8250XSJ powers up if at least the digital supply V_{IO} is connected to the device. By default the device powers up in normal-operating mode, due to the internal pull-down resistor on the RM pin to GND.

In case the device needs to power-up in receive-only mode, the RM pin needs to be pulled active to logical “high” and the supplies V_{IO} and V_{CC} have to be connected.

By supplying only the digital power supply V_{IO} the TLE8250XSJ powers up in forced power-save mode (see [Figure 5](#)).

Functional Description

4.3.4 Undervoltage on the Digital Supply V_{IO}

If the voltage on V_{IO} supply input falls below the threshold $V_{IO} < V_{IO(U,F)}$, the transceiver TLE8250XSJ powers down and changes to the power-down state.

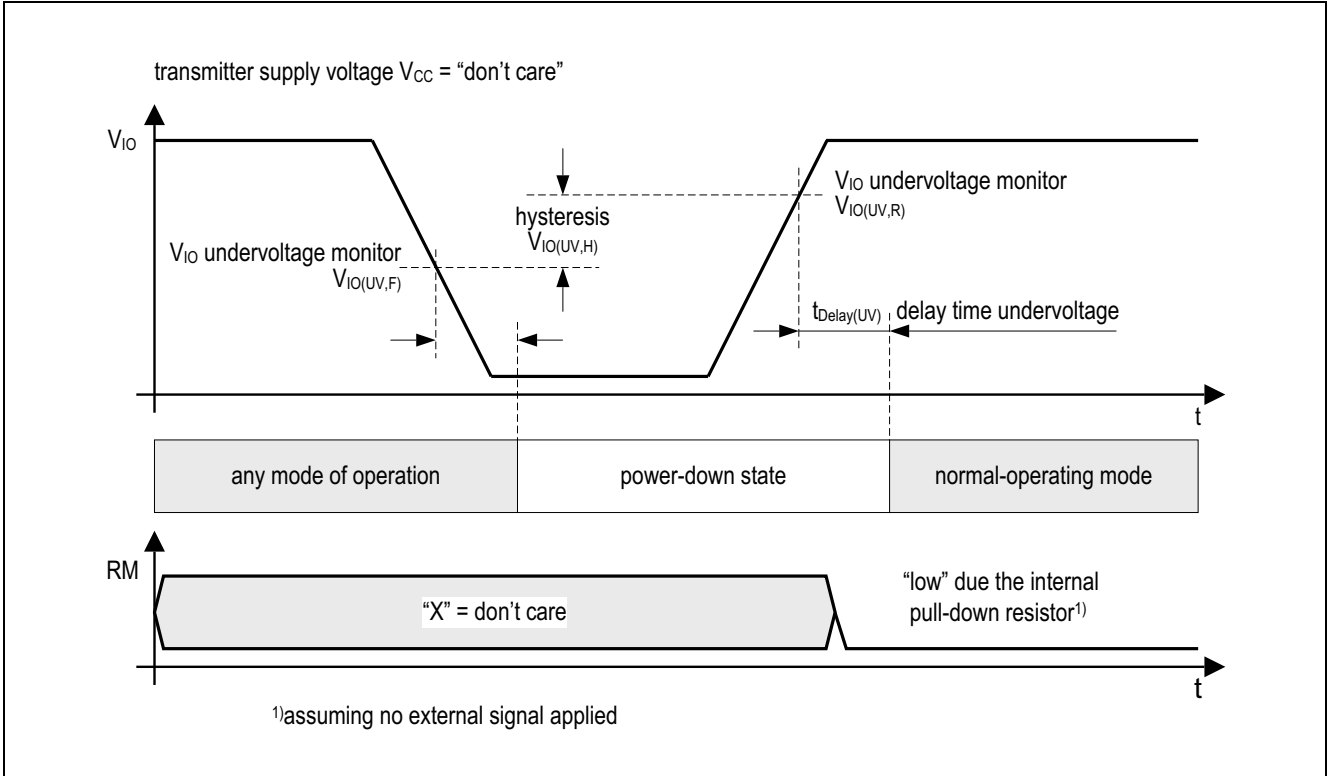


Figure 6 Undervoltage on the digital supply V_{IO}

Functional Description

4.3.5 Undervoltage on the Transmitter Supply V_{CC}

In case the transmitter supply V_{CC} falls below the threshold $V_{CC} < V_{CC(UV,F)}$, the transceiver TLE8250XSJ changes the mode of operation to forced power-save mode. The transmitter and also the normal-mode receiver of the TLE8250XSJ are powered by the V_{CC} supply. In case of an insufficient V_{CC} supply, the TLE8250XSJ can neither transmit the CANH and CANL signals correctly to the bus, nor can it receive them properly. Therefore the TLE8250XSJ blocks the transmitter and the receiver in forced power-save mode (see Figure 7).

The undervoltage detection on the transmitter supply V_{CC} is active in normal-operating mode and in receive-only mode (see Figure 5).

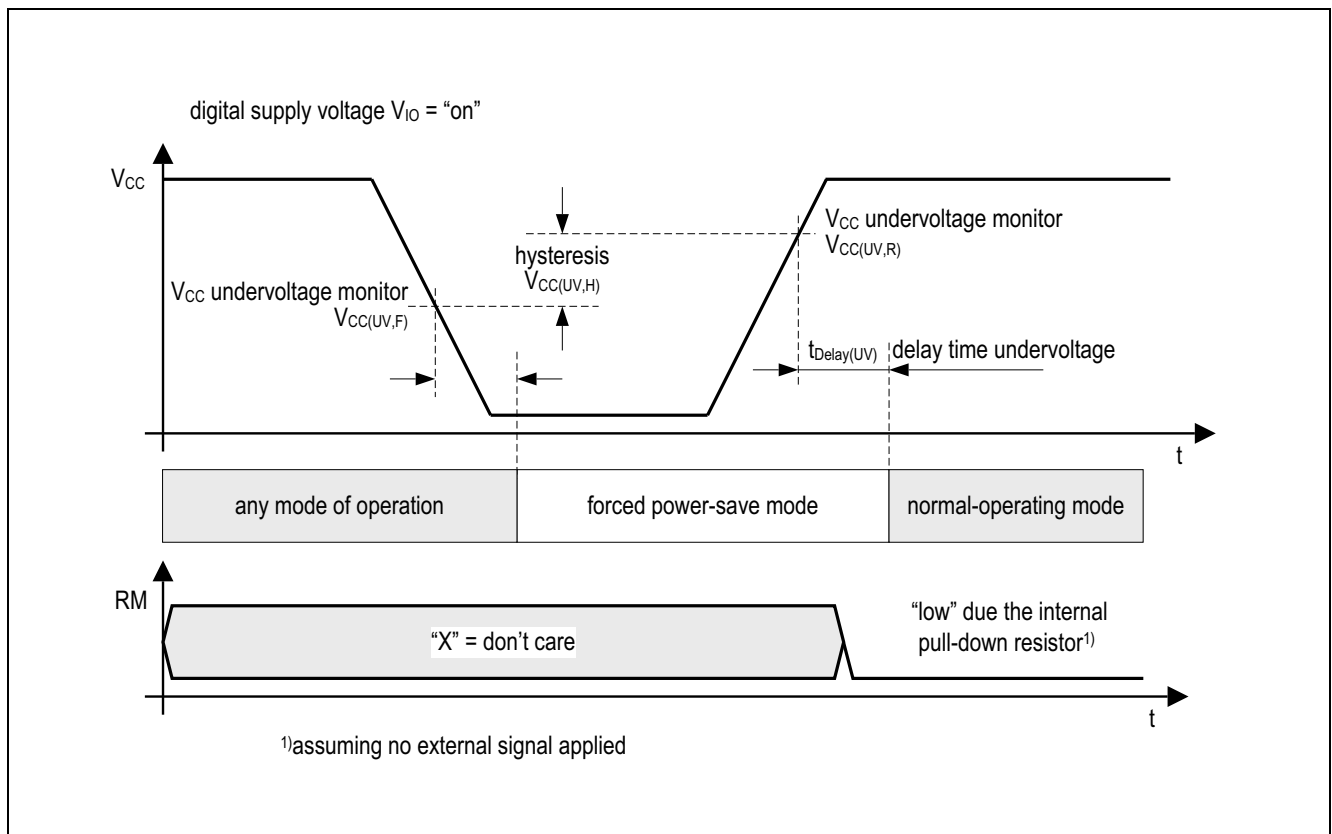


Figure 7 Undervoltage on the transmitter supply V_{CC}

4.3.6 Voltage Adaption to the Microcontroller Supply

The HS CAN transceiver TLE8250XSJ has two different power supplies, V_{CC} and V_{IO} . The power supply V_{CC} supplies the transmitter and the normal-mode receiver. The power supply V_{IO} supplies the digital input and output buffers and it is also the main power domain for the internal logic.

To adjust the digital input and output levels of the TLE8250XSJ to the I/O levels of the external microcontroller, connect the power supply V_{IO} to the microcontroller I/O supply voltage (see Figure 13).

Note: In case the digital supply voltage V_{IO} is not required in the application, connect the digital supply voltage V_{IO} to the transmitter supply V_{CC} .

5 Fail Safe Functions

5.1 Short Circuit Protection

The CANH and CANL bus outputs are short circuit proof, either against GND or a positive supply voltage. A current limiting circuit protects the transceiver against damages. If the device is heating up due to a continuous short on the CANH or CANL, the internal overtemperature protection switches off the bus transmitter.

5.2 Unconnected Logic Pins

All logic input pins have an internal pull-up resistor to V_{IO} or a pull-down resistor to GND. In case the V_{IO} supply is activated and the logical pins are open, the TLE8250XSJ enters into the normal-operating mode by default. The TxD input is pulled to logical “high” due to the internal pull-up resistor to V_{IO} . The HS CAN transceiver TLE8250XSJ will not influence the data on the CAN bus as long the TxD input pin remains logical “high”.

5.3 TxD Time-out Function

The TxD time-out feature protects the CAN bus against permanent blocking in case the logical signal on the TxD pin is continuously “low”. A continuous “low” signal on the TxD pin might have its root cause in a locked-up microcontroller or in a short circuit on the printed circuit board, for example. In normal-operating mode, a logical “low” signal on the TxD pin for the time $t > t_{TxD}$ enables the TxD time-out feature and the TLE8250XSJ disables the transmitter (see [Figure 8](#)). The receiver is still active and the data on the bus continues to be monitored by the RxD output pin.

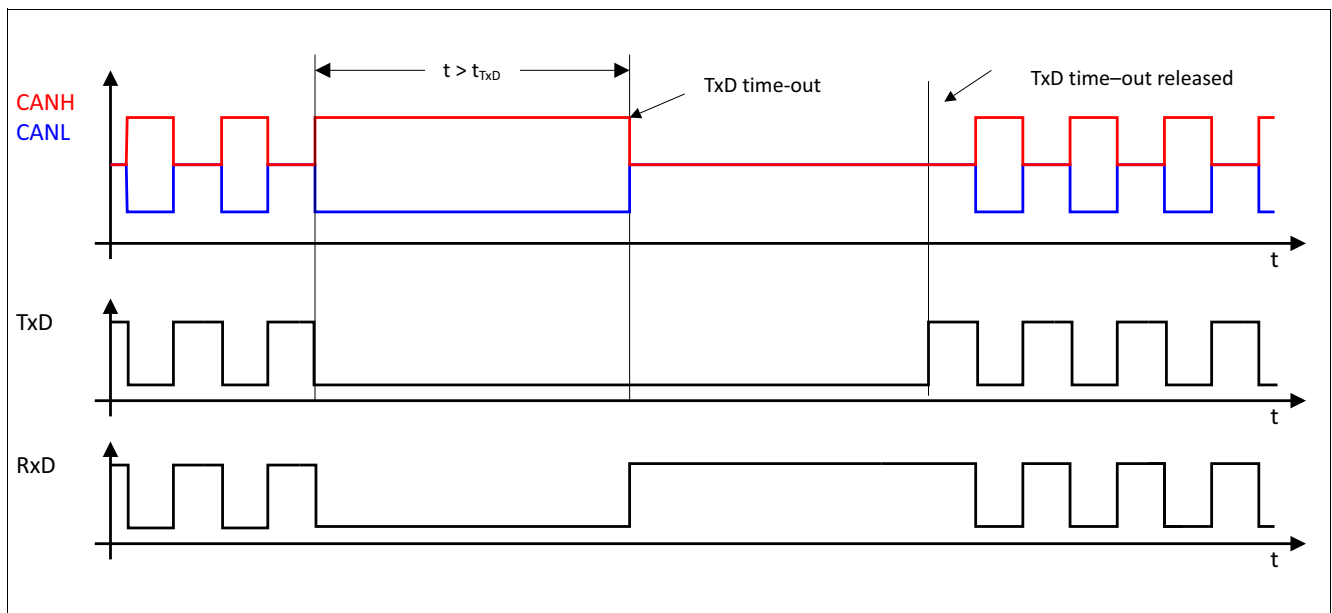


Figure 8 TxD time-out function

Figure 8 illustrates how the transmitter is deactivated and activated again. A permanent “low” signal on the TxD input pin activates the TxD time-out function and deactivates the transmitter. To release the transmitter after a TxD time-out event the TLE8250XSJ requires a signal change on the TxD input pin from logical “low” to logical “high”.

5.4 Overtemperature Protection

The TLE8250XSJ has an integrated overtemperature detection to protect the TLE8250XSJ against thermal overstress of the transmitter. The overtemperature protection is active in normal-operating mode and disabled in receive-only mode. In case of an overtemperature condition, the temperature sensor will disable the transmitter (see [Figure 1](#)) while the transceiver remains in normal-operating mode.

After the device has cooled down the transmitter is activated again (see [Figure 9](#)). A hysteresis is implemented within the temperature sensor.

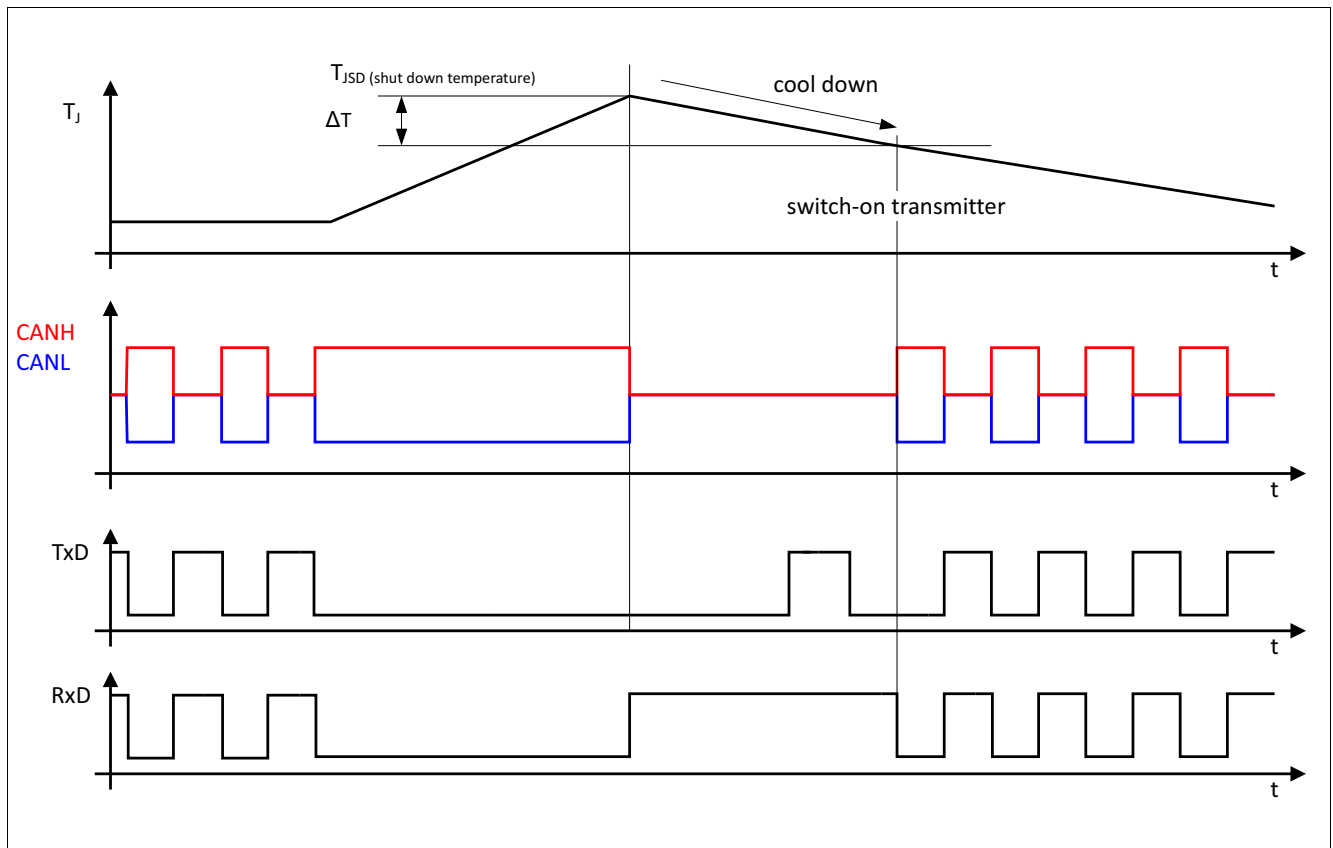


Figure 9 Overtemperature protection

5.5 Delay Time for Mode Change

The HS CAN transceiver TLE8250XSJ changes the mode of operation within the time window t_{Mode} . During the mode change the normal-mode receiver and the RxD output are active and reflect the on the HS CAN input pins (see as an example [Figure 14](#) and [Figure 15](#)).

6 General Product Characteristics

6.1 Absolute Maximum Ratings

Table 3 Absolute maximum ratings voltages, currents and temperatures¹⁾

All voltages with respect to ground; positive current flowing into pin;
(unless otherwise specified)

Parameter	Symbol	Values			Unit	Note or Test Condition	Number
		Min.	Typ.	Max.			
Voltages							
Transmitter supply voltage	V_{CC}	-0.3	-	6.0	V	-	P_6.1.1
Digital supply voltage	V_{IO}	-0.3	-	6.0	V	-	P_6.1.2
CANH DC voltage versus GND	V_{CANH}	-40	-	40	V	-	P_6.1.3
CANL DC voltage versus GND	V_{CANL}	-40	-	40	V	-	P_6.1.4
Differential voltage between CANH and CANL	V_{CAN_Diff}	-40	-	40	V	-	P_6.1.5
Voltages at the input pins: RM, TxD	V_{MAX_IN}	-0.3	-	6.0	V	-	P_6.1.6
Voltages at the output pin: RxD	V_{MAX_OUT}	-0.3	-	V_{IO}	V	-	P_6.1.7
Currents							
RxD output current	I_{RxD}	-20	-	20	mA	-	P_6.1.8
Temperatures							
Junction temperature	T_j	-40	-	150	°C	-	P_6.1.9
Storage temperature	T_S	-55	-	150	°C	-	P_6.1.10
ESD Resistivity							
ESD immunity at CANH, CANL versus GND	$V_{ESD_HBM_CAN}$	-10	-	10	kV	HBM (100 pF via 1.5 kΩ) ²⁾	P_6.1.11
ESD immunity at all other pins	$V_{ESD_HBM_ALL}$	-2	-	2	kV	HBM (100 pF via 1.5 kΩ) ²⁾	P_6.1.12
ESD immunity to GND	V_{ESD_CDM}	-750	-	750	V	CDM ³⁾	P_6.1.13

1) Not subject to production test, specified by design

2) ESD susceptibility, Human Body Model "HBM" according to ANSI/ESDA/JEDEC JS-001

3) ESD susceptibility, Charge Device Model "CDM" according to EIA/JESD22-C101 or ESDA STM5.3.1

Note: Stresses above the ones listed here may cause permanent damage to the device. Exposure to absolute maximum rating conditions for extended periods may affect device reliability. Integrated protection functions are designed to prevent IC destruction under fault conditions described in the data sheet. Fault conditions are considered as "outside" normal-operating range. Protection functions are not designed for continuous repetitive operation.

General Product Characteristics

6.2 Functional Range

Table 4 Functional range

Parameter	Symbol	Values			Unit	Note or Test Condition	Number
		Min.	Typ.	Max.			
Supply Voltages							
Transmitter supply voltage	V_{CC}	4.5	-	5.5	V	-	P_6.2.1
Digital supply voltage	V_{IO}	3.0	-	5.5	V	-	P_6.2.2
Thermal Parameters							
Junction temperature	T_j	-40	-	150	°C	¹⁾	P_6.2.3

1) Not subject to production test, specified by design.

Note: Within the functional range the IC operates as described in the circuit description. The electrical characteristics are specified within the conditions given in the related electrical characteristics table.

6.3 Thermal Resistance

Note: This thermal data was generated in accordance with JEDEC JESD51 standards. For more information, please visit www.jedec.org.

Table 5 Thermal resistance¹⁾

Parameter	Symbol	Values			Unit	Note or Test Condition	Number
		Min.	Typ.	Max.			
Thermal Resistances							
Junction to Ambient PG-DSO-8	R_{thJA}	-	130	-	K/W	²⁾ TLE8250XSJ	P_6.3.2
Thermal Shutdown (junction temperature)							
Thermal shutdown temperature	T_{JSD}	150	175	200	°C	-	P_6.3.3
Thermal shutdown hysteresis	ΔT	-	10	-	K	-	P_6.3.4

1) Not subject to production test, specified by design

2) Specified R_{thJA} value is according to Jedec JESD51-2,-7 at natural convection on FR4 2s2p board. The product (TLE8250XSJ) was simulated on a 76.2 x 114.3 x 1.5 mm board with 2 inner copper layers (2 x 70µm Cu, 2 x 35µm Cu).

Electrical Characteristics

7 Electrical Characteristics

7.1 Functional Device Characteristics

Table 6 Electrical characteristics

4.5 V < V_{CC} < 5.5 V; 3.0 V < V_{IO} < 5.5 V; $R_L = 60 \Omega$; $-40^\circ\text{C} < T_j < 150^\circ\text{C}$; all voltages with respect to ground; positive current flowing into pin; unless otherwise specified.

Parameter	Symbol	Values			Unit	Note or Test Condition	Number
		Min.	Typ.	Max.			
Current Consumption							
Current consumption at V_{CC} normal-operating mode	I_{CC}	–	2.6	4	mA	recessive state, $V_{TxD} = V_{IO}$, $V_{RM} = 0\text{ V}$;	P_7.1.1
Current consumption at V_{CC} normal-operating mode	I_{CC}	–	38	60	mA	dominant state, $V_{TxD} = V_{RM} = 0\text{ V}$;	P_7.1.2
Current consumption at V_{IO} normal-operating mode	I_{IO}	–	–	1	mA	$V_{RM} = 0\text{ V}$;	P_7.1.3
Current consumption at V_{CC} receive-only mode	$I_{CC(ROM)}$	–	–	2	mA	$V_{RM} = V_{TxD} = V_{IO}$;	P_7.1.4
Current consumption at V_{IO} receive-only mode	$I_{IO(ROM)}$	–	–	1	mA	$V_{RM} = V_{IO}$;	P_7.1.5
Supply Resets							
V_{CC} undervoltage monitor rising edge	$V_{CC(UV,R)}$	3.8	4.0	4.3	V	–	P_7.1.6
V_{CC} undervoltage monitor falling edge	$V_{CC(UV,F)}$	3.65	3.85	4.3	V	–	P_7.1.7
V_{CC} undervoltage monitor hysteresis	$V_{CC(UV,H)}$	–	150	–	mV	¹⁾	P_7.1.8
V_{IO} undervoltage monitor rising edge	$V_{IO(UV,R)}$	2.0	2.5	3.0	V	–	P_7.1.9
V_{IO} undervoltage monitor falling edge	$V_{IO(UV,F)}$	1.8	2.3	3.0	V	–	P_7.1.10
V_{IO} undervoltage monitor hysteresis	$V_{IO(UV,H)}$	–	200	–	mV	¹⁾	P_7.1.11
V_{CC} and V_{IO} undervoltage delay time	$t_{\text{Delay(UV)}}$	–	–	100	μs	¹⁾ (see Figure 6 and Figure 7);	P_7.1.12
Receiver Output RxD							
“High” level output current	$I_{RD,H}$	–	-4	-2	mA	$V_{\text{RxD}} = V_{IO} - 0.4\text{ V}$, $V_{\text{Diff}} < 0.5\text{ V}$;	P_7.1.13
“Low” level output current	$I_{RD,L}$	2	4	–	mA	$V_{\text{RxD}} = 0.4\text{ V}$, $V_{\text{Diff}} > 0.9\text{ V}$;	P_7.1.14

Electrical Characteristics

Table 6 Electrical characteristics (cont'd)

4.5 V < V_{CC} < 5.5 V; 3.0 V < V_{IO} < 5.5 V; $R_L = 60 \Omega$; $-40 \text{ }^\circ\text{C} < T_j < 150 \text{ }^\circ\text{C}$; all voltages with respect to ground; positive current flowing into pin; unless otherwise specified.

Parameter	Symbol	Values			Unit	Note or Test Condition	Number
		Min.	Typ.	Max.			
Transmission Input TxD							
“High” level input voltage threshold	$V_{\text{TxD,H}}$	–	0.5 $\times V_{\text{IO}}$	0.7 $\times V_{\text{IO}}$	V	recessive state;	P_7.1.15
“Low” level input voltage threshold	$V_{\text{TxD,L}}$	0.3 $\times V_{\text{IO}}$	0.4 $\times V_{\text{IO}}$	–	V	dominant state;	P_7.1.16
Pull-up resistance	R_{TxD}	10	25	50	k Ω	–	P_7.1.17
Input hysteresis	$V_{\text{HYS(TxD)}}$	–	450	–	mV	¹⁾	P_7.1.18
Input capacitance	C_{TxD}	–	–	10	pF	¹⁾	P_7.1.19
TxD permanent dominant timeout	t_{TxD}	4.5	–	16	ms	normal-operating mode;	P_7.1.20
Receive-only Input RM							
“High” level input voltage threshold	$V_{\text{RM,H}}$	–	0.5 $\times V_{\text{IO}}$	0.7 $\times V_{\text{IO}}$	V	receive-only mode;	P_7.1.21
“Low” level input voltage threshold	$V_{\text{RM,L}}$	0.3 $\times V_{\text{IO}}$	0.4 $\times V_{\text{IO}}$	–	V	normal-operating mode;	P_7.1.22
Pull-down resistance	R_{RM}	10	25	50	k Ω	–	P_7.1.23
Input capacitance	C_{RM}	–	–	10	pF	¹⁾	P_7.1.24
Input hysteresis	$V_{\text{HYS(RM)}}$	–	200	–	mV	¹⁾	P_7.1.25
Bus Receiver							
Differential receiver threshold dominant normal-operating mode and receive-only mode	$V_{\text{Diff_D}}$	–	0.75	0.9	V	²⁾	P_7.1.26
Differential receiver threshold recessive normal-operating mode and receive-only mode	$V_{\text{Diff_R}}$	0.5	0.66	–	V	²⁾	P_7.1.27
Differential range dominant Normal-operating mode	$V_{\text{Diff_D_Range}}$	0.9	–	8.0	V	¹⁾²⁾	P_7.1.28
Differential range recessive Normal-operating mode	$V_{\text{Diff_R_Range}}$	-3.0	–	0.5	V	¹⁾²⁾	P_7.1.29
Common mode range	CMR	-12	–	12	V	$V_{\text{CC}} = 5 \text{ V}$;	P_7.1.30
Differential receiver hysteresis normal-operating mode	$V_{\text{Diff,hys}}$	–	90	–	mV	¹⁾	P_7.1.31
CANH, CANL input resistance	R_i	10	20	30	k Ω	recessive state;	P_7.1.32
Differential input resistance	R_{Diff}	20	40	60	k Ω	recessive state;	P_7.1.33

Electrical Characteristics

Table 6 Electrical characteristics (cont'd)

4.5 V < V_{CC} < 5.5 V; 3.0 V < V_{IO} < 5.5 V; R_L = 60 Ω; -40 °C < T_j < 150 °C; all voltages with respect to ground; positive current flowing into pin; unless otherwise specified.

Parameter	Symbol	Values			Unit	Note or Test Condition	Number
		Min.	Typ.	Max.			
Input resistance deviation between CANH and CANL	ΔR _i	- 1	-	1	%	recessive state; [xxx]	P_7.1.34
Input capacitance CANH, CANL versus GND	C _{In}	-	20	40	pF	¹⁾ V _{TxD} = V _{IO} ;	P_7.1.35
Differential input capacitance	C _{In_Diff}	-	10	20	pF	¹⁾ V _{TxD} = V _{IO} ;	P_7.1.36

Bus Transmitter

CANL/CANH recessive output voltage normal-operating mode	V _{CANL/H}	2.0	2.5	3.0	V	V _{TxD} = V _{IO} , no load;	P_7.1.37
CANH, CANL recessive output voltage difference normal-operating mode	V _{Diff_NM}	-500	-	50	mV	V _{TxD} = V _{IO} , no load;	P_7.1.38
CANL dominant output voltage normal-operating mode	V _{CANL}	0.5	-	2.25	V	V _{TxD} = 0 V;	P_7.1.39
CANH dominant output voltage normal-operating mode	V _{CANH}	2.75	-	4.5	V	V _{TxD} = 0 V;	P_7.1.40
CANH, CANL dominant output voltage difference normal-operating mode according to ISO 11898-2 V _{Diff} = V _{CANH} - V _{CANL}	V _{Diff}	1.5	-	3.0	V	V _{TxD} = 0 V, 50 Ω < R _L < 65 Ω, 4.75 < V _{CC} < 5.25 V;	P_7.1.41
CANH, CANL dominant output voltage difference normal-operating mode V _{Diff} = V _{CANH} - V _{CANL}	V _{Diff_EXT}	1.4	-	3.3	V	V _{TxD} = 0 V, 45 Ω < R _L < 70 Ω, 4.75 < V _{CC} < 5.25 V;	P_7.1.42
Differential voltage dominant high extended bus load Normal-operating mode	V _{Diff_HEX_BL}	1.5	-	5.0	V	V _{TxD} = 0 V, R _L = 2240Ω, 4.75 V < V _{CC} < 5.25 V, static behavior; ¹⁾	P_7.1.43
Driver dominant symmetry normal-operating mode V _{SYM} = V _{CANH} + V _{CANL}	V _{SYM}	4.5	5	5.5	V	V _{CC} = 5.0 V, V _{TxD} = 0 V;	P_7.1.44
CANL short circuit current	I _{CANLsc}	40	75	100	mA	V _{CANLshort} = 18 V, V _{CC} = 5.0 V, t < t _{TxD} , V _{TxD} = 0 V;	P_7.1.45

Electrical Characteristics

Table 6 Electrical characteristics (cont'd)

$4.5\text{ V} < V_{CC} < 5.5\text{ V}$; $3.0\text{ V} < V_{IO} < 5.5\text{ V}$; $R_L = 60\ \Omega$; $-40\text{ }^\circ\text{C} < T_j < 150\text{ }^\circ\text{C}$; all voltages with respect to ground; positive current flowing into pin; unless otherwise specified.

Parameter	Symbol	Values			Unit	Note or Test Condition	Number
		Min.	Typ.	Max.			
CANH short circuit current	I_{CANHsc}	-100	-75	-40	mA	$V_{CANHshort} = -3\text{ V}$, $V_{CC} = 5.0\text{ V}$, $t < t_{TXD}$, $V_{TXD} = 0\text{ V}$;	P_7.1.46
Leakage current, CANH	$I_{CANH,lk}$	-5	-	5	μA	$V_{CC} = V_{IO} = 0\text{ V}$, $0\text{ V} < V_{CANH} < 5\text{ V}$, $V_{CANH} = V_{CANL}$;	P_7.1.47
Leakage current, CANL	$I_{CANL,lk}$	-5	-	5	μA	$V_{CC} = V_{IO} = 0\text{ V}$, $0\text{ V} < V_{CANL} < 5\text{ V}$, $V_{CANH} = V_{CANL}$;	P_7.1.48

Electrical Characteristics

Table 6 Electrical characteristics (cont'd)

4.5 V < V_{CC} < 5.5 V; 3.0 V < V_{IO} < 5.5 V; R_L = 60 Ω; -40 °C < T_j < 150 °C; all voltages with respect to ground; positive current flowing into pin; unless otherwise specified.

Parameter	Symbol	Values			Unit	Note or Test Condition	Number
		Min.	Typ.	Max.			
Dynamic CAN-Transceiver Characteristics							
Propagation delay TxD-to-RxD “low” (“recessive to dominant”)	t _{Loop(H,L)}	–	170	230	ns	C _L = 100 pF, 4.75 V < V _{CC} < 5.25 V, C _{RxD} = 15 pF;	P_7.1.49
Propagation delay TxD-to-RxD “high” (dominant to recessive)	t _{Loop(L,H)}	–	170	230	ns	C _L = 100 pF, 4.75 V < V _{CC} < 5.25 V, C _{RxD} = 15 pF;	P_7.1.50
Propagation delay TxD “low” to bus dominant	t _{d(L),T}	–	90	140	ns	C _L = 100 pF, 4.75 V < V _{CC} < 5.25 V, C _{RxD} = 15 pF;	P_7.1.51
Propagation delay TxD “high” to bus recessive	t _{d(H),T}	–	90	140	ns	C _L = 100 pF, 4.75 V < V _{CC} < 5.25 V, C _{RxD} = 15 pF;	P_7.1.52
Propagation delay bus dominant to RxD “low”	t _{d(L),R}	–	90	140	ns	C _L = 100 pF, 4.75 V < V _{CC} < 5.25 V, C _{RxD} = 15 pF;	P_7.1.53
Propagation delay bus recessive to RxD “high”	t _{d(H),R}	–	90	140	ns	C _L = 100 pF, 4.75 V < V _{CC} < 5.25 V, C _{RxD} = 15 pF;	P_7.1.54
Delay Times							
Delay time for mode change	t _{Mode}	–	–	20	μs	¹⁾ (see Figure 14 and Figure 15);	P_7.1.55
CAN FD Characteristics							
Received recessive bit width at 2 MBit/s	t _{Bit(RxD)_2MB}	430	500	530	ns	C _L = 100 pF, 4.75 V < V _{CC} < 5.25 V, C _{RxD} = 15 pF, t _{Bit} = 500 ns, (see Figure 12);	P_7.1.56
Transmitted recessive bit width at 2 MBit/s	t _{Bit(Bus)_2MB}	450	500	530	ns	C _L = 100 pF, 4.75 V < V _{CC} < 5.25 V, C _{RxD} = 15 pF, t _{Bit} = 500 ns, (see Figure 12);	P_7.1.57
Receiver timing symmetry at 2 MBit/s Δt _{Rec} = t _{Bit(RxD)} - t _{Bit(Bus)}	Δt _{Rec_2MB}	-45	–	20	ns	C _L = 100 pF, 4.75 V < V _{CC} < 5.25 V, C _{RxD} = 15 pF, t _{Bit} = 500 ns, (see Figure 12);	P_7.1.58

1) Not subject to production test, specified by design.

2) In respect to common mode range.

Electrical Characteristics

7.2 Diagrams

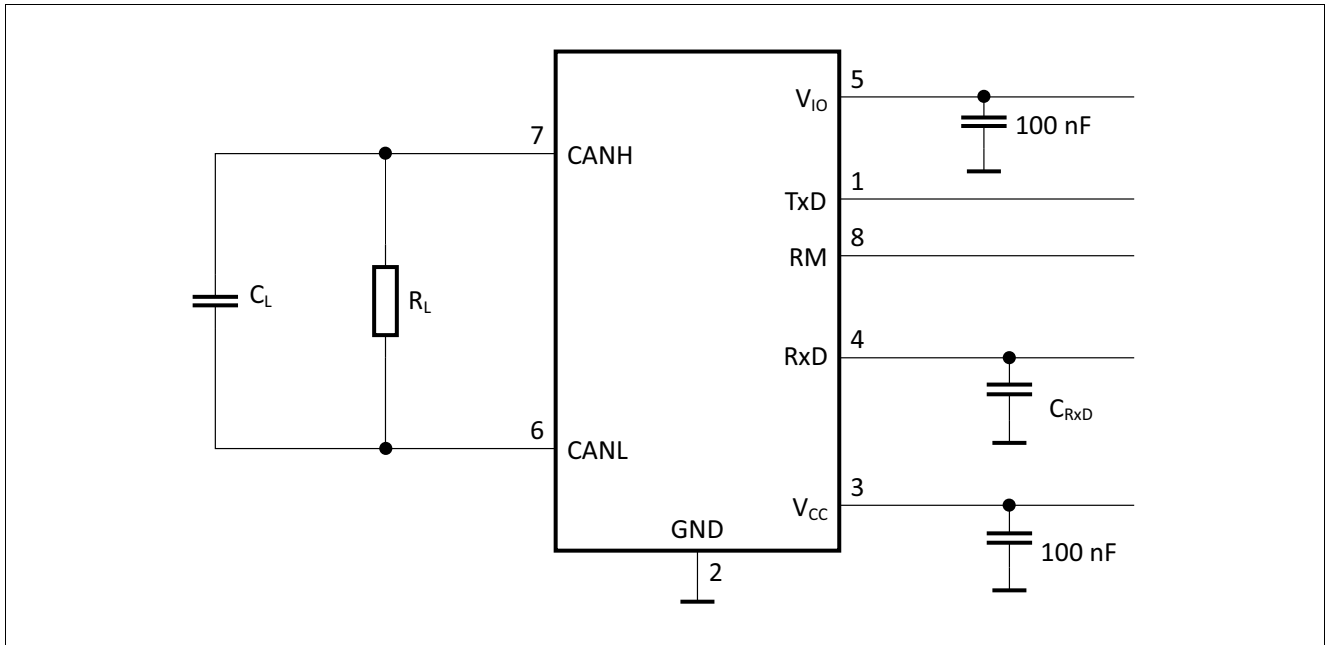


Figure 10 Test circuits for dynamic characteristics

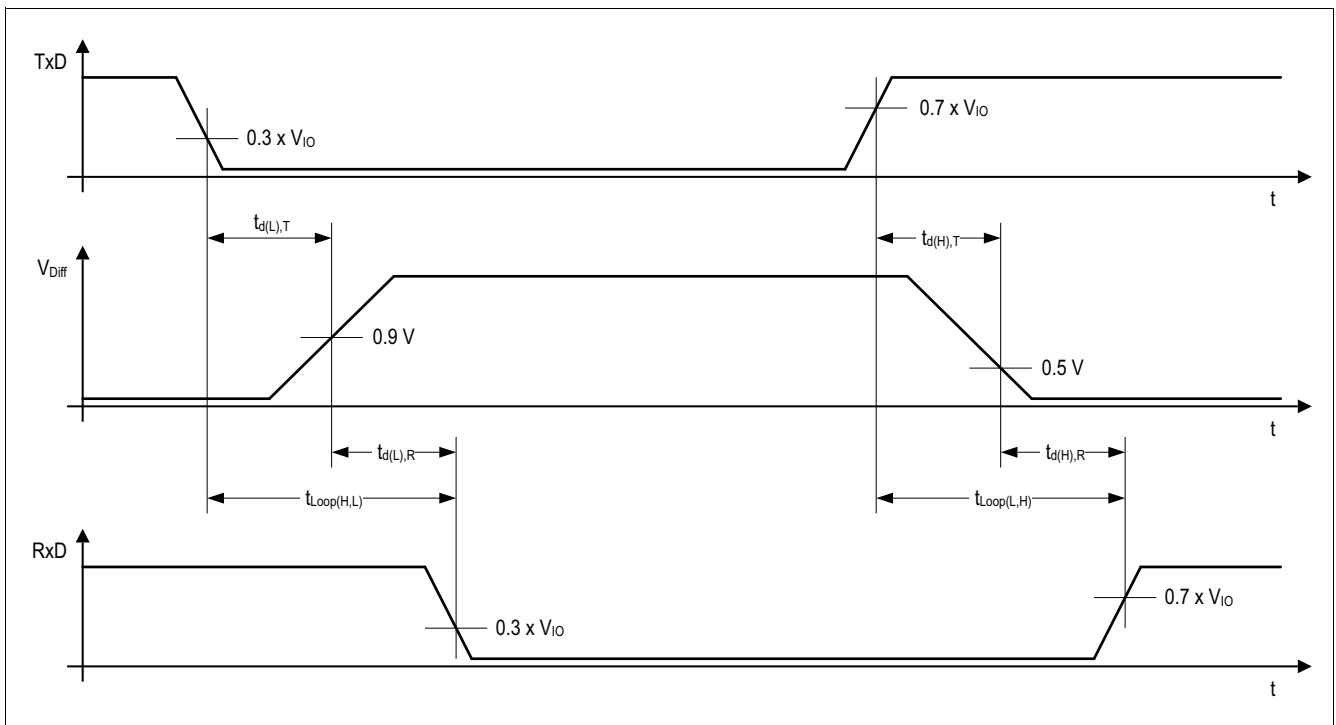


Figure 11 Timing diagrams for dynamic characteristics

Electrical Characteristics

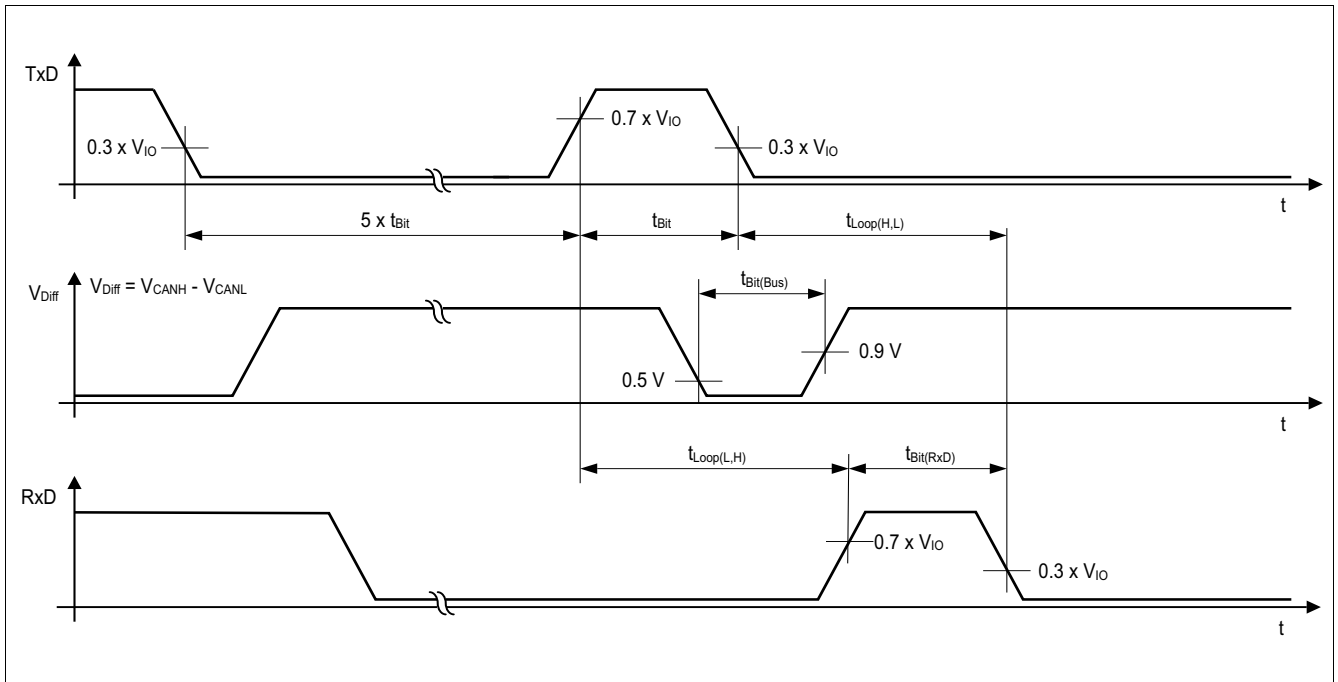


Figure 12 Recessive bit time - five dominant bits followed by one recessive bit

8 Application Information

8.1 ESD Robustness according to IEC61000-4-2

Tests for ESD robustness according to IEC61000-4-2 “Gun test” (150 pF, 330 Ω) have been performed. The results and test conditions are available in a separate test report.

Table 7 ESD robustness according to IEC61000-4-2

Performed Test	Result	Unit	Remarks
Electrostatic discharge voltage at pin CANH and CANL versus GND	≥ +8	kV	¹⁾ Positive pulse
Electrostatic discharge voltage at pin CANH and CANL versus GND	≤ -8	kV	¹⁾ Negative pulse

- 1) ESD susceptibility “ESD GUN” according to GIFT / ICT paper: “EMC Evaluation of CAN Transceivers, version 03/02/IEC TS62228”, section 4.3. (DIN EN61000-4-2)
Tested by external test facility (IBEE Zwickau, EMC test report no. TBD).

8.2 Application Example

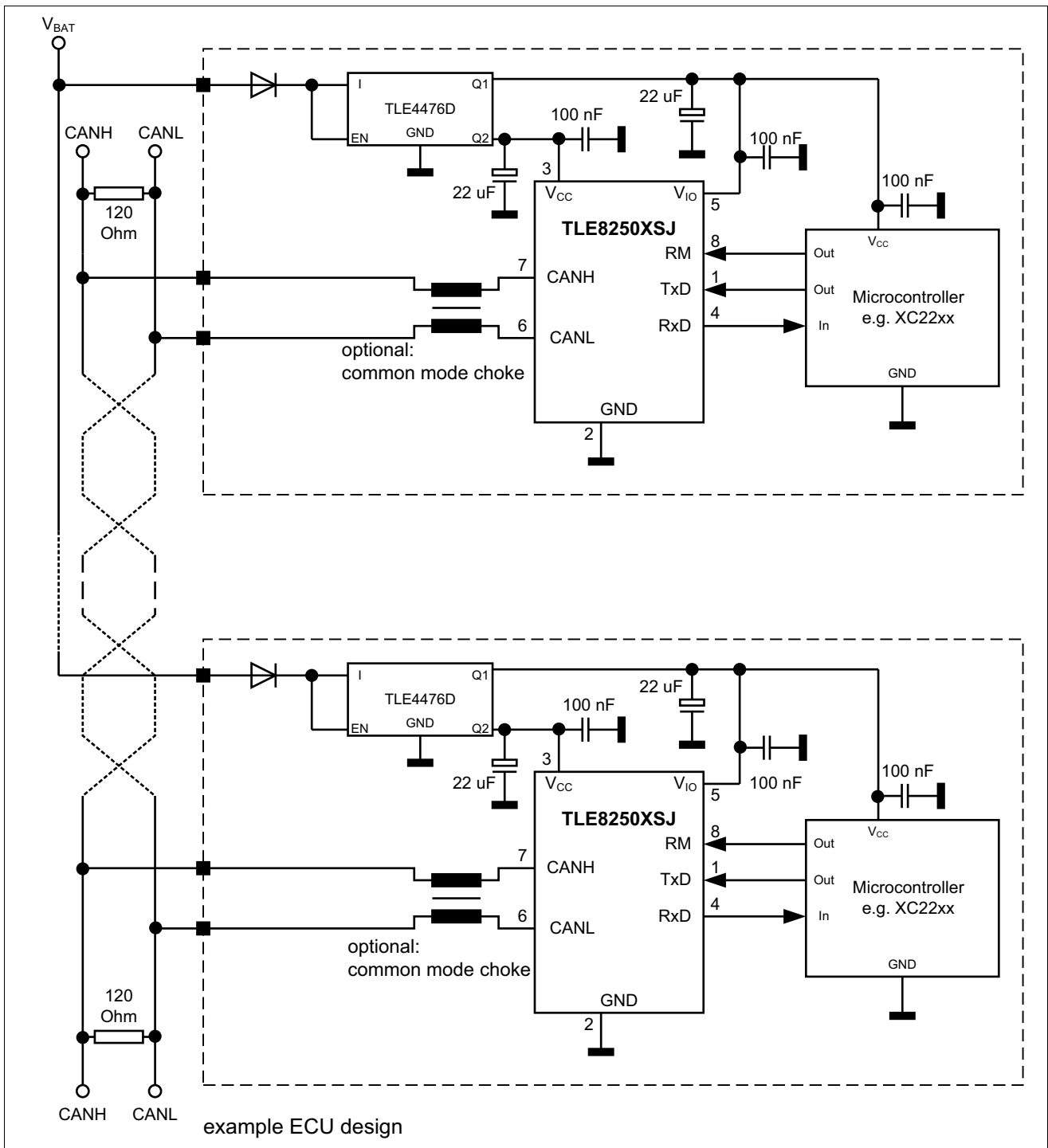


Figure 13 Application circuit