



Chipsmall Limited consists of a professional team with an average of over 10 year of expertise in the distribution of electronic components. Based in Hongkong, we have already established firm and mutual-benefit business relationships with customers from,Europe,America and south Asia,supplying obsolete and hard-to-find components to meet their specific needs.

With the principle of “Quality Parts,Customers Priority,Honest Operation,and Considerate Service”,our business mainly focus on the distribution of electronic components. Line cards we deal with include Microchip,ALPS,ROHM,Xilinx,Pulse,ON,Everlight and Freescale. Main products comprise IC,Modules,Potentiometer,IC Socket,Relay,Connector.Our parts cover such applications as commercial,industrial, and automotives areas.

We are looking forward to setting up business relationship with you and hope to provide you with the best service and solution. Let us make a better world for our industry!



Contact us

Tel: +86-755-8981 8866 Fax: +86-755-8427 6832

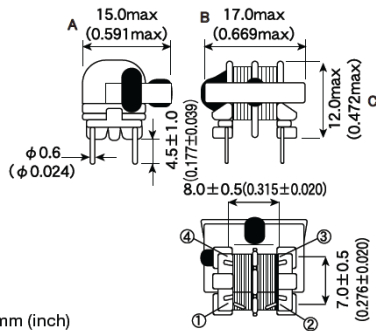
Email & Skype: info@chipsmall.com Web: www.chipsmall.com

Address: A1208, Overseas Decoration Building, #122 Zhenhua RD., Futian, Shenzhen, China



Leaded Common Mode Choke Coils for AC Lines

TLF9UAH102W0R8K1



■ Features

- Item Summary
1000 uH, 0.8 A, 15.0x17.0x12mm
- Lifecycle Stage
Mass Production
- Standard packaging quantity (minimum)
Bulk 500pcs

■ Products characteristics table

No. of Lines	2
Common Mode Inductance	1000 uH +100/-10%
Case Size (mm)	15.0x17.0
DC Resistance (max)	0.5 Ω
Rated Current (max)	0.8 A
Rated Voltage (max)	AC250 V
Operating Temp. Range	-25 to +105 °C (Including-self-generated heat)
Insulation Resistance (min)	100 MΩ
RoHS2 Compliance (10 subst.)	Yes
REACH Compliance (173 subst.)	Yes
Soldering	Wave

■ External Dimensions

Dimension A	Max 15.0 mm
Dimension B	Max 17.0 mm
Dimension C	Max 12.0 mm

The data is reference only. Electrical characteristics vary depending on environment or measurement condition. TAIYO YUDEN reserves the right to make change to the Date at any time without notice. Before making final selection, please check product specification.