



Chipsmall Limited consists of a professional team with an average of over 10 year of expertise in the distribution of electronic components. Based in Hongkong, we have already established firm and mutual-benefit business relationships with customers from,Europe,America and south Asia,supplying obsolete and hard-to-find components to meet their specific needs.

With the principle of “Quality Parts,Customers Priority,Honest Operation,and Considerate Service”,our business mainly focus on the distribution of electronic components. Line cards we deal with include Microchip,ALPS,ROHM,Xilinx,Pulse,ON,Everlight and Freescale. Main products comprise IC,Modules,Potentiometer,IC Socket,Relay,Connector.Our parts cover such applications as commercial,industrial, and automotives areas.

We are looking forward to setting up business relationship with you and hope to provide you with the best service and solution. Let us make a better world for our industry!



## Contact us

Tel: +86-755-8981 8866 Fax: +86-755-8427 6832

Email & Skype: info@chipsmall.com Web: www.chipsmall.com

Address: A1208, Overseas Decoration Building, #122 Zhenhua RD., Futian, Shenzhen, China



# MODEL TLH-5935

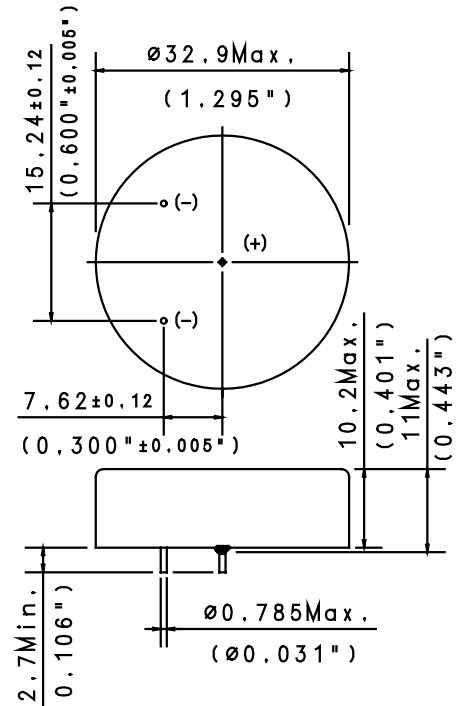
International size reference: 1/6D, ER32L100

## TECHNICAL DATA

(Typical values @+25°C for batteries stored for one year or less)

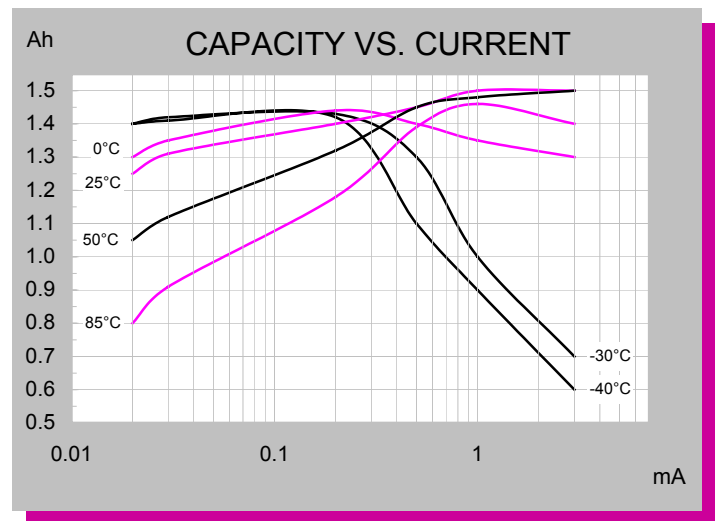
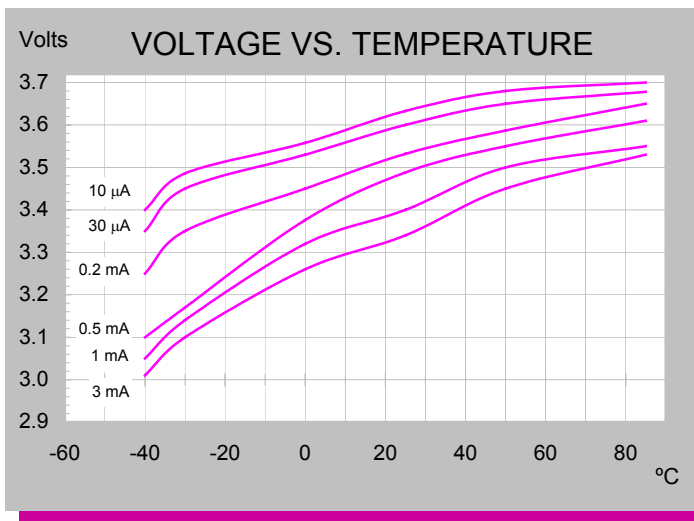
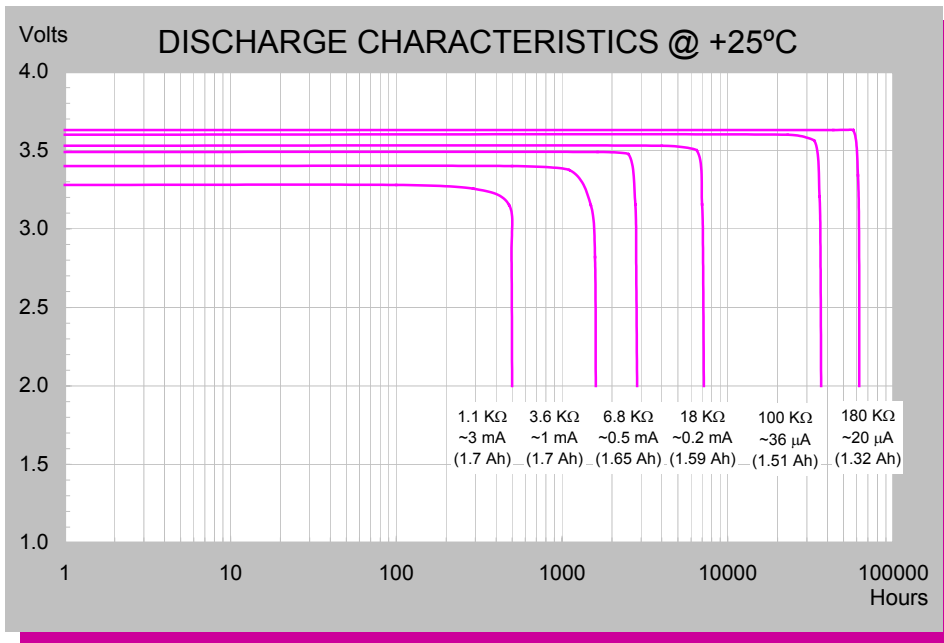
■ Nominal capacity @ 1 mA, to 2 V	1.5 Ah
■ Rated voltage	3.6 V
■ Maximum recommended continuous current	10 mA
■ Maximum pulse current capability	50 mA
■ Weight	21 g (0.74 oz)
■ Volume	8.2 cc
■ Operating temperature range	-55 °C to +125 °C
■ Li metal content	approx. 0.5 g
■ U.L. Component Recognition, MH 12193	

# TADIRAN LITHIUM BATTERIES



### ORDERING NO.

TERMINAL MATERIAL : TIN PLATED NICKEL  
CATALOGUE NO. : 15-5935-41505



## Extended Operating Range

Note: Any presentations in this data sheet concerning performance are for information purpose only and are not construed as warranties either expressed or implied, of future performance.

ECN 1501187 Rev. A 01/06