



Chipsmall Limited consists of a professional team with an average of over 10 year of expertise in the distribution of electronic components. Based in Hongkong, we have already established firm and mutual-benefit business relationships with customers from,Europe,America and south Asia,supplying obsolete and hard-to-find components to meet their specific needs.

With the principle of “Quality Parts,Customers Priority,Honest Operation,and Considerate Service”,our business mainly focus on the distribution of electronic components. Line cards we deal with include Microchip,ALPS,ROHM,Xilinx,Pulse,ON,Everlight and Freescale. Main products comprise IC,Modules,Potentiometer,IC Socket,Relay,Connector.Our parts cover such applications as commercial,industrial, and automotives areas.

We are looking forward to setting up business relationship with you and hope to provide you with the best service and solution. Let us make a better world for our industry!



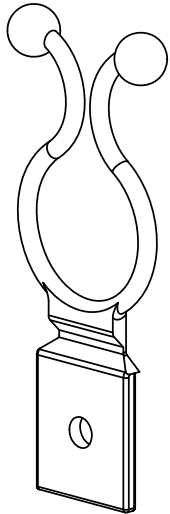
Contact us

Tel: +86-755-8981 8866 Fax: +86-755-8427 6832

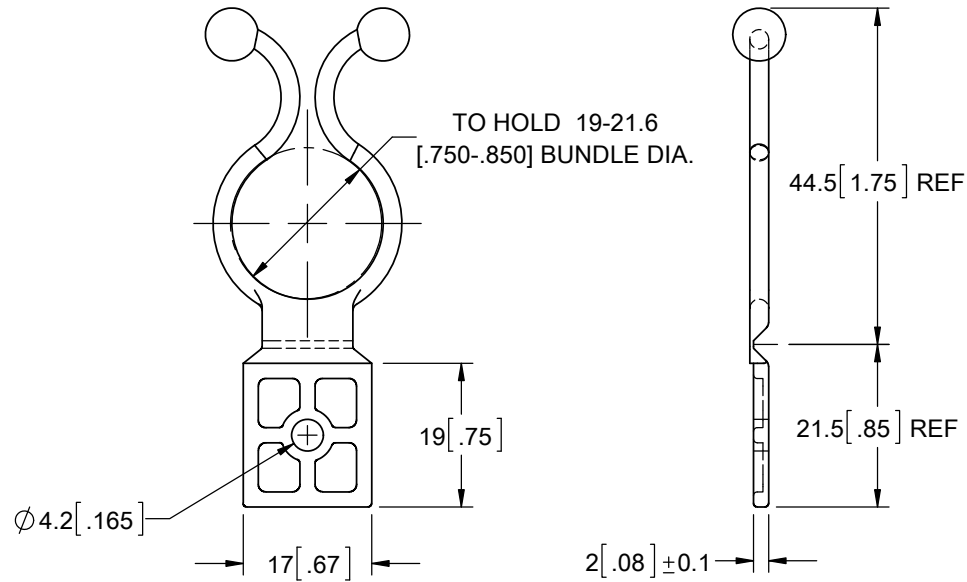
Email & Skype: info@chipsmall.com Web: www.chipsmall.com

Address: A1208, Overseas Decoration Building, #122 Zhenhua RD., Futian, Shenzhen, China





MATERIAL: NYLON 6/6 UL94 V-2 (RMS-01) COLOR: NATURAL. PART NO.	MATERIAL: NYLON 6/6 UL94 V-0 (RMS-19) COLOR: NATURAL. PART NO.
TLH-800-01	TLH-800-19



NOTES:

1. ALTERNATE UNITS FOR REFERENCE ONLY.
2. RECOMMENDED SCREW SIZE: #6 OR M3

TITLE: TWIST LOCK, HINGED-800				UNITS: mm [IN]	FINAL
CREATED USING SOLIDWORKS	FILE #: TLH-800	DWN: SK	APP: SK	FINAL	
GENERAL TOLERANCE UNLESS NOTED	SHEET: 1 OF 1	SHEET SIZE: A	DT: 02/17/2012	CHKD: DZ	PART #
±0.25 ANG. ±1°	RE: RICHCO, INC.	RICHCO, INC. WWW.RICHCO-INC.COM		SEE TABLE	PRINT TYPE CA
D	REDRAWN FROM ACAD TO SOLIDWORKS, CO 200759	SK	02/17/2012		
-	SEE ENGINEERING FOR REVISIONS A TO C	-	-----		
REV.	DESCRIPTION	ENGR.	DATE		