



Chipsmall Limited consists of a professional team with an average of over 10 year of expertise in the distribution of electronic components. Based in Hongkong, we have already established firm and mutual-benefit business relationships with customers from,Europe,America and south Asia,supplying obsolete and hard-to-find components to meet their specific needs.

With the principle of “Quality Parts,Customers Priority,Honest Operation,and Considerate Service”,our business mainly focus on the distribution of electronic components. Line cards we deal with include Microchip,ALPS,ROHM,Xilinx,Pulse,ON,Everlight and Freescale. Main products comprise IC,Modules,Potentiometer,IC Socket,Relay,Connector.Our parts cover such applications as commercial,industrial, and automotives areas.

We are looking forward to setting up business relationship with you and hope to provide you with the best service and solution. Let us make a better world for our industry!



## Contact us

Tel: +86-755-8981 8866 Fax: +86-755-8427 6832

Email & Skype: info@chipsmall.com Web: www.chipsmall.com

Address: A1208, Overseas Decoration Building, #122 Zhenhua RD., Futian, Shenzhen, China



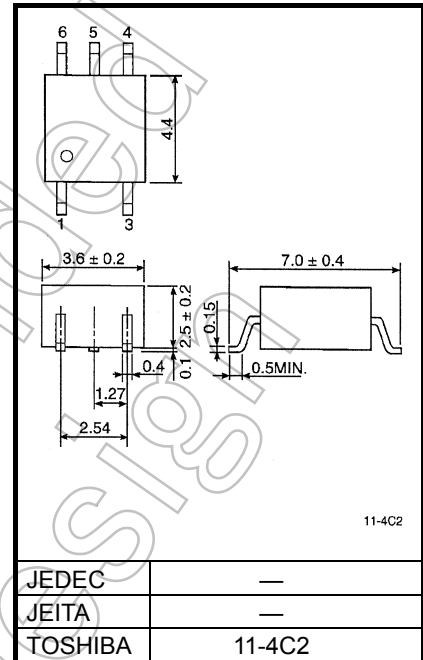
# TLP2098

Programmable controllers  
 High-speed digital interfaces  
 Data transmission between circuits  
 with different voltage potential

The Toshiba TLP2098 consists of two GaAlAs infrared light emitting diode optically coupled to a high-gain, high-speed photodetector. The TLP2098 is housed in a 6-pin MFSOP. The TLP2098 has an internal Faraday shield, which provides a guaranteed common-mode transient immunity of  $\pm 15$  kV/ $\mu$ s. The TLP2098 has an inverting output. A non-inverting output version, the TLP2095, is also available.

- Inverter logic type (totem-pole output)
- Guaranteed Performance over temperature: -40 to 100°C
- Power Supply Voltage: 3.0 to 20 V
- Input Threshold Current:  $I_{FHL} = \pm 3$  mA (max)
- Switching Time ( $t_{pLH}/t_{pHL}$ ): 250 ns (max)
- Common mode transient immunity:  $\pm 15$  kV/ $\mu$ s
- Isolation Voltage: 3750 Vrms

Unit: mm

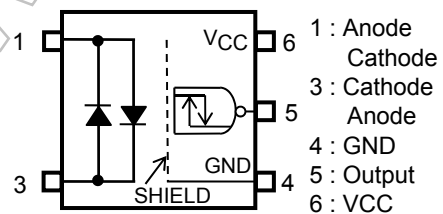


Weight: 0.09 g (typ.)

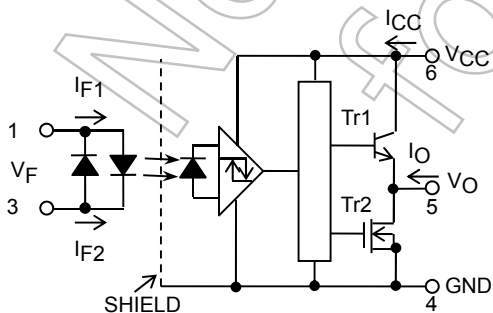
**Truth Table**

Input	LED	Tr1	Tr2	Output
H	ON	OFF	ON	L
L	OFF	ON	OFF	H

**Pin Configuration (top view)**



**Schematic**



**0.1  $\mu$ F bypass capacitor must be connected between pin 6 and 4**

Start of commercial production  
 2009/06

**Recommended Operating Conditions**

CHARACTERISTIC	SYMBOL	MIN	TYP.	MAX	UNIT
Input Current , ON	$\pm I_{F(ON)}$	5	—	15	mA
Input Voltage , OFF	$\pm V_{F(OFF)}$	0	—	0.8	V
Supply Voltage*	$V_{CC}$	3.0	—	20	V
Operating Temperature	$T_{opr}$	-40	—	100	°C

\* This item denotes operating range, not meaning of recommended operating conditions.

Note: Recommended operating conditions are given as a design guideline to obtain expected performance of the device. Additionally, each item is an independent guideline respectively. In developing designs using this product, please confirm specified characteristics shown in this document.

**Absolute Maximum Ratings (Ta = 25°C)**

CHARACTERISTIC		SYMBOL	RATING	UNIT
LED	Forward Current	$I_F$	±20	mA
	Forward Current Derating (Ta ≤ 83°C)	$\Delta I_F / ^\circ C$	-0.48	mA/°C
	Peak Transient Forward Current (Note1)	$I_{FPT}$	±1	A
DETECTOR	Output Current 1 (Ta ≤ 25°C)	$I_{O1}$	25/-15	mA
	Output Current 2 (Ta ≤ 100°C)	$I_{O2}$	5/-5	mA
	Output Voltage	$V_O$	-0.5 to 20	V
	Supply Voltage	$V_{CC}$	-0.5 to 20	V
Operating Temperature Range		$T_{opr}$	-40 to 100	°C
Storage Temperature Range		$T_{stg}$	-55 to 125	°C
Lead Solder Temperature (10s)		$T_{sol}$	260	°C
Isolation Voltage (AC, 1 minute, R.H. ≤ 60%, Ta=25°C) (Note 2)		$BV_S$	3750	$V_{rms}$

Note: Using continuously under heavy loads (e.g. the application of high temperature/current/voltage and the significant change in temperature, etc.) may cause this product to decrease in the reliability significantly even if the operating conditions (i.e. operating temperature/current/voltage, etc.) are within the absolute maximum ratings.

Please design the appropriate reliability upon reviewing the Toshiba Semiconductor Reliability Handbook (“Handling Precautions”/“Derating Concept and Methods”) and individual reliability data (i.e. reliability test report and estimated failure rate, etc).

Note 1: Pulse width ≤ 1μs, 300 pps.

Note 2: Device considered a two terminal device: pins 1 and 3 shorted together and pins 4, 5 and 6 shorted together.

**Electrical Characteristics**

(Unless otherwise specified, Ta = -40 to 100°C, VCC = 3.0 to 20 V)

CHARACTERISTIC	SYMBOL	TEST CIRCUIT	CONDITION	MIN	TYP.	MAX	UNIT	
Input Forward Voltage	V <sub>F</sub>	—	I <sub>F</sub> = 10 mA, Ta = 25°C	1.45	1.57	1.75	V	
Temperature Coefficient of Forward Voltage	ΔV <sub>F</sub> /ΔTa	—	I <sub>F</sub> = 10 mA	—	-2.0	—	mV/°C	
Input Capacitance	C <sub>T</sub>	—	V = 0, f = 1 MHz, Ta = 25°C	—	190	—	pF	
Logic Low Output Voltage	V <sub>OL</sub>	1	I <sub>OL</sub> = 0.02 mA, I <sub>F</sub> = 5 mA	—	0.2	0.6	V	
Logic High Output Voltage	V <sub>OH</sub>	2	I <sub>OH</sub> = -0.02 mA, V <sub>F</sub> = 0.8 V	V <sub>CC</sub> = 3.0 V	2.0	2.5	—	V
				V <sub>CC</sub> = 20 V	17.4	19.5	—	
Logic Low Supply Current	I <sub>CCL</sub>	3	I <sub>F</sub> = 5 mA	—	—	3.0	mA	
Logic High Supply Current	I <sub>CCH</sub>	4	V <sub>F</sub> = 0 V	—	—	3.0	mA	
Logic Low Short Circuit Output Current (Note3)	I <sub>OSL</sub>	5	I <sub>F</sub> = 5 mA	V <sub>CC</sub> =V <sub>O</sub> =4.5 V	15	80	—	mA
				V <sub>CC</sub> =V <sub>O</sub> =20 V	20	90	—	
Logic High Short Circuit Output Current (Note3)	I <sub>OSH</sub>	6	V <sub>F</sub> = 0 V V <sub>O</sub> = GND	V <sub>CC</sub> =4.5 V	-5	-12	—	mA
				V <sub>CC</sub> =20 V	-10	-20	—	
Input Current Logic Low Output	I <sub>FHL</sub>	—	I <sub>O</sub> = 0.02 mA, V <sub>O</sub> < 0.6 V	—	1.0	3.0	mA	
Input Voltage Logic High Output	V <sub>FLH</sub>	—	I <sub>O</sub> = -0.02 mA, V <sub>O</sub> > 2.0 V	0.8	—	—	V	
Input Current Hysteresis	I <sub>HYS</sub>	—	V <sub>CC</sub> = 5 V	—	0.05	—	mA	

\* All typical values are at V<sub>CC</sub>=5V, Ta=25°C

Note 3: Duration of output short circuit time should not exceed 10 ms.

Note 4: A ceramic capacitor (0.1μA) should be connected from pin 6 to pin 4 to stabilize the operation of the high gain linear amplifier. Failure to provide the bypassing may impair the switching property. The total lead length between capacitor and coupler should not exceed 1 cm.

**Isolation Characteristics (Ta = 25°C)**

Characteristic	Symbol	Test Condition	MIN	TYP.	MAX	UNIT
Capacitance input to output	C <sub>S</sub>	V <sub>S</sub> = 0, f = 1 MHz (Note 2)	—	0.8	—	pF
Isolation resistance	R <sub>S</sub>	R.H. ≤ 60%, V <sub>S</sub> = 500 V (Note 2)	1×10 <sup>12</sup>	10 <sup>14</sup>	—	Ω
Isolation voltage	BV <sub>S</sub>	AC, 1 minute	3750	—	—	V <sub>rms</sub>
		AC, 1 second, in oil	—	10000	—	
		DC, 1 minute, in oil	—	10000	—	V <sub>dc</sub>

## Switching Characteristics

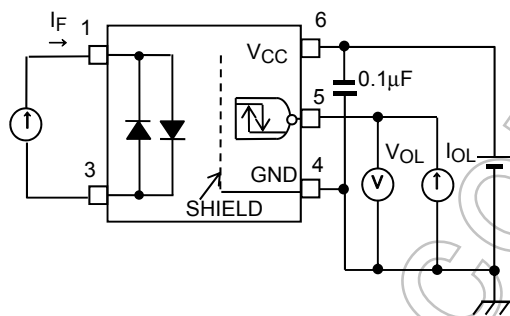
(Unless otherwise specified,  $T_a = -40$  to  $100^\circ\text{C}$ ,  $V_{CC} = 3.0$  to  $20\text{ V}$ )

CHARACTERISTIC	SYMBOL	TEST CIRCUIT	CONDITION	MIN	TYP.	MAX	UNIT
Propagation Delay Time to Logic High output	$t_{pLH}$	7, 8 (Note5)	$I_F = 5 \rightarrow 0\text{ mA}$	30	150	250	ns
Propagation Delay Time to Logic Low output	$t_{pHL}$		$I_F = 0 \rightarrow 5\text{ mA}$	30	150	250	ns
Switching Time Dispersion between ON and OFF	$ t_{pHL} - t_{pLH} $		—	—	—	220	ns
Rise Time (10 – 90 %)	$t_r$		$I_F = 5 \rightarrow 0\text{ mA}$ , $V_{CC} = 5\text{ V}$	—	30	75	ns
Fall Time (90 – 10 %)	$t_f$		$I_F = 0 \rightarrow 5\text{ mA}$ , $V_{CC} = 5\text{ V}$	—	30	75	ns
Common Mode transient Immunity at High Level Output	$CM_H$	9	$V_{CM} = 1000V_{p-p}$ , $I_F = 0\text{ A}$ , $V_{CC} = 20\text{ V}$ , $T_a = 25^\circ\text{C}$	-15	—	—	kV/ $\mu\text{s}$
Common Mode transient Immunity at Low Level Output	$CM_L$		$V_{CM} = 1000V_{p-p}$ , $I_F = 5\text{ mA}$ , $V_{CC} = 20\text{ V}$ , $T_a = 25^\circ\text{C}$	15	—	—	kV/ $\mu\text{s}$

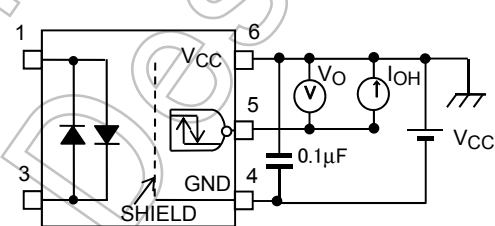
\*All typical values are at  $T_a = 25^\circ\text{C}$

Note5.  $V_{CC} = 4.5$  to  $20\text{ V}$  at test circuit 7.

**TEST CIRCUIT 1: VOL**

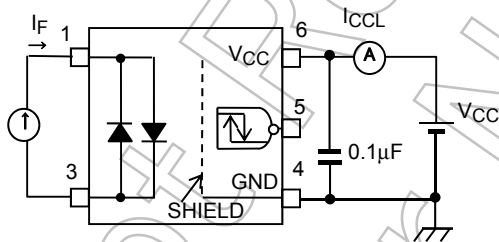


**TEST CIRCUIT 2: VOH**

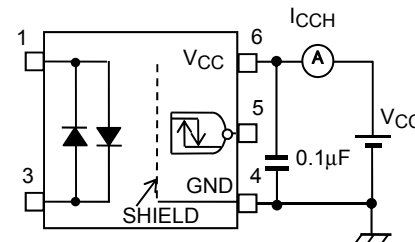


\* $V_{OH} = V_{CC} - V_O$

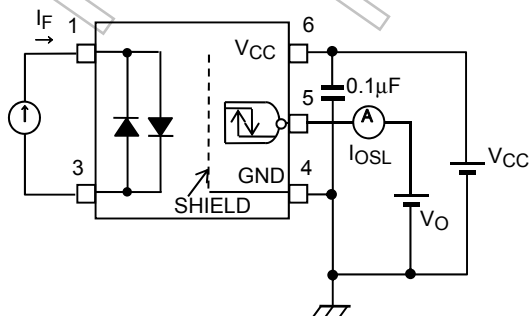
**TEST CIRCUIT 3: ICCL**



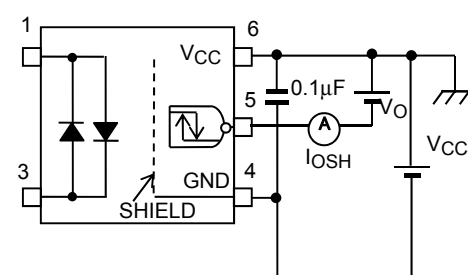
**TEST CIRCUIT 4: ICCH**



**TEST CIRCUIT 5: IOSL**

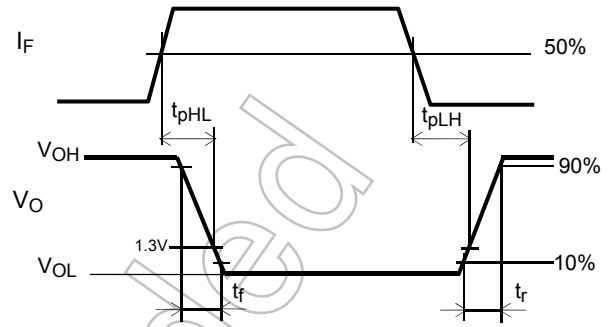
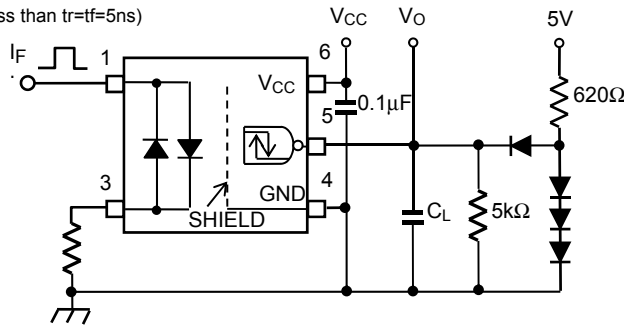


**TEST CIRCUIT 6: IOSH**



**TEST CIRCUIT 7: Switching Time Test Circuit**

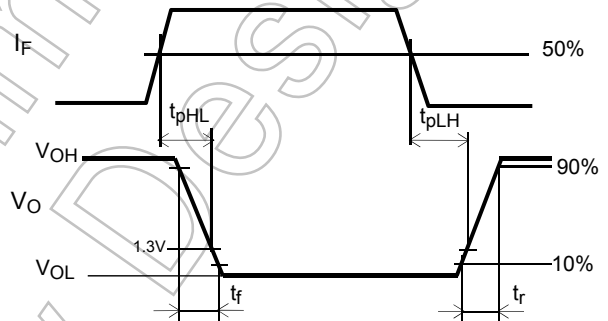
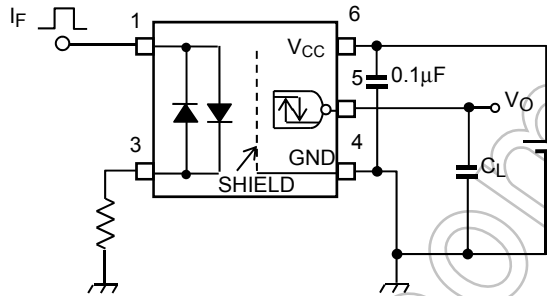
$I_F=5\text{mA}$  (P.G)  
 (f=50 kHz, duty=50%,  
 less than  $t_r=t_f=5\text{ns}$ )



$C_L$  is approximately 15 pF which includes probe and stray wiring capacitance.  
 P.G.: Pulse generator

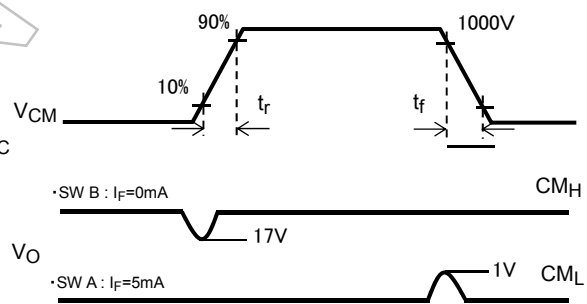
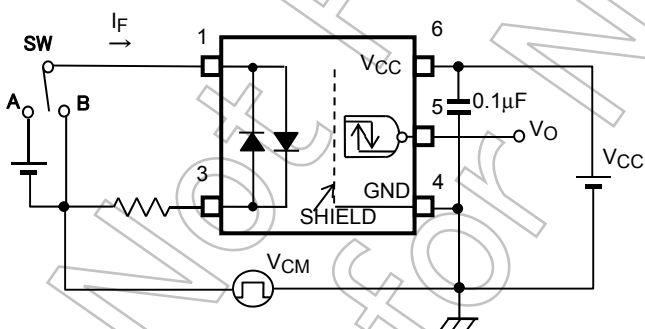
**TEST CIRCUIT 8: Switching Time Test Circuit**

$I_F=5\text{mA}$  (P.G)  
 (f=50 kHz, duty=50%,  
 less than  $t_r=t_f=5\text{ns}$ )



$C_L$  is approximately 15 pF which includes probe and stray wiring capacitance.  
 P.G.: Pulse generator

**TEST CIRCUIT 9: Common Mode Transient Immunity Test Circuit**



$$CM_H = \frac{800(V)}{t_f(\mu s)} \quad CM_L = \frac{800(V)}{t_r(\mu s)}$$

## Soldering and Storage

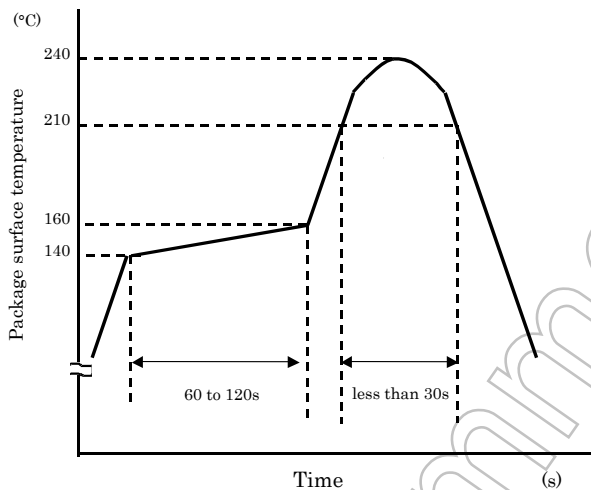
### 1. Soldering

#### 1.1 Soldering

When using a soldering iron or medium infrared ray/hot air reflow, avoid a rise in device temperature as much as possible by observing the following conditions.

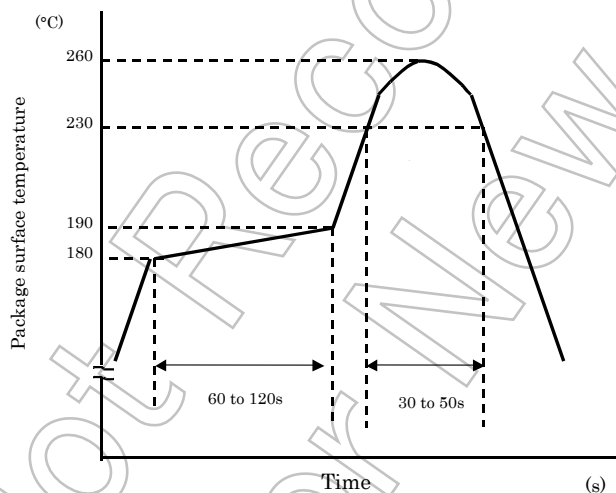
#### 1) Using solder reflow

· Temperature profile example of lead (Pb) solder



This profile is based on the device's maximum heat resistance guaranteed value. Set the preheat temperature/heating temperature to the optimum temperature corresponding to the solder paste type used by the customer within the described profile.

· Temperature profile example of using lead (Pb)-free solder



This profile is based on the device's maximum heat resistance guaranteed value. Set the preheat temperature/heating temperature to the optimum temperature corresponding to the solder paste type used by the customer within the described profile.

- Reflow soldering must be performed once or twice.
- The mounting should be completed with the interval from the first to the last mountings being 2 weeks.

#### 2) Using solder flow (for lead (Pb) solder, or lead (Pb)-free solder)

- Please preheat it at 150°C between 60 and 120 seconds.
- Complete soldering within 10 seconds below 260°C. Each pin may be heated at most once.

#### 3) Using a soldering iron

Complete soldering within 10 seconds below 260°C, or within 3 seconds at 350°C. Each pin may be heated at most once.

## 2. Storage

- 1) Avoid storage locations where devices may be exposed to moisture or direct sunlight.
- 2) Follow the precautions printed on the packing label of the device for transportation and storage.
- 3) Keep the storage location temperature and humidity within a range of 5°C to 35°C and 45% to 75% respectively.
- 4) Do not store the products in locations with poisonous gases (especially corrosive gases) or in dusty conditions.
- 5) Store the products in locations with minimal temperature fluctuations. Rapid temperature changes during storage can cause condensation, resulting in lead oxidation or corrosion, which will deteriorate the solderability of the leads.
- 6) When restoring devices after removal from their packing, use anti-static containers.
- 7) Do not allow loads to be applied directly to devices while they are in storage.
- 8) If devices have been stored for more than two years under normal storage conditions, it is recommended that you check the leads for ease of soldering prior to use.

Not Recommended  
for New Design



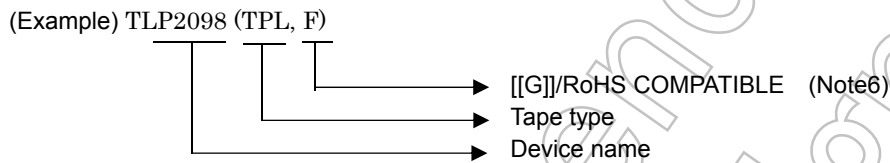
## Specification for Embossed-Tape Packing (TPL)(TPR) for Mini-flat Coupler

### 1. Applicable Package

Package	Product Type
MFSOP	Mini-flat coupler

### 2. Product Naming System

Type of package used for shipment is denoted by a symbol suffix after a product number. The method of classification is as below.



### 3. Tape Dimensions

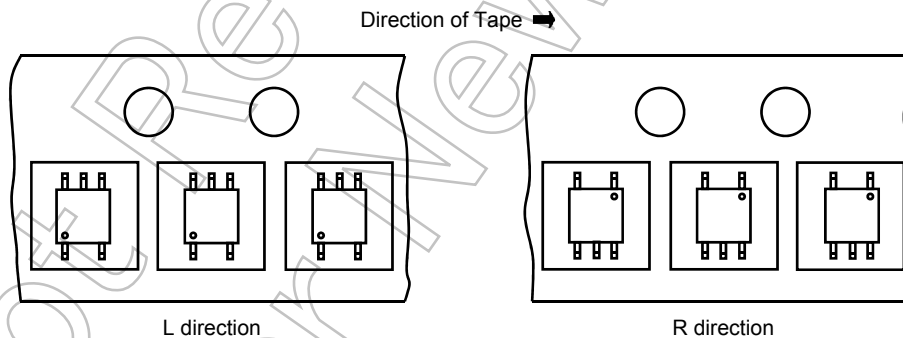
#### 3.1 Specification Classification are as shown in Table 1

**Table 1 Tape Type Classification**

Tape type	Classification	Quantity (pcs / reel)
TPL	L direction	3000
TPR	R direction	3000

#### 3.2 Orientation of Device in Relation to Direction of Tape Movement

Device orientation in the recesses is as shown in Figure 1.



**Figure 1 Device Orientation**

**3.3 Empty Device Recesses are as shown in Table 2.**

**Table 2 Empty Device Recesses**

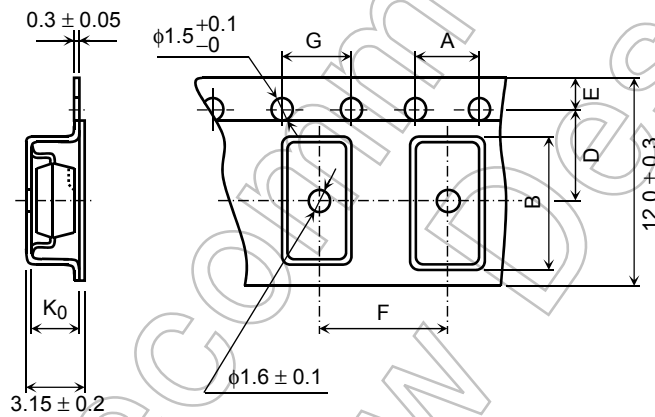
	Standard	Remarks
Occurrences of 2 or more successive empty device recesses	0	Within any given 40-mm section of tape, not including leader and trailer
Single empty device recesses	6 devices (max) per reel	Not including leader and trailer

**3.4 Start and End of Tape**

The start of the tape has 50 or more empty holes. The end of tape has 50 or more empty holes and two empty turns only for a cover tape.

**3.5 Tape Specification**

- (1) Tape material: Plastic (protection against electrostatics)
- (2) Dimensions: The tape dimensions are as shown in Figure 2 and Table 3.



**Figure 2 Tape Forms**

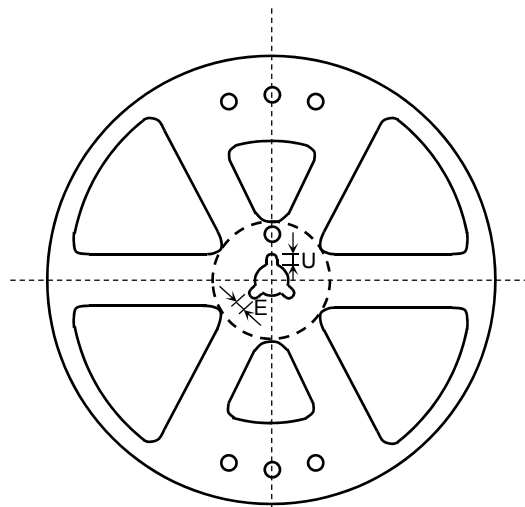
**Table 3 Tape Dimensions**

Unit: mm  
Unless otherwise specified: ±0.1

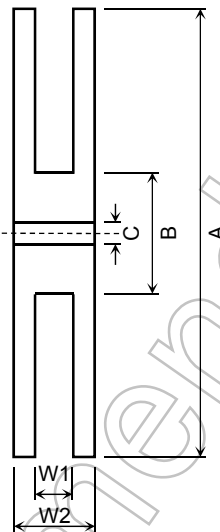
Symbol	Dimension	Remark
A	4.2	—
B	7.6	—
D	5.5	Centre line of indented square hole and sprocket hole
E	1.75	Distance between tape edge and hole center
F	8.0	Cumulative error $\begin{matrix} +0.1 \\ -0.3 \end{matrix}$ (max) per 10 feed holes
G	4.0	Cumulative error $\begin{matrix} +0.1 \\ -0.3 \end{matrix}$ (max) per 10 feed holes
K <sub>0</sub>	2.8	Internal space

**3.6 Reel**

- (1) Material: Plastic
- (2) Dimensions: The reel dimensions are as shown in Figure 3 and Table 4.



**Figure 3 Reel Form**



**Table 4 Reel Dimensions**

Unit: mm

Symbol	Dimension
A	$\Phi 380 \pm 2$
B	$\Phi 80 \pm 1$
C	$\Phi 13 \pm 0.5$
E	$2.0 \pm 0.5$
U	$4.0 \pm 0.5$
W1	$13.5 \pm 0.5$
W2	$17.5 \pm 1.0$

**4. Packing**

Either one reel or five reels of photocoupler are packed in a shipping carton.

**5. Label Indication**

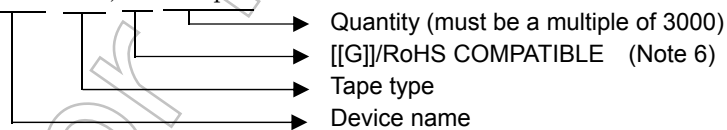
The carton bears a label indicating the product number, the symbol representing classification of standard, the quantity, the lot number and the Toshiba company name.

**6. Ordering Method**

When placing an order, please specify the product number, the tape type and the quantity as shown in the following example.

(Example)

(Example) TLP2098 (TPL, F) 3000 pcs



Note 6 : Please contact your TOSHIBA sales representative for details as to environmental matters such as the RoHS compatibility of Product.

RoHS is the Directive 2011/65/EU of the European Parliament and of the Council of 8 June 2011 on the restriction of the use of certain hazardous substances in electrical and electronics equipment.

## RESTRICTIONS ON PRODUCT USE

- Toshiba Corporation, and its subsidiaries and affiliates (collectively "TOSHIBA"), reserve the right to make changes to the information in this document, and related hardware, software and systems (collectively "Product") without notice.
- This document and any information herein may not be reproduced without prior written permission from TOSHIBA. Even with TOSHIBA's written permission, reproduction is permissible only if reproduction is without alteration/omission.
- Though TOSHIBA works continually to improve Product's quality and reliability, Product can malfunction or fail. Customers are responsible for complying with safety standards and for providing adequate designs and safeguards for their hardware, software and systems which minimize risk and avoid situations in which a malfunction or failure of Product could cause loss of human life, bodily injury or damage to property, including data loss or corruption. Before customers use the Product, create designs including the Product, or incorporate the Product into their own applications, customers must also refer to and comply with (a) the latest versions of all relevant TOSHIBA information, including without limitation, this document, the specifications, the data sheets and application notes for Product and the precautions and conditions set forth in the "TOSHIBA Semiconductor Reliability Handbook" and (b) the instructions for the application with which the Product will be used with or for. Customers are solely responsible for all aspects of their own product design or applications, including but not limited to (a) determining the appropriateness of the use of this Product in such design or applications; (b) evaluating and determining the applicability of any information contained in this document, or in charts, diagrams, programs, algorithms, sample application circuits, or any other referenced documents; and (c) validating all operating parameters for such designs and applications. **TOSHIBA ASSUMES NO LIABILITY FOR CUSTOMERS' PRODUCT DESIGN OR APPLICATIONS.**
- **PRODUCT IS NEITHER INTENDED NOR WARRANTED FOR USE IN EQUIPMENTS OR SYSTEMS THAT REQUIRE EXTRAORDINARILY HIGH LEVELS OF QUALITY AND/OR RELIABILITY, AND/OR A MALFUNCTION OR FAILURE OF WHICH MAY CAUSE LOSS OF HUMAN LIFE, BODILY INJURY, SERIOUS PROPERTY DAMAGE AND/OR SERIOUS PUBLIC IMPACT ("UNINTENDED USE").** Except for specific applications as expressly stated in this document, Unintended Use includes, without limitation, equipment used in nuclear facilities, equipment used in the aerospace industry, medical equipment, equipment used for automobiles, trains, ships and other transportation, traffic signaling equipment, equipment used to control combustions or explosions, safety devices, elevators and escalators, devices related to electric power, and equipment used in finance-related fields. **IF YOU USE PRODUCT FOR UNINTENDED USE, TOSHIBA ASSUMES NO LIABILITY FOR PRODUCT.** For details, please contact your TOSHIBA sales representative.
- Do not disassemble, analyze, reverse-engineer, alter, modify, translate or copy Product, whether in whole or in part.
- Product shall not be used for or incorporated into any products or systems whose manufacture, use, or sale is prohibited under any applicable laws or regulations.
- The information contained herein is presented only as guidance for Product use. No responsibility is assumed by TOSHIBA for any infringement of patents or any other intellectual property rights of third parties that may result from the use of Product. No license to any intellectual property right is granted by this document, whether express or implied, by estoppel or otherwise.
- **ABSENT A WRITTEN SIGNED AGREEMENT, EXCEPT AS PROVIDED IN THE RELEVANT TERMS AND CONDITIONS OF SALE FOR PRODUCT, AND TO THE MAXIMUM EXTENT ALLOWABLE BY LAW, TOSHIBA (1) ASSUMES NO LIABILITY WHATSOEVER, INCLUDING WITHOUT LIMITATION, INDIRECT, CONSEQUENTIAL, SPECIAL, OR INCIDENTAL DAMAGES OR LOSS, INCLUDING WITHOUT LIMITATION, LOSS OF PROFITS, LOSS OF OPPORTUNITIES, BUSINESS INTERRUPTION AND LOSS OF DATA, AND (2) DISCLAIMS ANY AND ALL EXPRESS OR IMPLIED WARRANTIES AND CONDITIONS RELATED TO SALE, USE OF PRODUCT, OR INFORMATION, INCLUDING WARRANTIES OR CONDITIONS OF MERCHANTABILITY, FITNESS FOR A PARTICULAR PURPOSE, ACCURACY OF INFORMATION, OR NONINFRINGEMENT.**
- GaAs (Gallium Arsenide) is used in Product. GaAs is harmful to humans if consumed or absorbed, whether in the form of dust or vapor. Handle with care and do not break, cut, crush, grind, dissolve chemically or otherwise expose GaAs in Product.
- Do not use or otherwise make available Product or related software or technology for any military purposes, including without limitation, for the design, development, use, stockpiling or manufacturing of nuclear, chemical, or biological weapons or missile technology products (mass destruction weapons). Product and related software and technology may be controlled under the applicable export laws and regulations including, without limitation, the Japanese Foreign Exchange and Foreign Trade Law and the U.S. Export Administration Regulations. Export and re-export of Product or related software or technology are strictly prohibited except in compliance with all applicable export laws and regulations.
- Please contact your TOSHIBA sales representative for details as to environmental matters such as the RoHS compatibility of Product. Please use Product in compliance with all applicable laws and regulations that regulate the inclusion or use of controlled substances, including without limitation, the EU RoHS Directive. **TOSHIBA ASSUMES NO LIABILITY FOR DAMAGES OR LOSSES OCCURRING AS A RESULT OF NONCOMPLIANCE WITH APPLICABLE LAWS AND REGULATIONS.**