



Chipsmall Limited consists of a professional team with an average of over 10 year of expertise in the distribution of electronic components. Based in Hongkong, we have already established firm and mutual-benefit business relationships with customers from,Europe,America and south Asia,supplying obsolete and hard-to-find components to meet their specific needs.

With the principle of "Quality Parts,Customers Priority,Honest Operation,and Considerate Service",our business mainly focus on the distribution of electronic components. Line cards we deal with include Microchip,ALPS,ROHM,Xilinx,Pulse,ON,Everlight and Freescale. Main products comprise IC,Modules,Potentiometer,IC Socket,Relay,Connector.Our parts cover such applications as commercial,industrial, and automotives areas.

We are looking forward to setting up business relationship with you and hope to provide you with the best service and solution. Let us make a better world for our industry!



Contact us

Tel: +86-755-8981 8866 Fax: +86-755-8427 6832

Email & Skype: info@chipsmall.com Web: www.chipsmall.com

Address: A1208, Overseas Decoration Building, #122 Zhenhua RD., Futian, Shenzhen, China



MODEL:

TLP310DMUSB

Protect It!® Desktop Grommet Surge Protector with USB Charging



Stores Flush to Desktop



900 Joule Rating



3 Outlets



2 USB Charging Ports



Certified to UL 962A



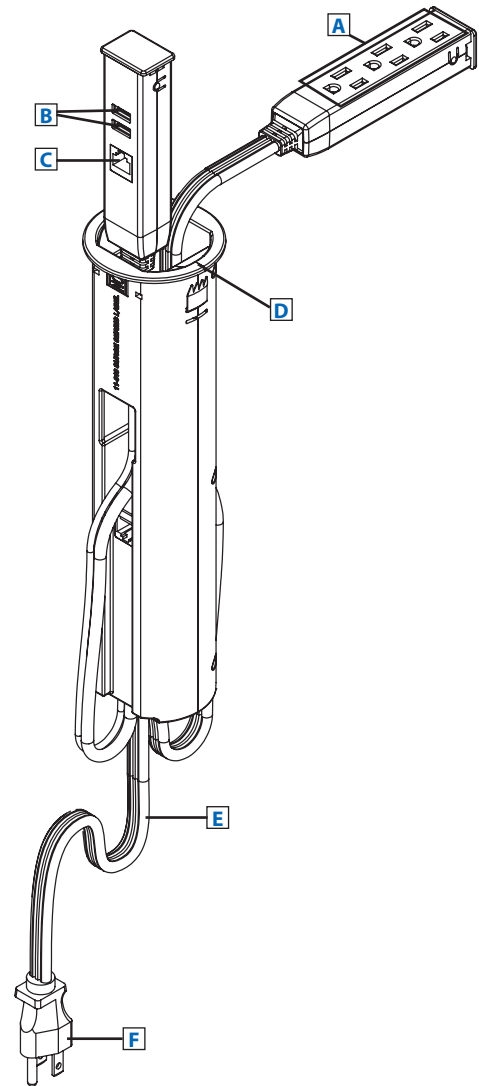
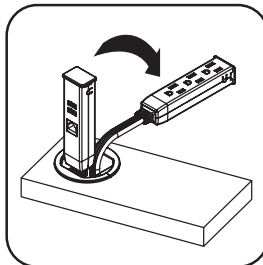
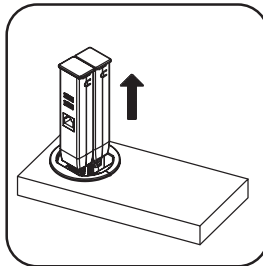
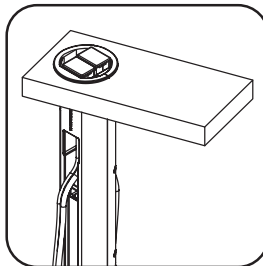
\$20K Ultimate Lifetime Insurance



Lifetime Warranty

- A** NEMA 5-15R Surge Protected Outlets (3) (900 Joule Rating)
- B** USB Charging Ports (2) (Up to 2.4A total)
- C** Surge Protected RJ45 Port
- D** 2 1/2" Grommet with Pull Out Surge Protector and USB Charging Units (Certified to UL 962A and may be permanently mounted.)
- E** 10 ft. Input Power Cord
- F** NEMA 5-15P Input Plug

Also Includes: Owner's manual and 2 mounting clips.



- Certified to UL 962A and may be permanently mounted
- Pushes down flush with desktop surface when not in use
- Desktop grommet fits 2 1/2" (64 mm) holes

SEE NEXT PAGE FOR DETAILED UNIT MEASUREMENTS

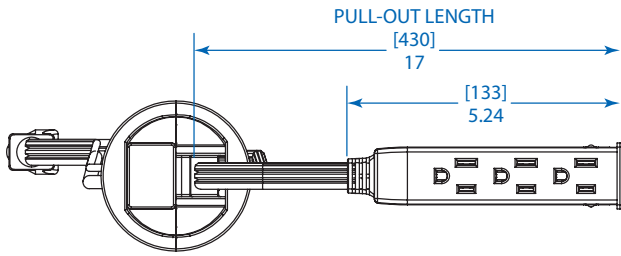


1111 W. 35th Street
Chicago, IL 60609 USA
773.869.1234
www.tripplite.com

Specifications

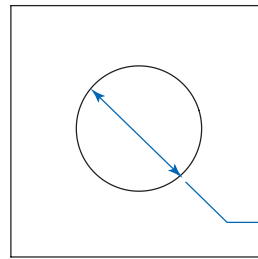
Model	TLP310DMUSB
Input Voltage	120V AC, 60 Hz
Outlets	(3) 5-15R
Plug Type/Cord Length	5-15P / 6 ft. (1.8 m)
Charging Ports	2 USB ports (2.4A total)
Max Output Watts	1800W
Output Amperage	15A
Surge Protection Rating	900 Joules
Protection Modes	Includes full normal mode (H-N) and common mode (N-G / H-G)
Unit Dimensions [H x W x D]	11.02 x 2.86 x 2.47 in. (280 x 72.7 x 62.7 mm)
Shipping Dimensions [H x W x D]	3.07 x 13.99 x 4.89 in. (78 x 355 x 124 mm)
Unit Weight	2.21 lb. (1 kg)
Shipping Weight	2.38 lb. (1.07 kg)
Standards	Certified to UL 1449 & UL 962A; conforms to IEEE 587/ANSI C62.41; meets NOM & RoHS Standards



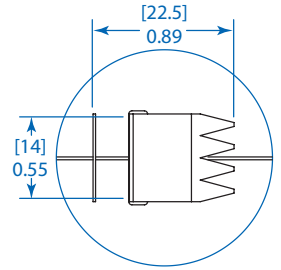


TOP VIEW

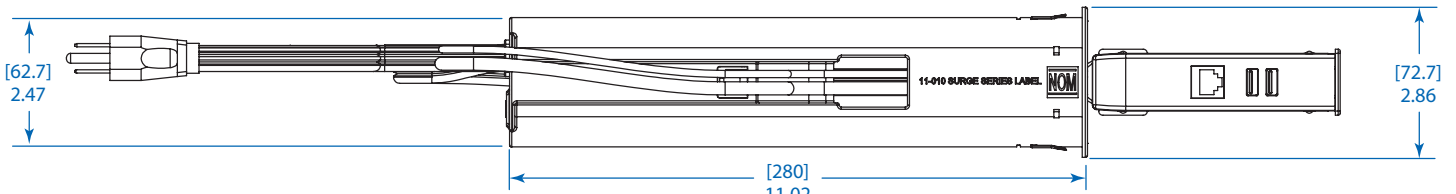
MIN. TABLE THICKNESS: [19.05]
0.75



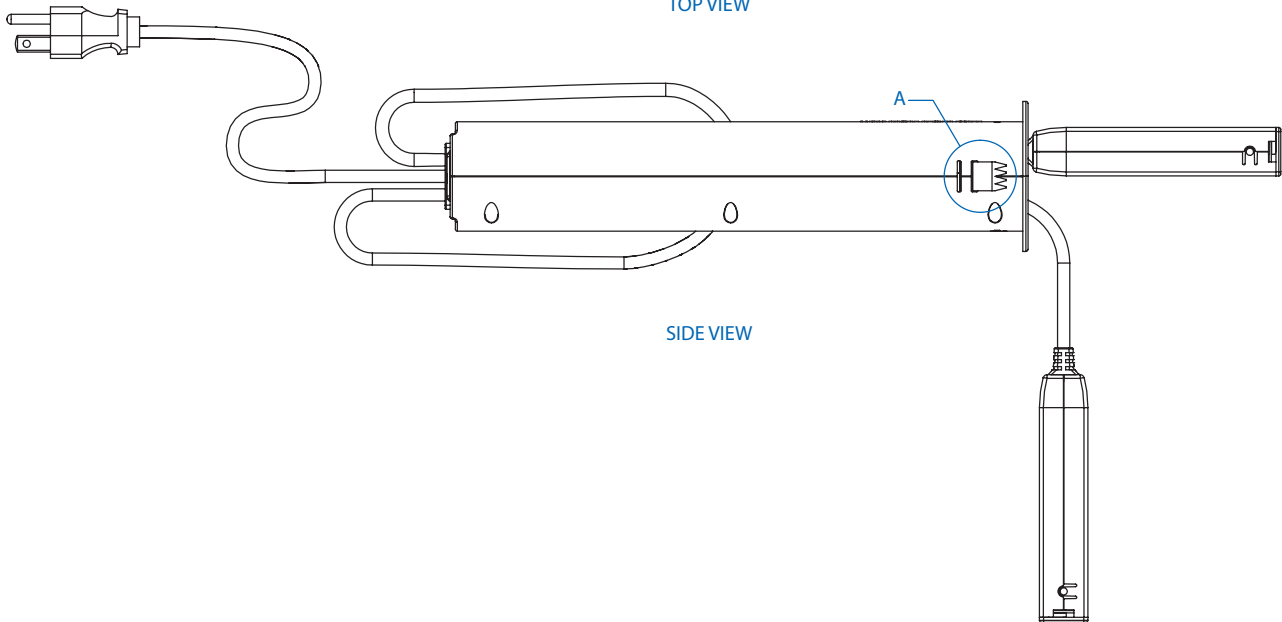
CUT OUT DIAMETER



DETAIL A



TOP VIEW



SIDE VIEW

MODEL:
TLP310DMUSB



1111 W. 35th Street
Chicago, IL 60609 USA
773.869.1234

www.tripplite.com

Dimensions: [mm] INCHES

Tripp Lite has a policy of continuous improvement. Specifications are subject to change without notice.