



Chipsmall Limited consists of a professional team with an average of over 10 year of expertise in the distribution of electronic components. Based in Hongkong, we have already established firm and mutual-benefit business relationships with customers from,Europe,America and south Asia,supplying obsolete and hard-to-find components to meet their specific needs.

With the principle of “Quality Parts,Customers Priority,Honest Operation,and Considerate Service”,our business mainly focus on the distribution of electronic components. Line cards we deal with include Microchip,ALPS,ROHM,Xilinx,Pulse,ON,Everlight and Freescale. Main products comprise IC,Modules,Potentiometer,IC Socket,Relay,Connector.Our parts cover such applications as commercial,industrial, and automotives areas.

We are looking forward to setting up business relationship with you and hope to provide you with the best service and solution. Let us make a better world for our industry!



Contact us

Tel: +86-755-8981 8866 Fax: +86-755-8427 6832

Email & Skype: info@chipsmall.com Web: www.chipsmall.com

Address: A1208, Overseas Decoration Building, #122 Zhenhua RD., Futian, Shenzhen, China



SPECIFICATION

Part No. : **TLS.20.105111**

Description : Shockwave 450-470MHz
Permanent Mount External Antenna
1M CFD-200 SMA(M) connector

Features : CDMA 450-470MHz with at least 45% efficiency
Mechanically robust for indoor/outdoor applications
Height: 79.45mm(3.13") ; Diameter : 42mm(1.65")
IP67 and IP69K Waterproof
1 meter of low loss CFD-200 cable
SMA(M) connector
RoHS compliant



1. Introduction

The Shockwave TLS.20.105111 is a mechanically robust, waterproof, external antenna operating at 450-470MHz with 1 meter of low loss CFD-200 and SMA(M) connector. It has been designed to be used on a Ground Plane. Common applications are, for instance :

- Public safety
- Smart meters
- Mesh networks
- Transportation

The antenna has greater than 45% efficiency and -0.71 dBi peak gain at CDMA 450-470MHz on a 30x30 cm ground plane. Stable radiation patterns over low angles provides consistent gain in the horizontal plane, meaning that it is especially suitable for mesh networks or hot spots.

A unique indent tab on the base of the antenna allows a wrench to be used to solidly lock the antenna on top of its mounting location while tightening up the nut beneath the metal panel. Waterproof O-rings around the bottom base prevent water from leaking under the antenna.

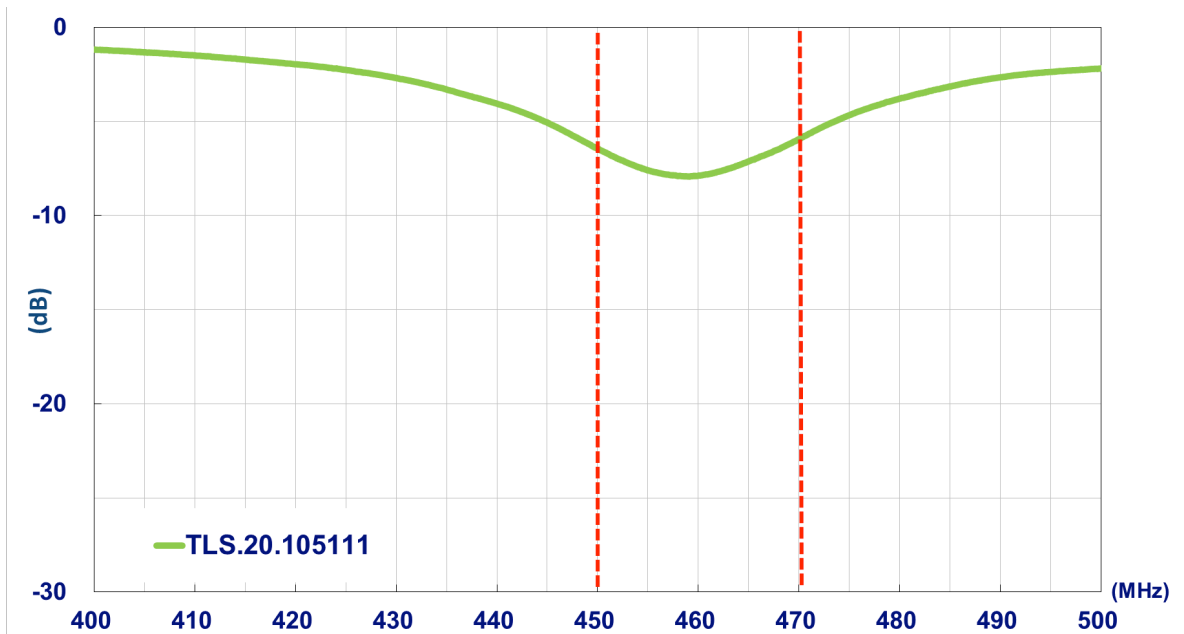
The TLS.20 antenna is IP67 waterproof and IP69K resistant against high pressure water jets in commercial cleaning environments, which makes the antenna ideal for 450-470MHz applications in harsh outdoor environments.

2. Specification

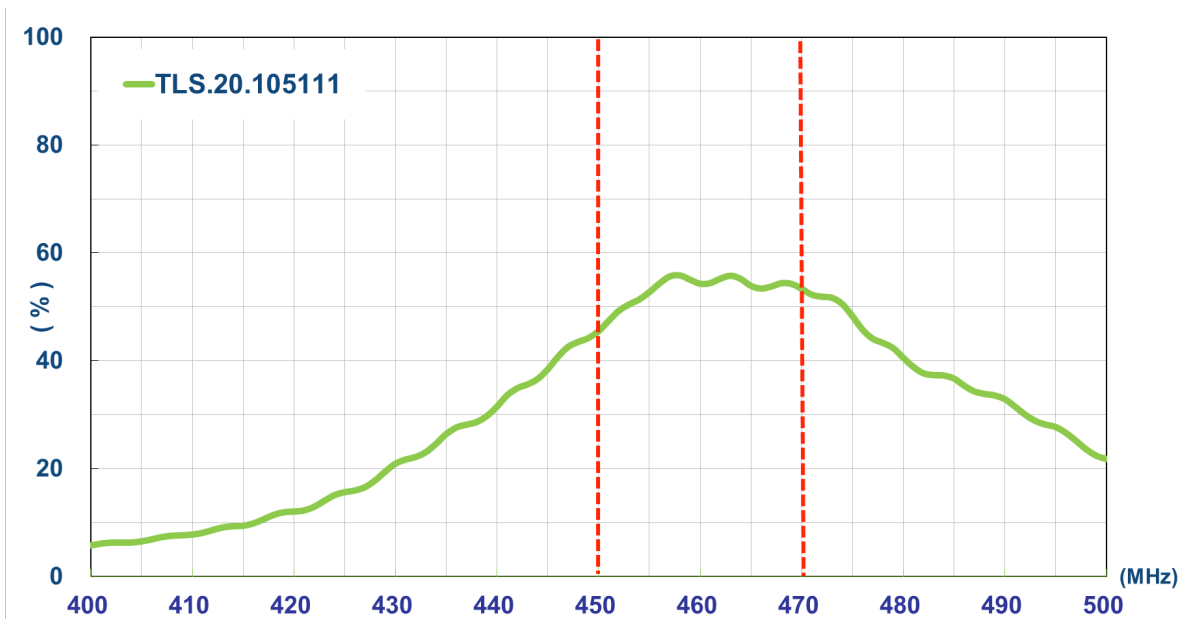
ELECTRICAL			
Operation Band	CDMA450		
Operation Frequency(MHz)	450	460	470
	On 30 x 30 cm ground plane		
Efficiency (%)	45.50	54.28	53.34
Peak Gain (dBi)	-1.33	-0.71	-0.79
Average Gain (dBi)	-3.23	-2.65	-2.72
Return Loss (dB)	< -5		
Impedance	50 Ω		
Polarization	Vertical		
Radiation Property	Omni-Directional		
Max Input Power	100 W		
MECHANICAL			
Dimension (mm)	Height: 79.45mm(3.13") ; Diameter : 42mm(1.65")		
Cable	1 meter CFD-200		
Connector	SMA(M)		
Material	Housing : UV Resistant ABS , Base : Nickel Plated Zinc Alloy		
Weight (g)	205		
Rec. Torque for Mounting	4.018 N.m		
Max. Torque for Mounting	9.8 N.m		
ENVIRONMENTAL			
Waterproof Rating	IP67 and IP69K		
Operation Temperature	-40°C to 85°C		
Humidity	Non-condensing 65°C 95% RH		

3. Antenna Characteristics

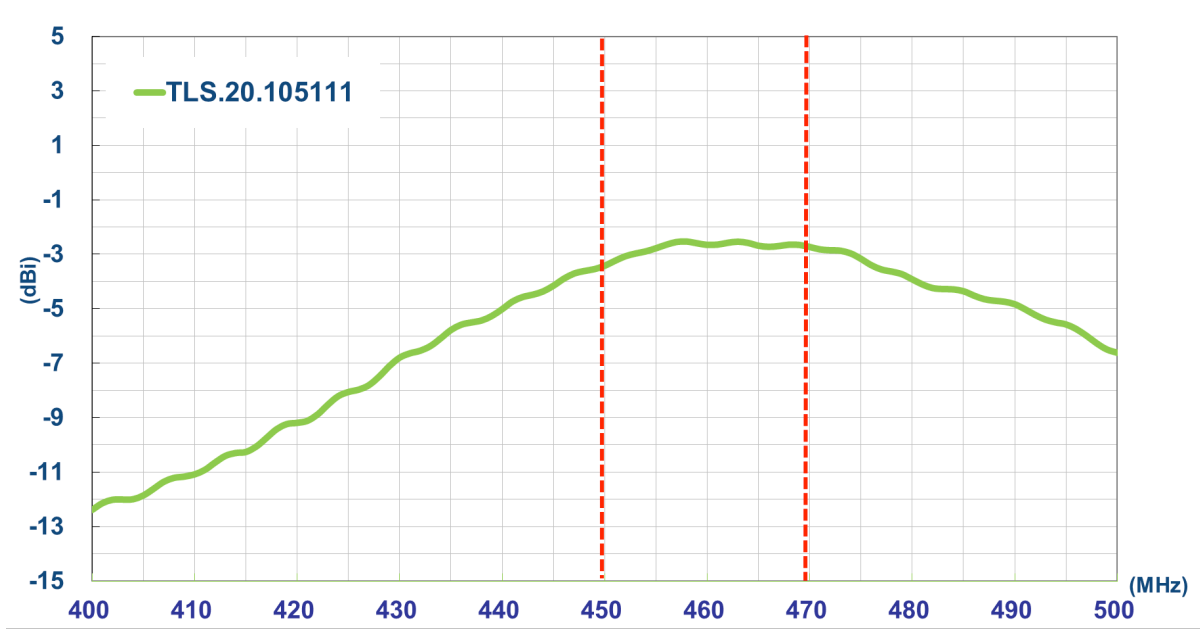
3.1. Return Loss



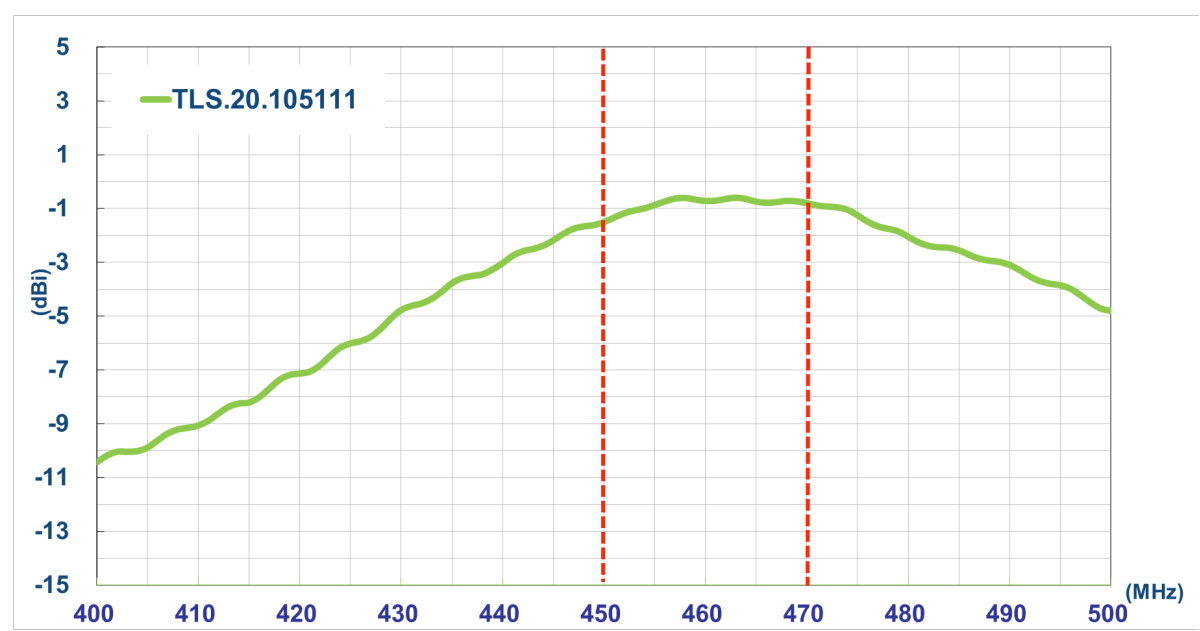
3.2. Efficiency



3.3. Average Gain



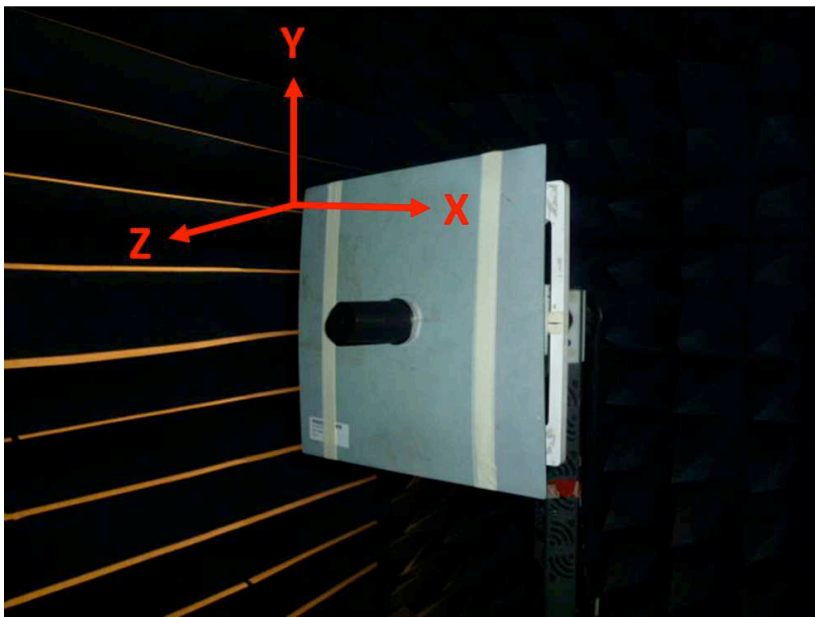
3.4. Peak Gain



4. Antenna Radiation Pattern

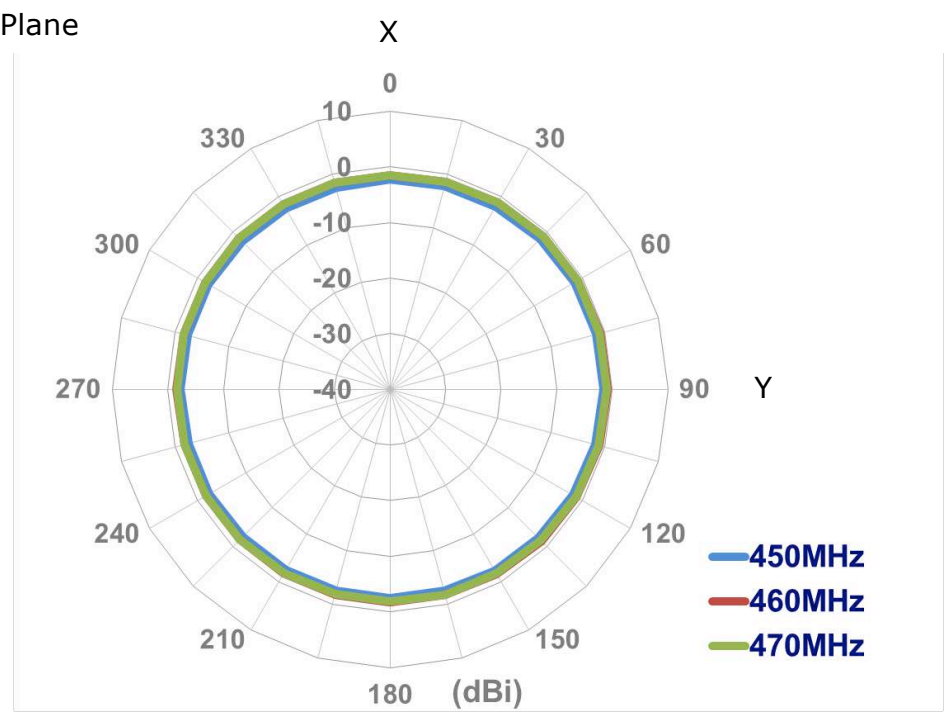
4.1. Measurement Setup

The TLS.20 antenna is tested in a CTIA certified ETS-Lindgren Anechoic Chamber. The test setup is shown below.

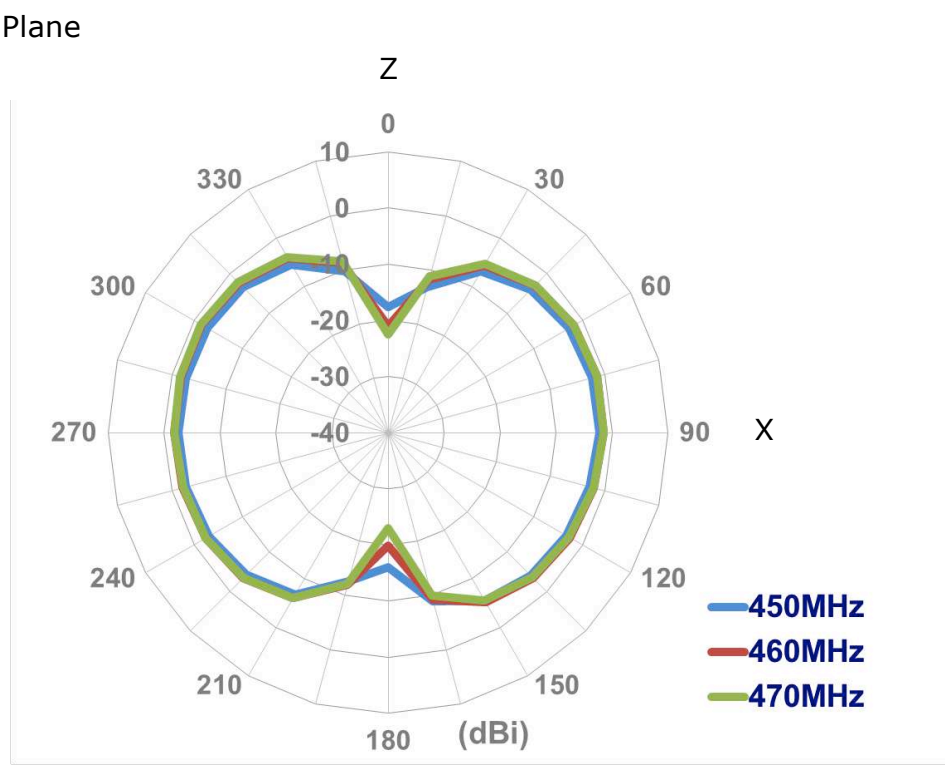


4.2. 2D Radiation Pattern

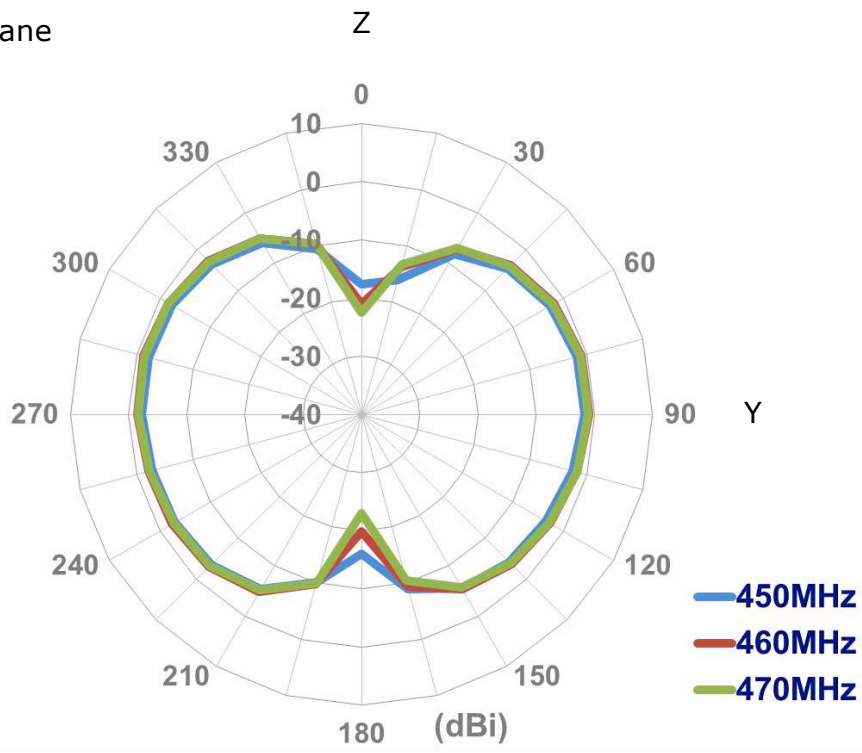
XY Plane



XZ Plane

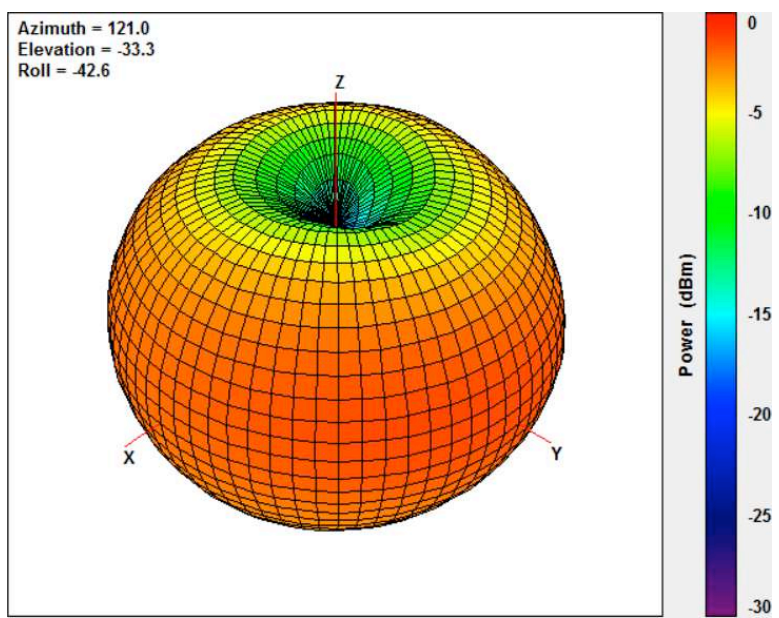


YZ Plane

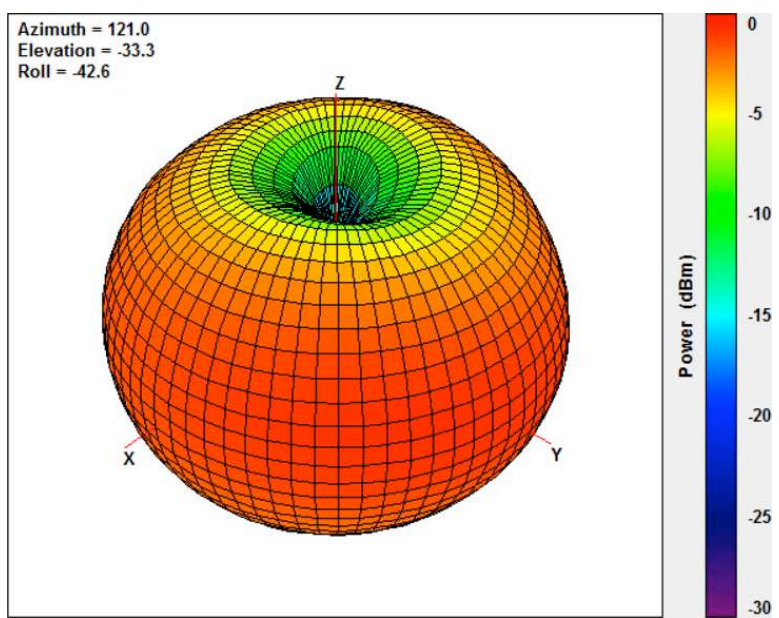


4.3. 3D Radiation Pattern

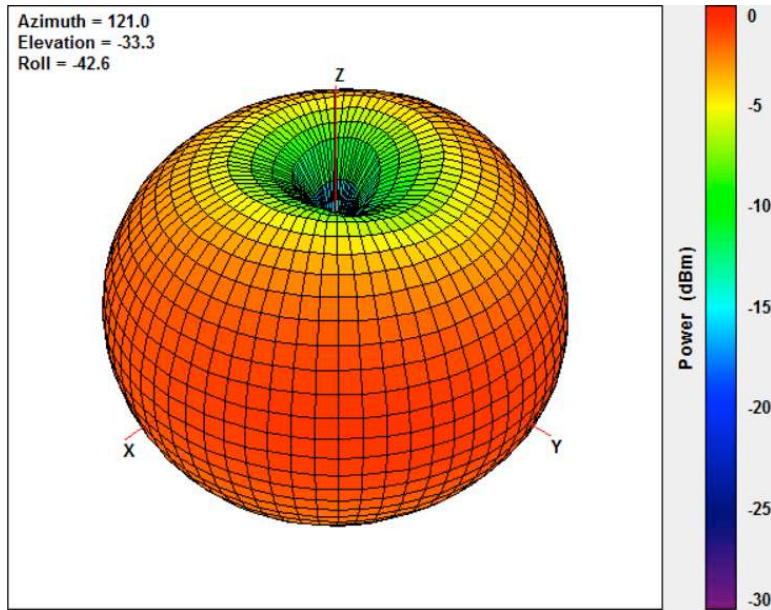
@450MHz



@460MHz

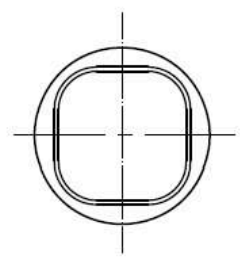


@470MHz

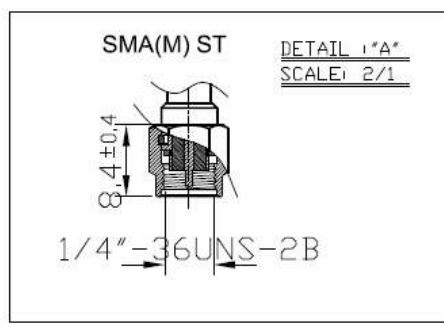
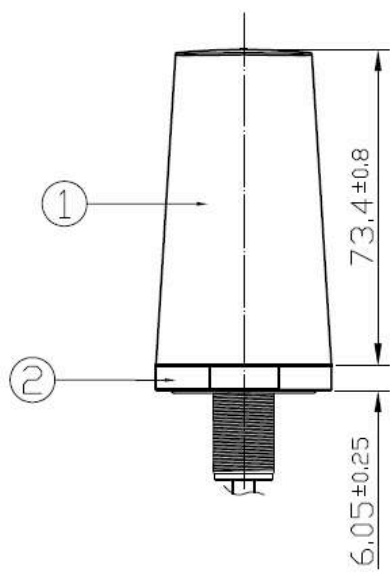
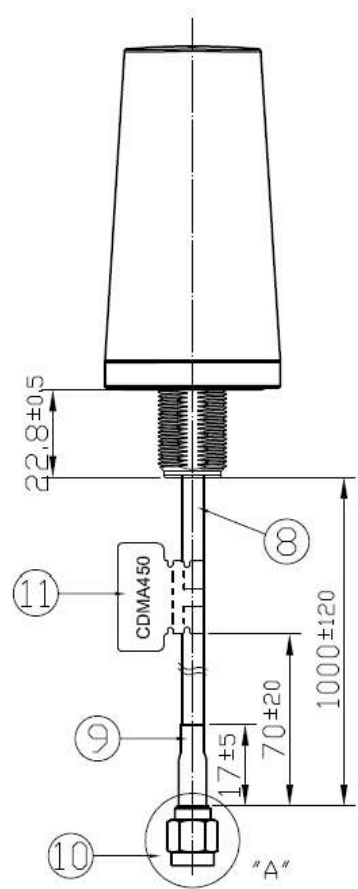


5. Mechanical Drawing

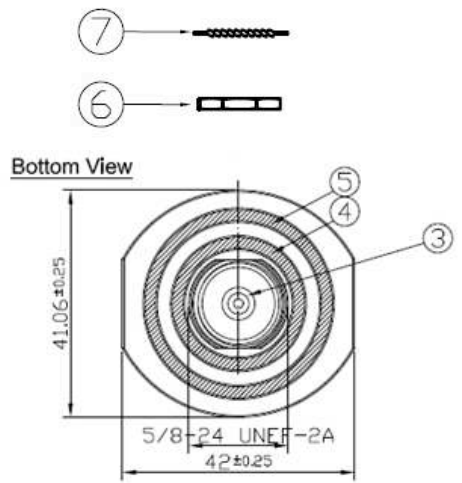
Top View



Side View

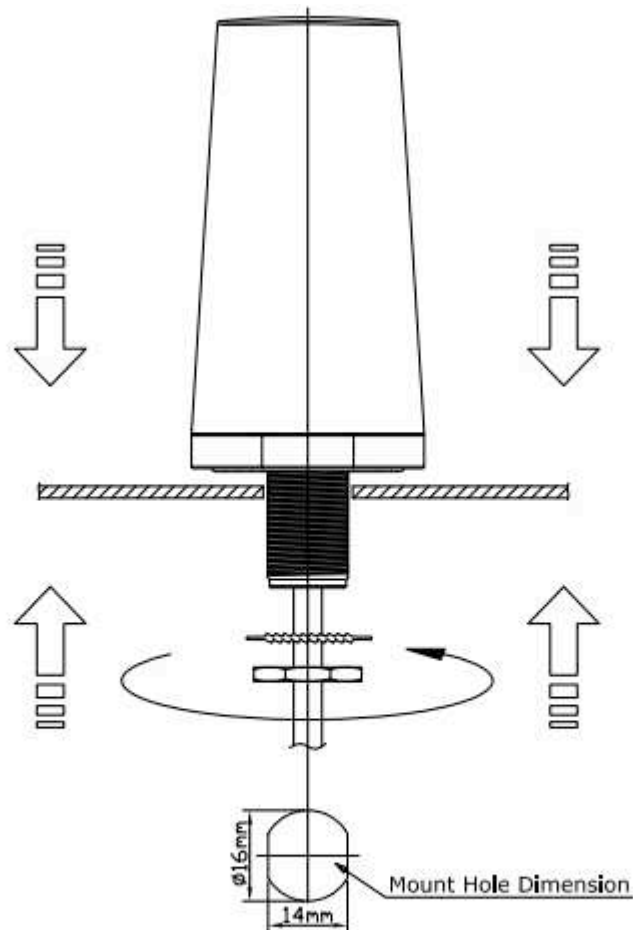


Unit : mm



	Name	Material	Finish	QTY
1	Antenna Top	ABS	Black	1
2	Antenna Bottom	Zinc Alloy	Ni Plated	1
3	TLS Thread	Brass	Ni Plated	1
4	O Ring 1	NBR	Black	1
5	O Ring 2	NBR	Black	1
6	Nut	Brass	Ni Plated	1
7	Washer	Brass	Ni Plated	1
8	CFD200 Coaxial Cable	PVC	Black	1
9	Heat Shrink Tube	PE	Black	1
10	SMA(M)ST	Brass	Gold Plated	1
11	CDMA450 Label	Coated Paper	Deepplnk	1

6. Installation



Recommended torque for mounting is 4.018 N.m or 41 kgf.cm

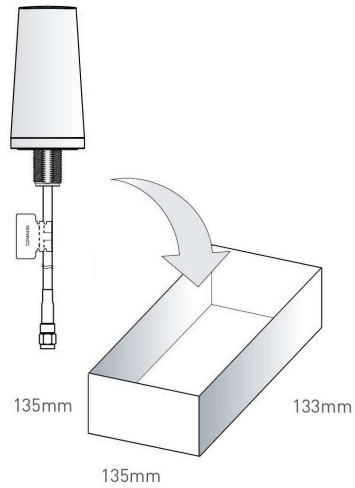
Maximum torque for mounting is 9.8 N.m or 100 kgf.cm

7. Packaging

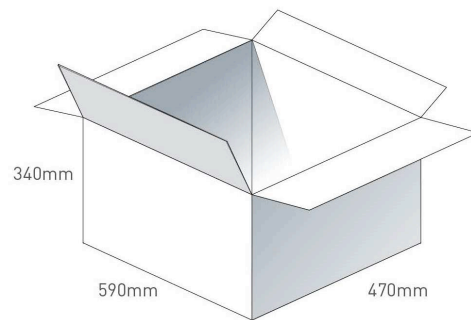
TLS.20.105111

Packaging Specifications

1 No. TLS.20.105111 per small box
 Box Dimensions - 135 x 135 x 133mm
 Weight - 280g



1 Outer Carton
 Carton Dimensions - 590 x 470 x 340mm
 24 pcs TLS.20.105111 per carton
 Weight - 8.5Kg



Pallet Dimensions 1100*1100*1250mm
 16 Cartons per Pallet
 4 Cartons per layer
 4 Layers

