



Chipsmall Limited consists of a professional team with an average of over 10 year of expertise in the distribution of electronic components. Based in Hongkong, we have already established firm and mutual-benefit business relationships with customers from,Europe,America and south Asia,supplying obsolete and hard-to-find components to meet their specific needs.

With the principle of "Quality Parts,Customers Priority,Honest Operation,and Considerate Service",our business mainly focus on the distribution of electronic components. Line cards we deal with include Microchip,ALPS,ROHM,Xilinx,Pulse,ON,Everlight and Freescale. Main products comprise IC,Modules,Potentiometer,IC Socket,Relay,Connector.Our parts cover such applications as commercial,industrial, and automotives areas.

We are looking forward to setting up business relationship with you and hope to provide you with the best service and solution. Let us make a better world for our industry!



Contact us

Tel: +86-755-8981 8866 Fax: +86-755-8427 6832

Email & Skype: info@chipsmall.com Web: www.chipsmall.com

Address: A1208, Overseas Decoration Building, #122 Zhenhua RD., Futian, Shenzhen, China



DIMENSIONS ARE IN INCHES		UNLESS OTHERWISE NOTED	TOLERANCES ARE:	TITLE:	DWG NO:
ONE PLACE DECIMALS ±.1	THREE PLACE DECIMALS ± .005		ANGLES ± 2°	LOW PROFILE TERMINAL ASSEMBLY	TLW-1XX-XX-XXX-X-XX-XXX
TWO PLACE DECIMALS ±.01	FOUR PLACE DECIMALS ± .0020				SHEET 1 OF 3

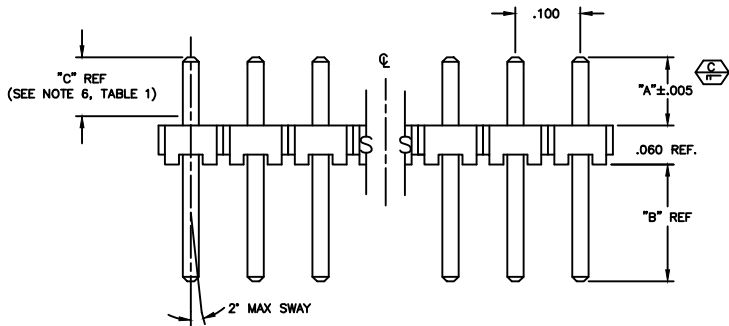
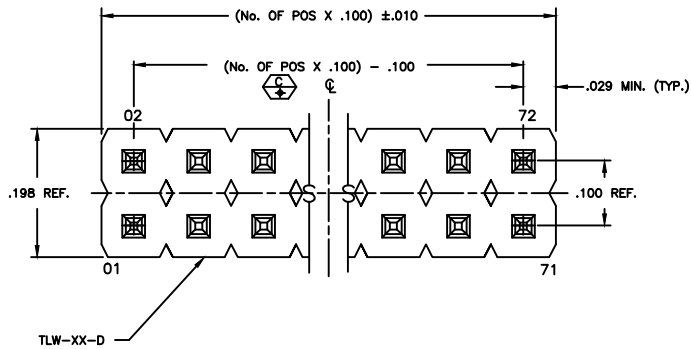
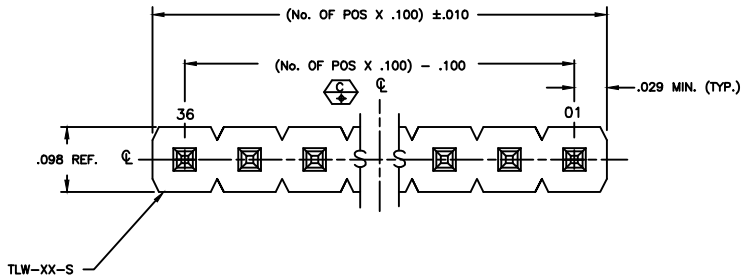


FIG. 1
(THROUGH HOLE)

NOTES:

- 1.) MAX ALLOWABLE BOW AFTER ASSEMBLY: .005 IN/IN.
- 2.) TERMINAL PUSHOUT FORCE: 2 lbs. MIN.
- 3.) MAX PIN ROTATION IN BODY: 2°.
- 4.) Ⓞ REPRESENTS A CRITICAL DIMENSION.
- 5.) MAX CUT FLASH: .010.
- 6.) GOLD CONTACT AREA LOCATION FOR G, H, S, L, F, SM, LM, FM, & STL PLATINGS.
- 7.) ORIENTATE PINS TO PREVENT BANDOLIER MARKS FROM SHOWING IN THE POST AREA. (SEE TABLE 2)

PROPRIETARY NOTE
THIS DOCUMENT CONTAINS INFORMATION CONFIDENTIAL AND PROPRIETARY TO SAMTEC INC. AND SHALL NOT BE REPRODUCED OR TRANSFERRED TO OTHERS OR USED FOR ANY PURPOSE OTHER THAN THAT FOR WHICH IT WAS OBTAINED WITHOUT THE EXPRESSED WRITTEN CONSENT OF SAMTEC INC.

TLW-1XX-XX-XXX-X-XX-XXX

No. OF POSITIONS
-01 THRU -40 (SINGLE)
-01 THRU -36 (DOUBLE)

LEAD STYLE
-01: (RA) SEE FIG. 2
-05: (TH) SEE TABLE 1
-06: (TH) SEE TABLE 1

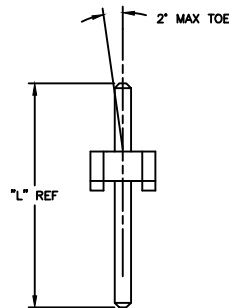
POLARIZING SPECIFICATION
XXX INDICATES POS. TO BE OMITTED (IDENTIFY POSITION WITH FEET DOWN)

OPTIONS
-BLANK: THROUGH HOLE (SEE FIG 1)
-RA: RIGHT ANGLE (LEAD STYLE -01 ONLY) (SEE FIG 2)
-LL: TH WITH LOCKING LEADS (SEE FIG 4)
-LA: RA WITH LOCKING LEADS (SEE FIG 3)

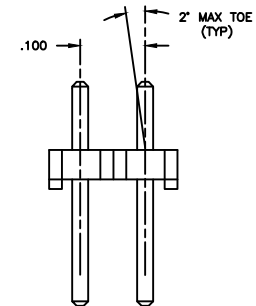
PLATING SPECIFICATION
-G: GOLD (SPECIFY -G IN TERMINAL SUFFIX -XXX)
-T: TIN (SPECIFY -T IN TERMINAL SUFFIX -XXX)
-H: HEAVY GOLD (SPECIFY -H IN TERMINAL SUFFIX -XXX)
-S: SELECTIVE (SPECIFY -S IN TERMINAL SUFFIX -XXX)
-F: FLASH SELECTIVE (SPECIFY -F IN TERMINAL SUFFIX -XXX)
-L: LIGHT SELECTIVE (SPECIFY -L IN TERMINAL SUFFIX -XXX)
-TM: MATTE TIN (SPECIFY -T IN TERMINAL SUFFIX -XXX)
-SM: SELECTIVE HEAVY GOLD, MATTE TIN TAIL (SPECIFY -S IN TERMINAL SUFFIX -XXX)
-FM: FLASH SELECTIVE GOLD, MATTE TIN TAIL (SPECIFY -F IN TERMINAL SUFFIX -XXX)
-LM: LIGHT SELECTIVE GOLD, MATTE TIN TAIL (SPECIFY -L IN TERMINAL SUFFIX -XXX)
-STL: SELECTIVE GOLD, TIN/LEAD TAIL (SPECIFY -STL IN TERMINAL SUFFIX -XXX) (AVAILABLE IN STRAIGHT THROUGH HOLE VERSION ONLY)

ROW SPECIFICATION
-S: SINGLE ROW (USE TLW-XX-S)
-D: DOUBLE ROW (USE TLW-XX-D)

LEAD	TERMINAL 1	TERMINAL 2	"L"	"A"	"B"	"C"
-05	T-1S6-21-XXX-2	N/A	.335	.105	.170	.050
-06	T-1S6-18-XXX-2	N/A	.300	.105	.135	.050
-01-S	T-1S6-22-XXX-2	N/A	.495	.230	N/A	.165
-01-D	T-1S6-22-XXX-2	-----	.495	.230	N/A	.165
-01-D	-----	T-1S6-23-XXX-2	.695	.230	N/A	.165



-S: SINGLE



-D: DOUBLE

MATERIAL:
INSULATOR:
LIQUID CRYSTAL POLYMER
COLOR: BLACK

TERMINALS:
PHOSPHOR BRONZE

samtec

EXISPROD/ASSEMBLY/100
TLWASM

520 PARK EAST BLVD. NEW ALBANY, INDIANA 47150
PHONE (812) 944-6733 P.O. BOX 1147
CODE 55322

MADE BY:
M PUFFER 8-18-97

TLW-1XX-XX-XXX-X-XX-XXX
SHEET 1 OF 3