



Chipsmall Limited consists of a professional team with an average of over 10 year of expertise in the distribution of electronic components. Based in Hongkong, we have already established firm and mutual-benefit business relationships with customers from,Europe,America and south Asia,supplying obsolete and hard-to-find components to meet their specific needs.

With the principle of “Quality Parts,Customers Priority,Honest Operation,and Considerate Service”,our business mainly focus on the distribution of electronic components. Line cards we deal with include Microchip,ALPS,ROHM,Xilinx,Pulse,ON,Everlight and Freescale. Main products comprise IC,Modules,Potentiometer,IC Socket,Relay,Connector.Our parts cover such applications as commercial,industrial, and automotives areas.

We are looking forward to setting up business relationship with you and hope to provide you with the best service and solution. Let us make a better world for our industry!



Contact us

Tel: +86-755-8981 8866 Fax: +86-755-8427 6832

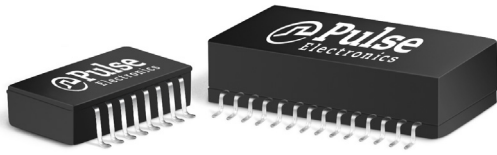
Email & Skype: info@chipsmall.com Web: www.chipsmall.com

Address: A1208, Overseas Decoration Building, #122 Zhenhua RD., Futian, Shenzhen, China



IEEE 1394B Firewire 1.062Gb Transceiver Line Interface Module

Copperhead Series



- Small package incorporating active transmit and passive receive circuits with integrated isolation transformers
- Low power dissipation
- Low transmit/receive jitter
- Recommended for distances up to 20 meters
- AS9100 Certified (Based on, including ISO 9001:2000)
- IC grade transfer-molded package withstands 225 degree C peak temperature profile.
- Made in the USA

TRANSMITTER — Electrical Specifications @ 25°C — Operating Temperature -55°C to +125°C

Part Number	Input Data Voltage - V _{IL} (V)			Input Data Voltage - V _{IH} (V)			Input Voltage Differential - V _{IN} (mV)			Input Current - I _{IL} (μA)		Input Current - I _{IH} (μA)		Differential Signal Level - V _{OUT} (mV)		
	MIN	TYP	MAX	MIN	TYP	MAX	MIN	TYP	MAX	MAX	MAX	MIN	TYP	MAX		
TM1062TXDUA	1.35	1.63	1.88	2.07	2.33	2.58	150	800	1200	40	150	1200	1300	1500		
TM1062TXHUA	1.35	1.63	1.88	2.07	2.33	2.58	150	800	1200	500	750	1200	1300	1500		
TM1062TX3DUA	1.35	1.63	1.88	2.07	2.33	2.58	150	800	1200	500	750	1200	1300	1500		

TRANSMITTER — Additional Electrical Specifications @ 25°C — Operating Temperature -55°C to +125°C

Part Number	Power Dissipation (mW)	θ _{ja} (°C/W)		Input Voltage (V _{CC} ±10%)	Data Rate - D _R (Mb/s)		Total P-P Transmit Jitter (pS)		Output Rise-Fall Time (20-80%) (pS)		Return Loss (dB)
	TYP	@85°C	@125°C	TYP	MIN	MAX	TYP	MAX	TYP	MAX	MIN
TM1062TXDUA	232	41	39	3.3V	246	1062	62	94	275	400	-12
TM1062TXHUA	232	41	39	3.3V	246	1062	62	94	275	400	-12
TM1062TX3DUA	700	34	30	3.3V	246	1062	62	94	275	400	-12

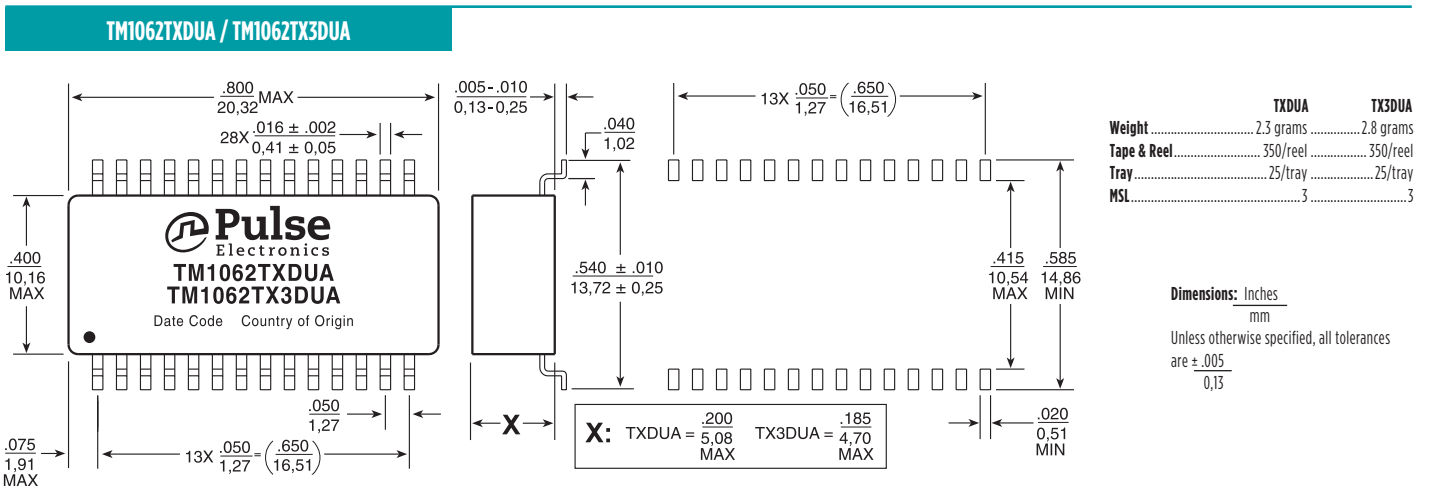
TRANSFORMER COUPLED RECEIVER — Electrical Specifications @ 25°C — Operating Temp. -55°C to +125°C

Part Number	Turns Ratio	Primary Inductance - L _H (μH)	Rise Time (20%-80%) (pS)	Data Rate - D _R (Mb/s)		Winding Resistance - DCR (Ω)	Insertion Loss (dB)	Return Loss (dB)
	TYP	MIN	MAX	MIN	MAX	MAX		
TM1062TXDUA	1:1	4.5	300	246	1062	0.2	-2 MAX	-12 MIN
TM1062TXHUA	1:1	4.5	300	246	1062	0.2	-2 MAX	-12 MIN
TM1062TX3DUA	1:1	4.5	300	246	1062	0.2	-2 MAX	-12 MIN

* At 1062 Mb/s data rate

Note: Add suffix "T" to part number for Tape and Reel package

Mechanical

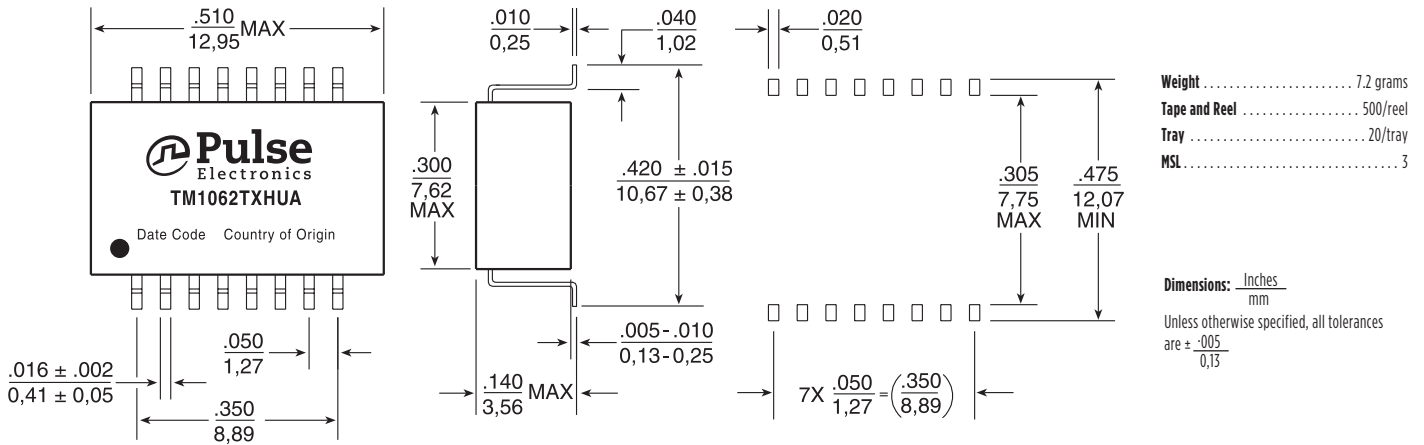


IEEE 1394B Firewire 1.062Gb Transceiver Line Interface Module

Copperhead Series

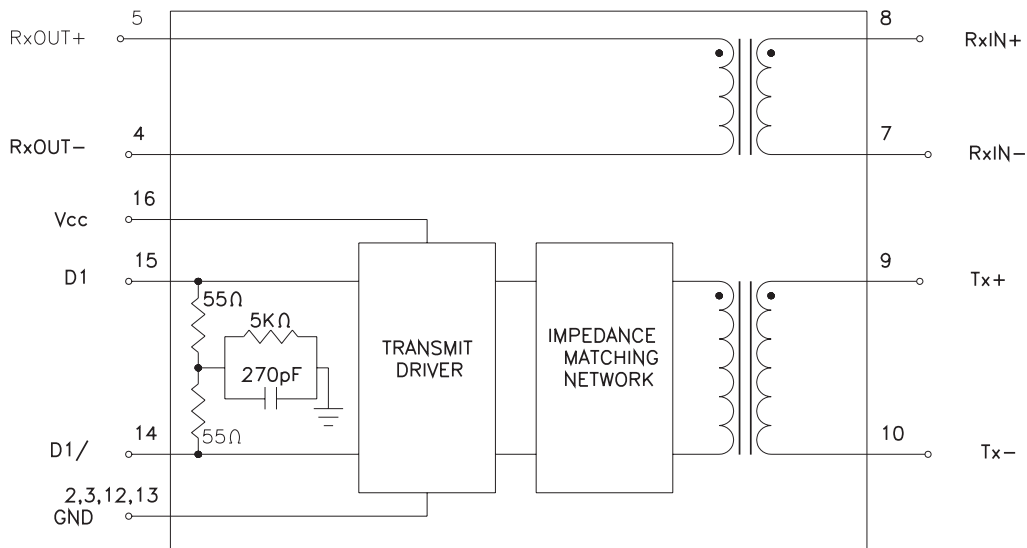
Mechanical

TM1062TXHUA



Schematic

TM1062TXHUA

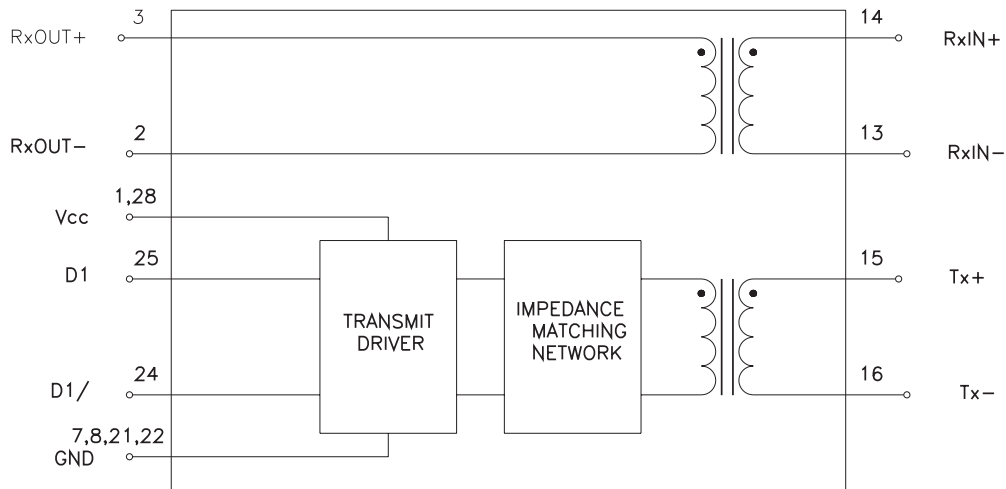


IEEE 1394B Firewire 1.062Gb Transceiver Line Interface Module

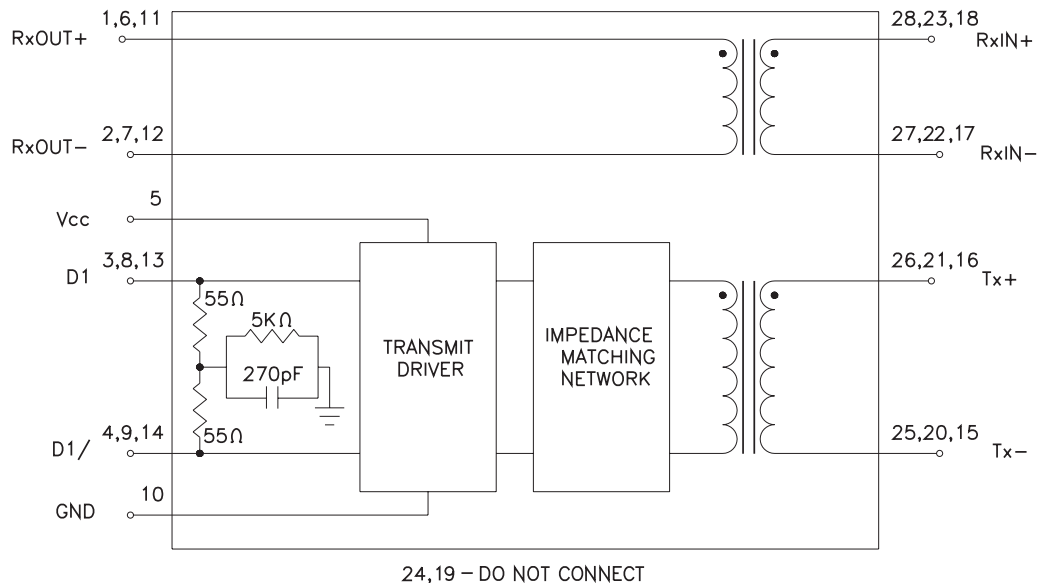
Copperhead Series

Schematics

TM1062TXDUA



TM1062TX3DUA



For More Information

Pulse North America Headquarters
Two Pearl Buck Court
Bristol, PA 19007
U.S.A.

Tel: 215 781 6400
Fax: 215 781 6403

Pulse Europe
Einsteinstrasse 1
D-71083 Herrenberg
Germany

Tel: 49 7032 7806 0
Fax: 49 7032 7806 135

Pulse China Headquarters
B402, Shenzhen Academy of
Aerospace Technology Bldg.
10th Kejinan Road
High-Tech Zone
Nanshan District
Shenzhen, PR China 518057
Tel: 86 755 33966678
Fax: 86 755 33966700

Pulse North China
Room 2704/2705
Super Ocean Finance Ctr.
2067 Yan An Road West
Shanghai 200336
China

Tel: 86 21 62787060
Fax: 86 21 62786973

Pulse South Asia
135 Joo Seng Road
#03-02
PM Industrial Bldg.
Singapore 368363

Tel: 65 6287 8998
Fax: 65 6287 8998

Pulse North Asia
3F, No. 198
Zhongyuan Road
Zhongli City
Taoyuan County 320
Taiwan R. O. C.
Tel: 886 3 4356768
Fax: 886 3 4356823 (Pulse)
Fax: 886 3 4356820 (FRE)

Performance warranty of products offered on this data sheet is limited to the parameters specified. Data is subject to change without notice. Other brand and product names mentioned herein may be trademarks or registered trademarks of their respective owners. © Copyright, 2012. Pulse Electronics, Inc. All rights reserved.