



Chipsmall Limited consists of a professional team with an average of over 10 year of expertise in the distribution of electronic components. Based in Hongkong, we have already established firm and mutual-benefit business relationships with customers from,Europe,America and south Asia,supplying obsolete and hard-to-find components to meet their specific needs.

With the principle of “Quality Parts,Customers Priority,Honest Operation,and Considerate Service”,our business mainly focus on the distribution of electronic components. Line cards we deal with include Microchip,ALPS,ROHM,Xilinx,Pulse,ON,Everlight and Freescale. Main products comprise IC,Modules,Potentiometer,IC Socket,Relay,Connector.Our parts cover such applications as commercial,industrial, and automotives areas.

We are looking forward to setting up business relationship with you and hope to provide you with the best service and solution. Let us make a better world for our industry!



## Contact us

Tel: +86-755-8981 8866 Fax: +86-755-8427 6832

Email & Skype: info@chipsmall.com Web: www.chipsmall.com

Address: A1208, Overseas Decoration Building, #122 Zhenhua RD., Futian, Shenzhen, China



# MODULAR CONNECTORS

CL 222 TM

## Six-conductor plug with straight cover

### • Material • Finish

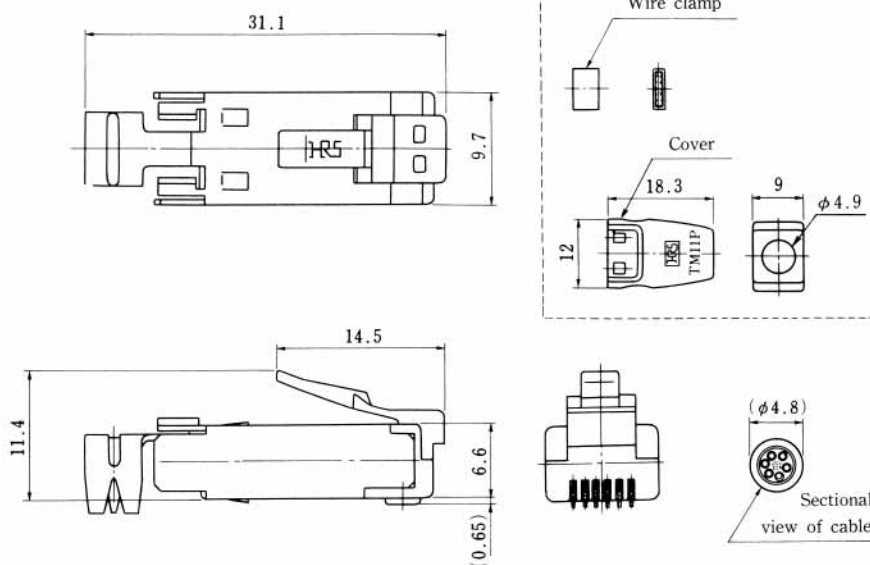
Part name	Material	Finish
Plug case	Polycarbonate	Clear
Terminal	Phosphor Bronze	Gold plated
Cover	Polycarbonate	Beige

Applicable Cable	
Conductor diameter	Copper foil or AWG#26
Insulator diameter	φ0.9~φ1.0

### • Electrical Performance

Item	Condition	Specification
Current rating	Per pin	0.5A
Voltage rating	Per pin	125V AC
Insulation Resistance	100V DC	100 MΩ Min.
Withstanding Voltage	1 minute	500V r.m.s AC

### • TM11P-66P( \* \* )



CL No.	Part No.	Cover Color	RoHS
222-2149-9-50	TM11P-66P( 50 )	Beige	YES
222-2149-9-53	TM11P-66P( 53 )	Black	

( Number of plugs in package : 100 )

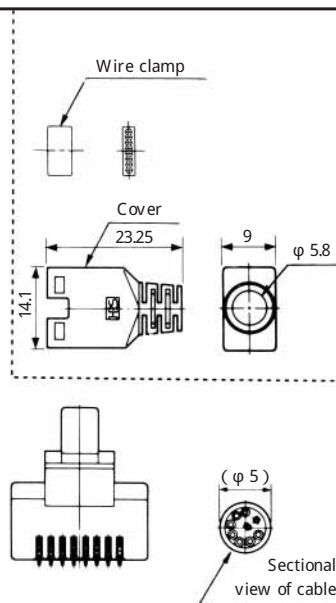
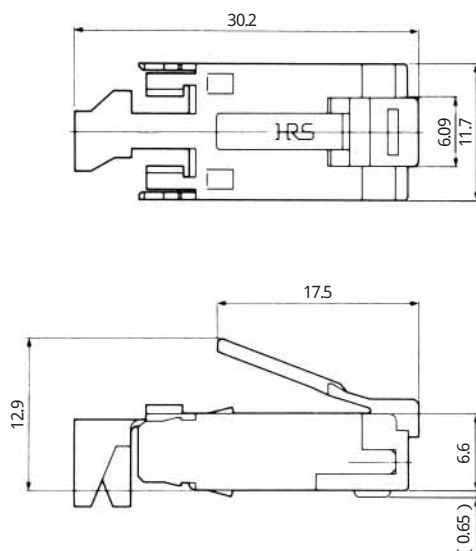
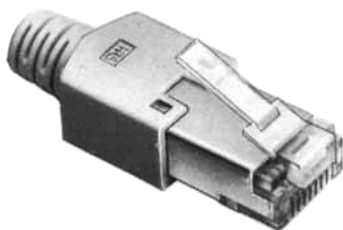


# MODULAR CONNECTORS

CL 222 TM

## Eight-conductor plug with straight cover

- TM11AP-88P( \*\* )



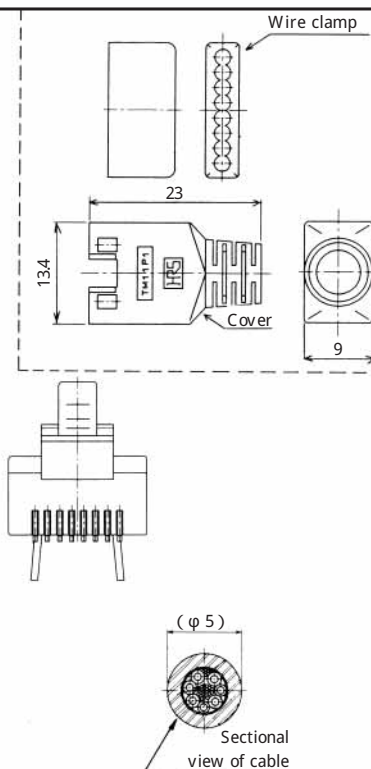
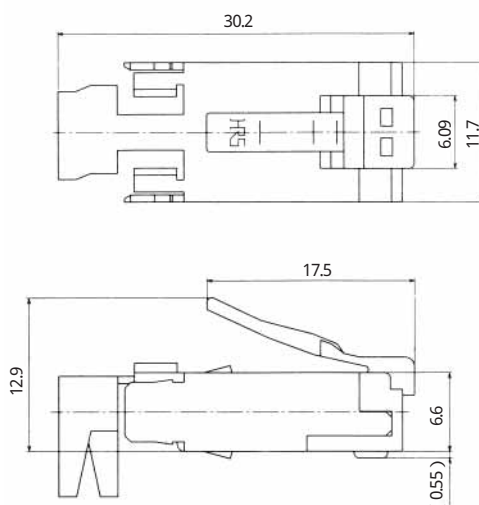
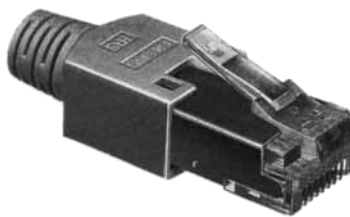
CL No.	Part No.	Cover color	RoHS
222-2780-6	TM11AP-88	Beige	YES
222-2780-6-02	TM11AP-88P( 02 )	Medium gray	
222-2780-6-03	TM11AP-88P( 03 )	Black	
222-2780-6-04	TM11AP-88P( 04 )	Natural light gray	

Note: This plug is NOT intended to be used for gang-jack.

( Number of plugs in package:100 )

## Eight-conductor thin straight plug with cover (For gang-jack)

- TM11AP1-88P( \* \* )



CL No.	Part No.	Cover color	RoHS
222-2782-1	TM11AP1-88P	Light beige	YES
222-2782-1-02	TM11AP1-88P( 02 )	Medium gray	
222-2782-1-03	TM11AP1-88P( 03 )	Black	
222-2782-1-04	TM11AP1-88P( 04 )	Natural light gray	
222-2782-1-05	TM11AP1-88P( 05 )	Red	
222-2782-1-06	TM11AP1-88P( 06 )	Green	
222-2782-1-07	TM11AP1-88P( 07 )	Blue	
222-2782-1-08	TM11AP1-88P( 08 )	Yellow	
222-2782-1-09	TM11AP1-88P( 09 )	Orange	

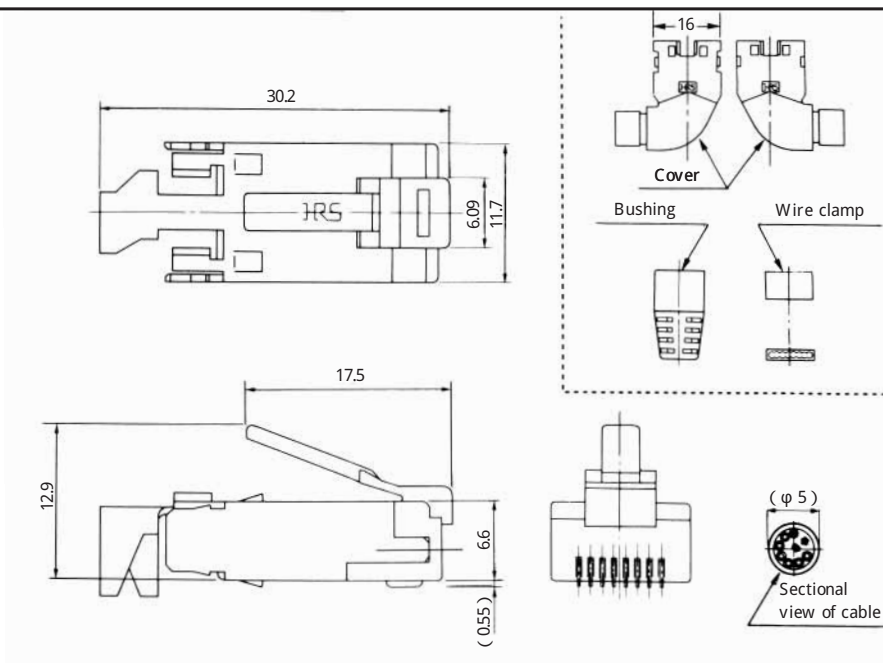
( Number of plugs in package:100 )

# MODULAR CONNECTORS

CL 222 TM

## L-shaped 8-conductor plug with cover

- TM11APA-88P( \* \* )



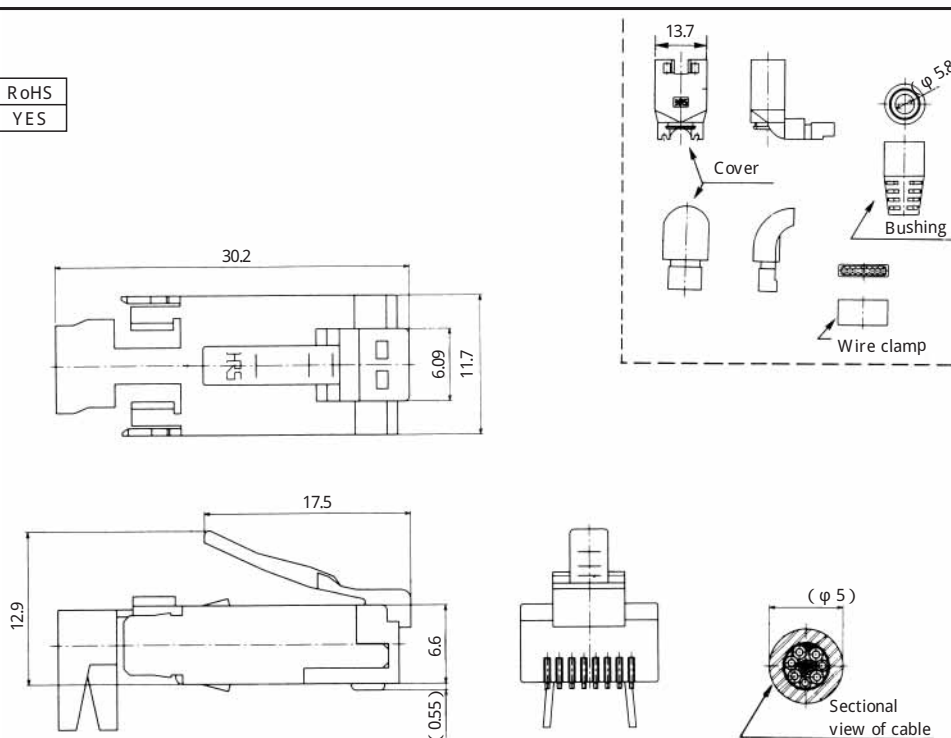
CL No.	Part No.	Cover Color	RoHS
222-2781-9	TM11APA-88P	Light beige	YES
222-2781-9-03	TM11APA-88P( 03 )	Black	

(Number of plugs in package:100)

## T-shaped 8-conductor plug with cover

- TM11APA1-88P( \* \* )

CL No.	Part No.	RoHS
222-2783-4	TM11APA1-88P	YES



Note:Cover standard color is light beige

(Number of plugs in package:100)

# MODULAR CONNECTORS

CL 222 TM

## • PLUG WIRING TOOL

Jig Plug	Cable Cramp Jig		Terminal Crimping Jig	
	CL No.	Product No.	CL No.	Product No.
TM11P <sup>r</sup> J-66P		TM11P66P cable crimping	901-0938-4	Applicator 105TM11P-66P
	902-0132-8	Hand press HOS-7	901-0005-4	Model 105 crimping tool
TM11P <sup>r</sup> J-88P	902-0077-1	TM11P88P cable crimping jig	901-0221-0	Applicator 105TM11P-88P
	902-0132-8	Hand press HOS-7	901-0005-4	Model 105 crimping tool

## • PLUG ASSEMBLY DRAWING

