



Chipsmall Limited consists of a professional team with an average of over 10 year of expertise in the distribution of electronic components. Based in Hongkong, we have already established firm and mutual-benefit business relationships with customers from,Europe,America and south Asia,supplying obsolete and hard-to-find components to meet their specific needs.

With the principle of “Quality Parts,Customers Priority,Honest Operation,and Considerate Service”,our business mainly focus on the distribution of electronic components. Line cards we deal with include Microchip,ALPS,ROHM,Xilinx,Pulse,ON,Everlight and Freescale. Main products comprise IC,Modules,Potentiometer,IC Socket,Relay,Connector.Our parts cover such applications as commercial,industrial, and automotives areas.

We are looking forward to setting up business relationship with you and hope to provide you with the best service and solution. Let us make a better world for our industry!



Contact us

Tel: +86-755-8981 8866 Fax: +86-755-8427 6832

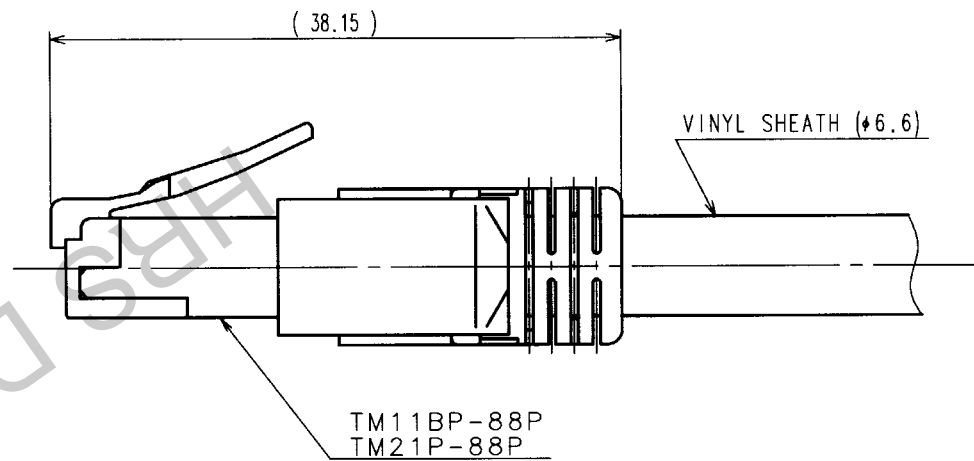
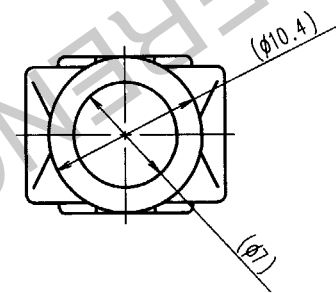
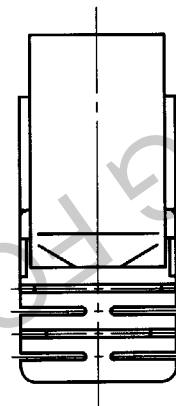
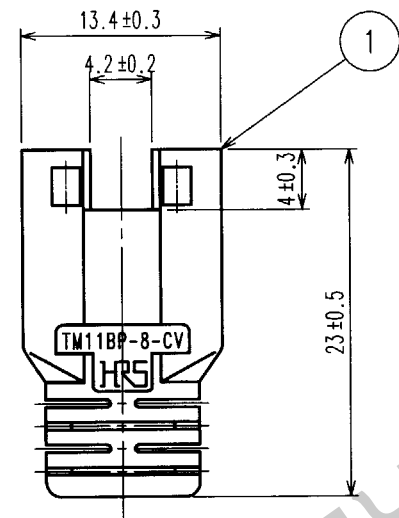
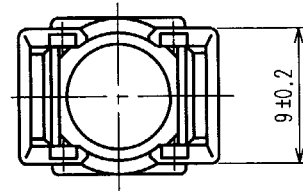
Email & Skype: info@chipsmall.com Web: www.chipsmall.com

Address: A1208, Overseas Decoration Building, #122 Zhenhua RD., Futian, Shenzhen, China



COUNT	DESCRIPTION OF REVISIONS	BY	CHKD	DATE	COUNT	DESCRIPTION OF REVISIONS	BY	CHKD	DATE
△				..	△				..
△				..	△				..
△				..	△				..

ASSEMBLED



NOTES: 1. () INDICATES THE REFERENCE DIMENSIONS.
 2. COLOR NO.S ARE SHOWN IN TABLE-1.
 3. PER BAG: 50 PIECES.

TABLE-1

PART NO.	HRS NO.	COLOR
TM11BP-8-CV (11)	CL222-2898-6-11	LIGHT BEIGE
TM11BP-8-CV (12)	CL222-2898-6-12	MEDIUM GRAY
TM11BP-8-CV (13)	CL222-2898-6-13	BLACK
TM11BP-8-CV (14)	CL222-2898-6-14	NATURAL LIGHT GRAY
TM11BP-8-CV (15)	CL222-2898-6-15	RED
TM11BP-8-CV (16)	CL222-2898-6-16	GREEN
TM11BP-8-CV (17)	CL222-2898-6-17	BLUE
TM11BP-8-CV (18)	CL222-2898-6-18	YELLOW
TM11BP-8-CV (19)	CL222-2898-6-19	ORANGE

TO
Q2

1	POLYPROPYLENE	2			
NO.	MATERIAL	FINISH, REMARKS	NO.	MATERIAL	FINISH, REMARKS
CODE NO. (OLD)		DRAWN	DESIGNED	CHECKED	APPROVED
		<i>S. Sato</i>	<i>S. Sato</i>	<i>T. Watanabe</i>	<i>H. Miura</i>
		'00-10-06	'00-10-06	'00-10-06	00.10.06
DRAWING NO.		PART NO.			
EDC3-122818-01		TM11BP-8-CV(1※)			
SCALE		CODE NO.			
2 : 1		CL222-2898-6-1※			
UNITS		HIROSE ELECTRIC CO., LTD			
mm					

