



Chipsmall Limited consists of a professional team with an average of over 10 year of expertise in the distribution of electronic components. Based in Hongkong, we have already established firm and mutual-benefit business relationships with customers from,Europe,America and south Asia,supplying obsolete and hard-to-find components to meet their specific needs.

With the principle of "Quality Parts,Customers Priority,Honest Operation,and Considerate Service",our business mainly focus on the distribution of electronic components. Line cards we deal with include Microchip,ALPS,ROHM,Xilinx,Pulse,ON,Everlight and Freescale. Main products comprise IC,Modules,Potentiometer,IC Socket,Relay,Connector.Our parts cover such applications as commercial,industrial, and automotives areas.

We are looking forward to setting up business relationship with you and hope to provide you with the best service and solution. Let us make a better world for our industry!



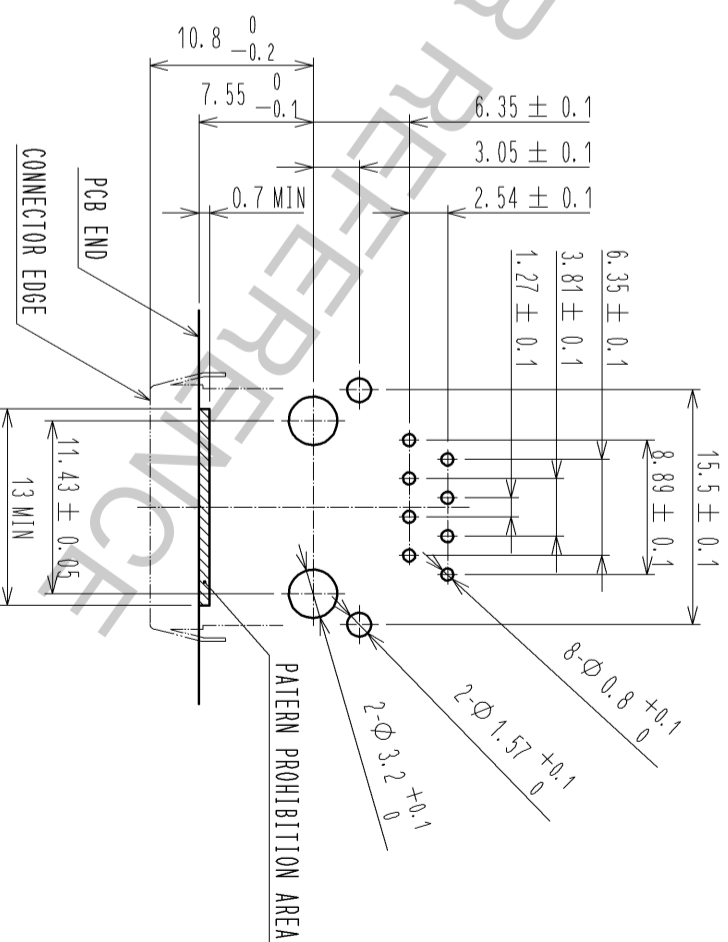
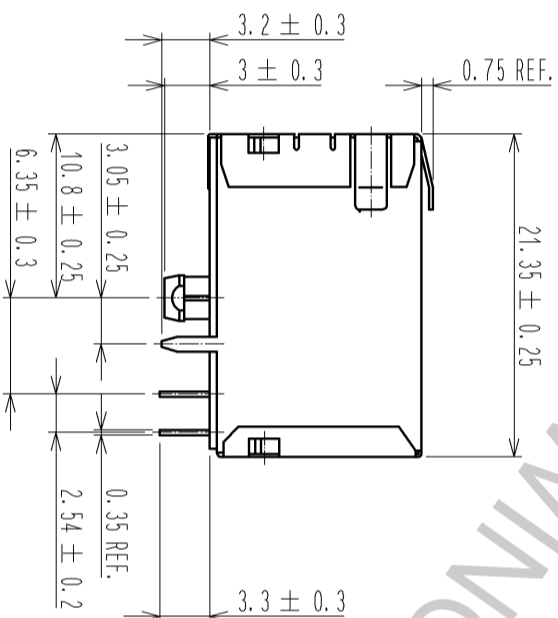
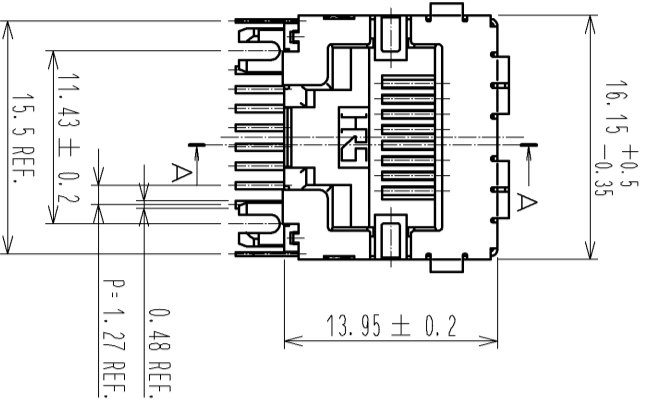
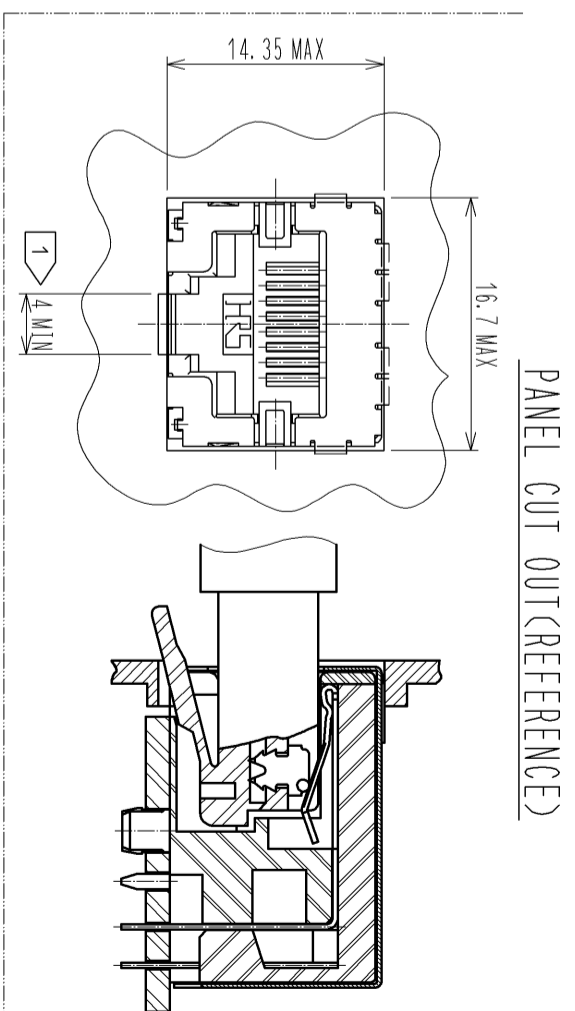
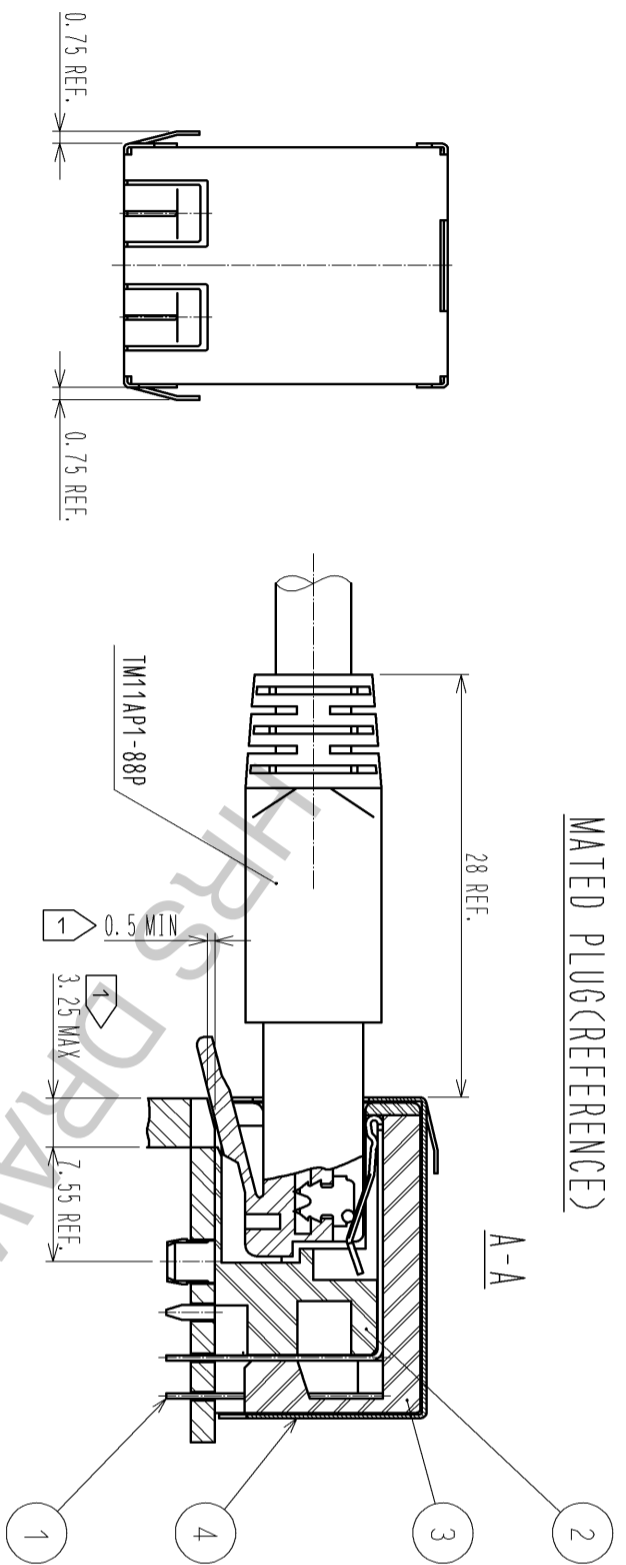
## Contact us

Tel: +86-755-8981 8866 Fax: +86-755-8427 6832

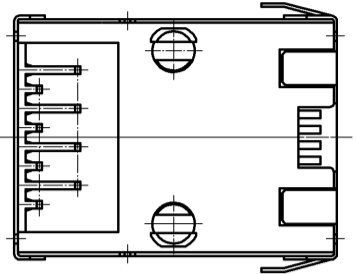
Email & Skype: info@chipsmall.com Web: www.chipsmall.com

Address: A1208, Overseas Decoration Building, #122 Zhenhua RD., Futian, Shenzhen, China





NOTE 1 NOTCH IN ACCORDANCE WITH THE DIMENSION FOR PLUG LOCK LEVER SPACE WHEN MANUFACTURING PANEL.



NO.	UNITS	MATERIAL	FINISH	REMARKS	NO.	MATERIAL	FINISH	REMARKS
1	mm	PHOSPHOR BRONZE			4	BRASS		
		CONTACT : GOLD PLATING 1.27µm MIN						
		LEAD : TIN REFLOW PLATING 14µm MIN			3	PBT		TIN REFLOW PLATING 14µm MIN
		UNDER : NICKEL PLATING 14µm MIN			2	PBT		BLACK · UL94V-0

UNITS	SCALE	COUNT	DESCRIPTION OF REVISIONS	DESIGNED	CHECKED	DATE
mm	2:1					

APPROVED : R.I. TAKAYASU	11.05.31	DRAWING NO.	EDC3-121543-01
CHECKED : YH. ENAMI	11.05.31	PART NO.	TM11R-5N2-88(50)
DESIGNED : MT. ITANO	11.05.31	CODE NO.	CL222-3952-5-50
DRAWN : MT. ITANO	11.05.31		