



Chipsmall Limited consists of a professional team with an average of over 10 year of expertise in the distribution of electronic components. Based in Hongkong, we have already established firm and mutual-benefit business relationships with customers from,Europe,America and south Asia,supplying obsolete and hard-to-find components to meet their specific needs.

With the principle of “Quality Parts,Customers Priority,Honest Operation,and Considerate Service”,our business mainly focus on the distribution of electronic components. Line cards we deal with include Microchip,ALPS,ROHM,Xilinx,Pulse,ON,Everlight and Freescale. Main products comprise IC,Modules,Potentiometer,IC Socket,Relay,Connector.Our parts cover such applications as commercial,industrial, and automotives areas.

We are looking forward to setting up business relationship with you and hope to provide you with the best service and solution. Let us make a better world for our industry!



## Contact us

Tel: +86-755-8981 8866 Fax: +86-755-8427 6832

Email & Skype: info@chipsmall.com Web: www.chipsmall.com

Address: A1208, Overseas Decoration Building, #122 Zhenhua RD., Futian, Shenzhen, China



# MODULAR CONNECTORS

CL 222 TM

## ■ D-SUB MODULAR CONVERSION CONNECTOR

This is a conversion connector for use between an RS-232C interface (D-Sub 25 conductors) used for personal computer communications and modular connectors. The D-Sub and modular connectors used for the newly developed conversion connector have already been proven in many applications, winning confidence from our customers. The D-Sub mating parts feature a compact design with a screw lock system for use with computer related equipment.

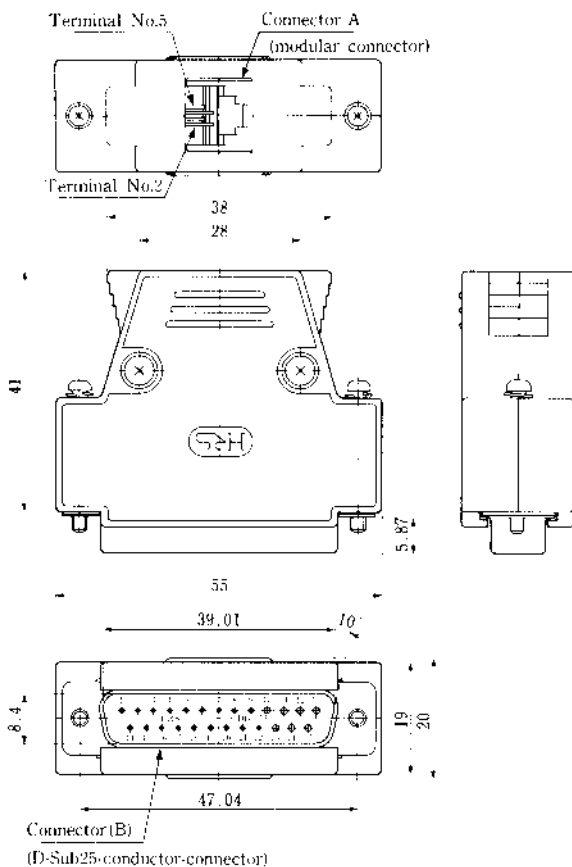
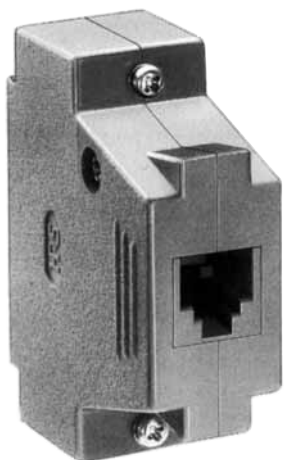
### ● Material/Finish

Item		Material	Finish
Modular Connector	Insulator	ABS	Grey
Connector	Terminal	Phosphor bronze	Gold-plated
D-Sub Connector	Shell	Mild steel	Zinc-plated and treated with dichromate
Connector	Terminal	Phosphor bronze	Gold-plated

### ● Electrical specifications

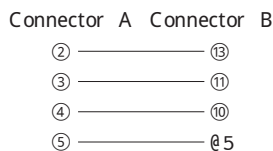
Item	Condition	Standard
Current rating	Per pin	500mA
Voltage rating	Per pin	125V AC
Insulation Resistance	100V DC	100 MΩ Min.
Withstanding Voltage	standard voltage for 1 minute	500V r.m.s AC

### ● TM12RV-6※ - ※

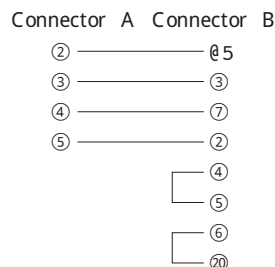


CL No.	Part No.	RoHS
222-3032-7-50	TM12RV-64-A( 50 )	YES
222-3347-8-50	TM12RV-64-C( 50 )	
222-3396-3-50	TM12RV-64-D( 50 )	
222-3283-7-50	TM12RV-66-D( 50 )	

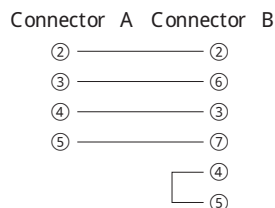
#### TM12RV-64-A( 50 )



#### TM12RV-64-C( 50 )



#### TM12RV-64-D( 50 )



#### TM12RV-66-D( 50 )

