



Chipsmall Limited consists of a professional team with an average of over 10 year of expertise in the distribution of electronic components. Based in Hongkong, we have already established firm and mutual-benefit business relationships with customers from,Europe,America and south Asia,supplying obsolete and hard-to-find components to meet their specific needs.

With the principle of “Quality Parts,Customers Priority,Honest Operation,and Considerate Service”,our business mainly focus on the distribution of electronic components. Line cards we deal with include Microchip,ALPS,ROHM,Xilinx,Pulse,ON,Everlight and Freescale. Main products comprise IC,Modules,Potentiometer,IC Socket,Relay,Connector.Our parts cover such applications as commercial,industrial, and automotives areas.

We are looking forward to setting up business relationship with you and hope to provide you with the best service and solution. Let us make a better world for our industry!



## Contact us

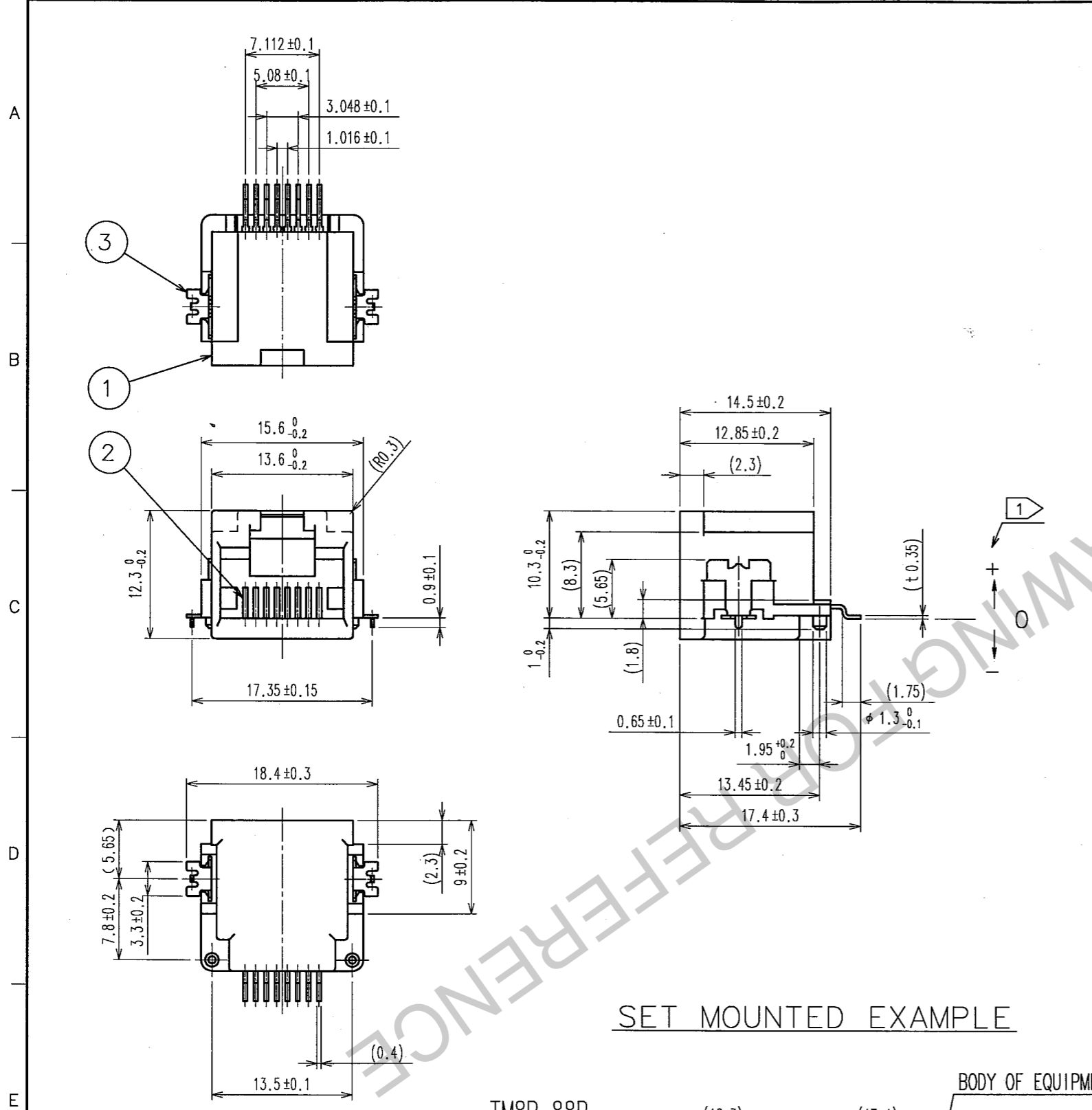
Tel: +86-755-8981 8866 Fax: +86-755-8427 6832

Email & Skype: info@chipsmall.com Web: www.chipsmall.com

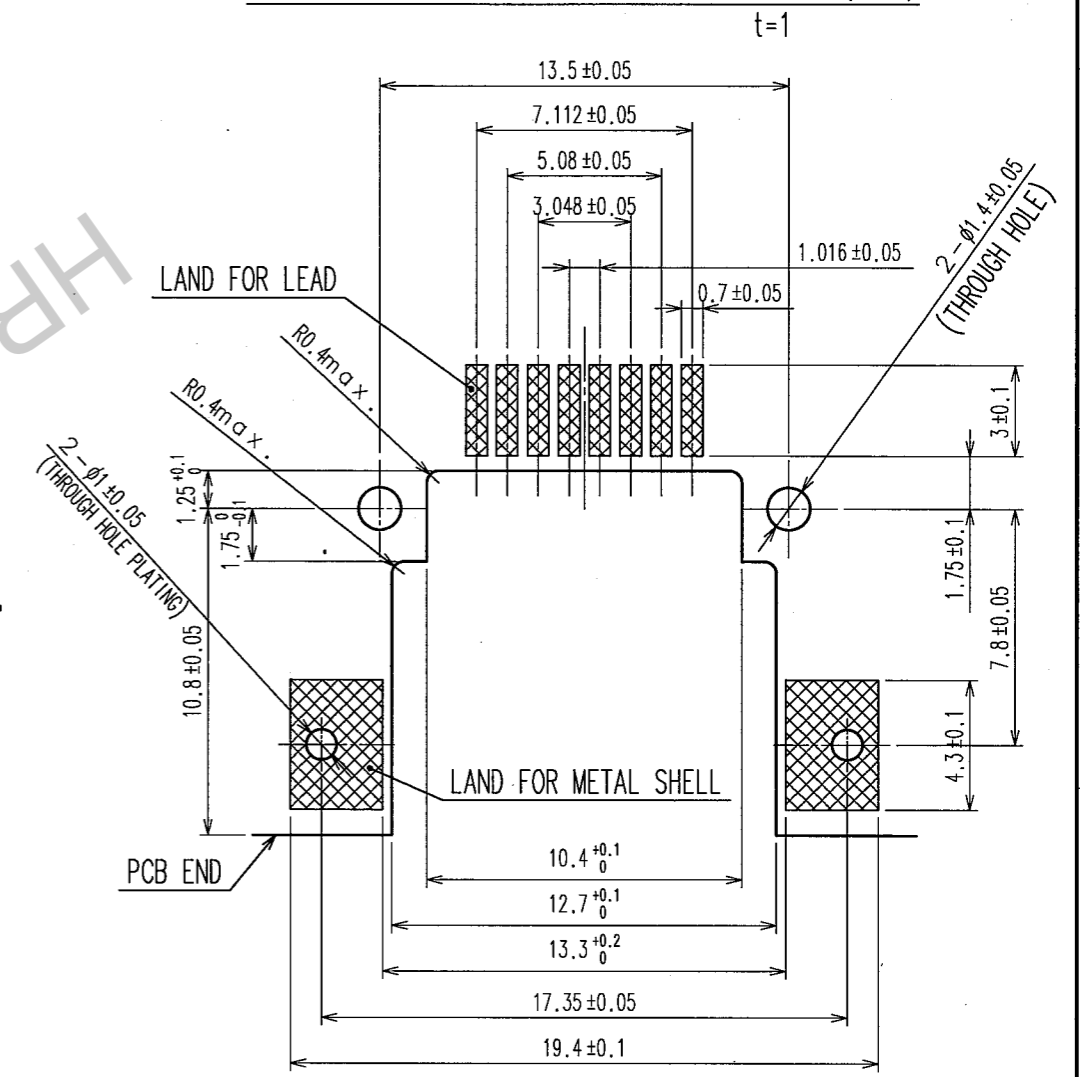
Address: A1208, Overseas Decoration Building, #122 Zhenhua RD., Futian, Shenzhen, China



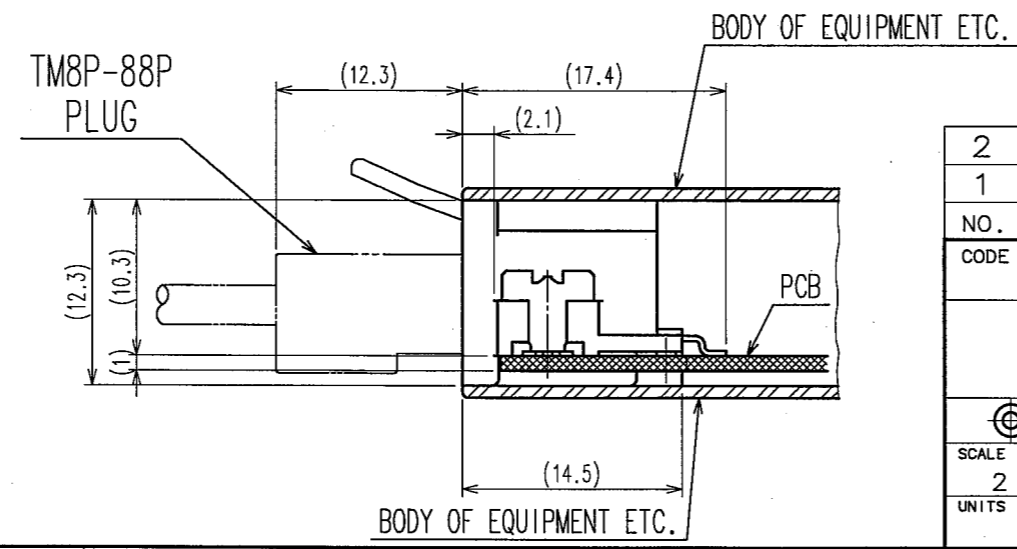
COUNT	DESCRIPTION OF REVISIONS	BY	CHKD	DATE	COUNT	DESCRIPTION OF REVISIONS	BY	CHKD	DATE
△				..	△				..
△				..	△				..
△				..	△				..



RECOMMENDED PCB PATTERN, MOUNTING SIDE (4:1)



SET MOUNTED EXAMPLE



NOTE 1 THE CO-PLANARITY OF LEADS AND METAL SHELLS SHALL BE  $0^{+0.05}_{-0.1}$ .

TO
Q1

2	PHOSPHOR BRONZE	SELECTIVE GOLD PLATING 1.27μ m	3	COPPER ALLOY	TIN PLATING 1μ m
1	PPS	(BLACK) UL94V-0			
NO.	MATERIAL	FINISH, REMARKS	NO.	MATERIAL	FINISH, REMARKS
CODE NO. (OLD)			DRAWN	DESIGNED	CHECKED
			M. Itano	F. Toriguchi	Y. Enami
			06.1.17	06.1.17	06.1.17
			APPROVED	RELEASED	
			(Mitsuda)		
			06.01.17		
DRAWING NO.			PART NO.		
EDC3-122138-01			TM18R-TO-88(50)		
SCALE			CODE NO.		
2 : 1			CL222-2883-9-50		
UNITS			1/1		
mm			FORM NO. 2-201		