



Chipsmall Limited consists of a professional team with an average of over 10 year of expertise in the distribution of electronic components. Based in Hongkong, we have already established firm and mutual-benefit business relationships with customers from,Europe,America and south Asia,supplying obsolete and hard-to-find components to meet their specific needs.

With the principle of “Quality Parts,Customers Priority,Honest Operation,and Considerate Service”,our business mainly focus on the distribution of electronic components. Line cards we deal with include Microchip,ALPS,ROHM,Xilinx,Pulse,ON,Everlight and Freescale. Main products comprise IC,Modules,Potentiometer,IC Socket,Relay,Connector.Our parts cover such applications as commercial,industrial, and automotives areas.

We are looking forward to setting up business relationship with you and hope to provide you with the best service and solution. Let us make a better world for our industry!



## Contact us

Tel: +86-755-8981 8866 Fax: +86-755-8427 6832

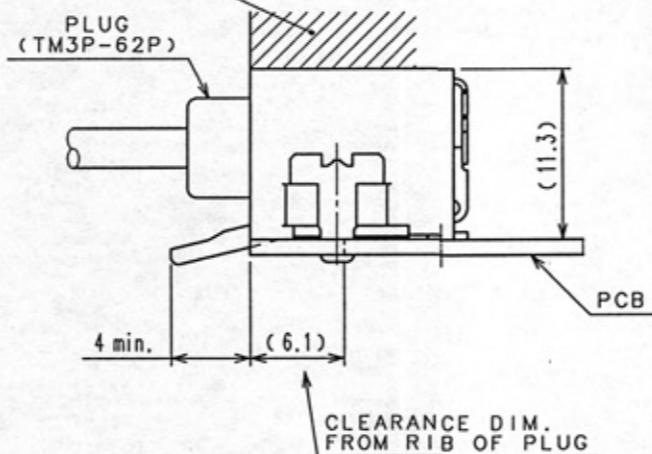
Email & Skype: info@chipsmall.com Web: www.chipsmall.com

Address: A1208, Overseas Decoration Building, #122 Zhenhua RD., Futian, Shenzhen, China

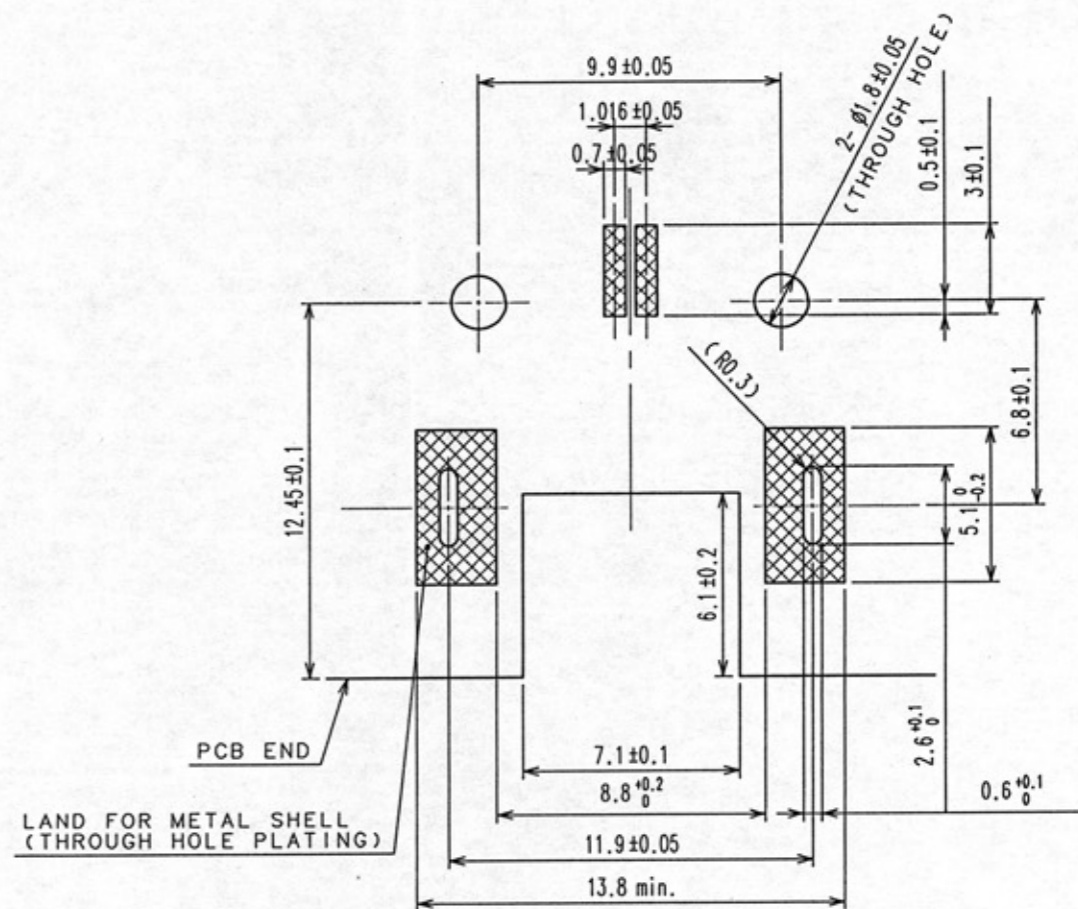


COUNT	DESCRIPTION OF REVISIONS	BY	CHKD	DATE	COUNT	DESCRIPTION OF REVISIONS	BY	CHKD	DATE

HOLD WITH SET FRAME PLUG MATED



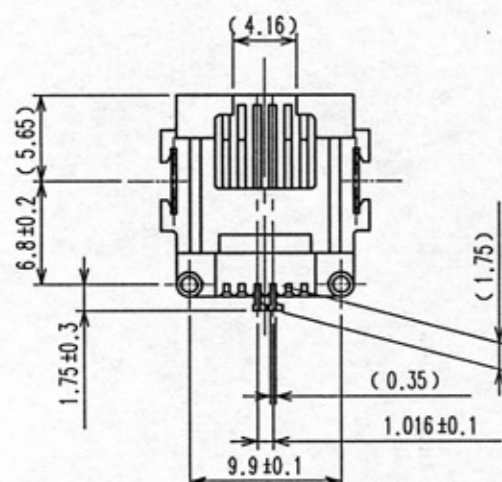
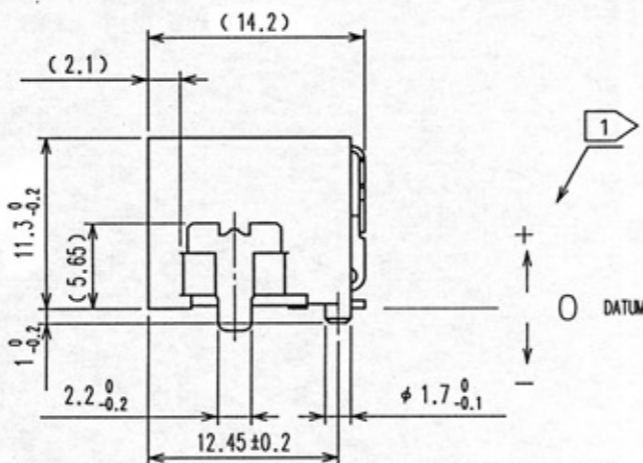
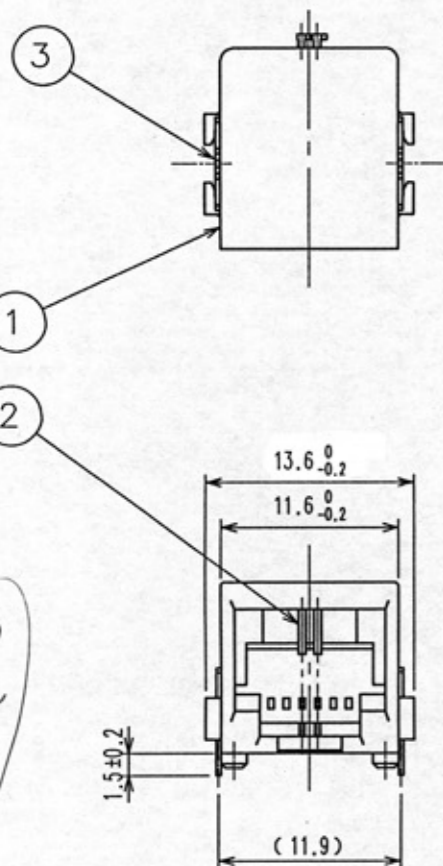
RECOMMENDED PCB PATTERN, MOUNTING SIDE (4:1)  
t=1



DRAWING FOR REFERENCE  
This is subject to change without notice

NOTE 1 THE CO-PLANARITY OF LEADS SHALL BE 0.05°.

2	PHOSPHOR BRONZE	CONTACT AREA: GOLD PLATING 1.27µm SOLDERING AREA: TIN-LEAD PLATING 3µm			
1	PA	BLACK UL94V-0	3	COPPER ALLOY	TIN-LEAD PLATING
NO.	MATERIAL	FINISH, REMARKS	NO.	MATERIAL	FINISH, REMARKS
CODE NO. (OLD)	CL		DRAWN	DESIGNED	CHECKED
			T. Kameya	T. Kameya	T. Watanabe
			02-3-8	02-3-8	02-3-11
					H. Miwa
					02-03-11
					ENG 02.3.11 DEPF
SCALE	2 : 1	DRAWING NO.	PART NO.		
UNITS	mm	EDC3-121547	TM18RA-FT-62		
		HRS HIROSE ELECTRIC CO., LTD	CODE NO.	CL222-2864-4	
				1/1	



*this one*