



Chipsmall Limited consists of a professional team with an average of over 10 year of expertise in the distribution of electronic components. Based in Hongkong, we have already established firm and mutual-benefit business relationships with customers from,Europe,America and south Asia,supplying obsolete and hard-to-find components to meet their specific needs.

With the principle of “Quality Parts,Customers Priority,Honest Operation,and Considerate Service”,our business mainly focus on the distribution of electronic components. Line cards we deal with include Microchip,ALPS,ROHM,Xilinx,Pulse,ON,Everlight and Freescale. Main products comprise IC,Modules,Potentiometer,IC Socket,Relay,Connector.Our parts cover such applications as commercial,industrial, and automotives areas.

We are looking forward to setting up business relationship with you and hope to provide you with the best service and solution. Let us make a better world for our industry!



## Contact us

Tel: +86-755-8981 8866 Fax: +86-755-8427 6832

Email & Skype: info@chipsmall.com Web: www.chipsmall.com

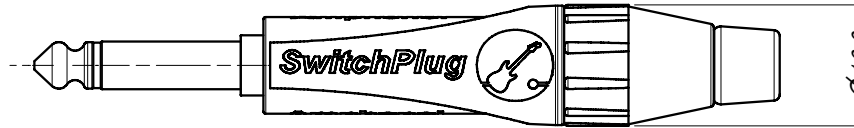
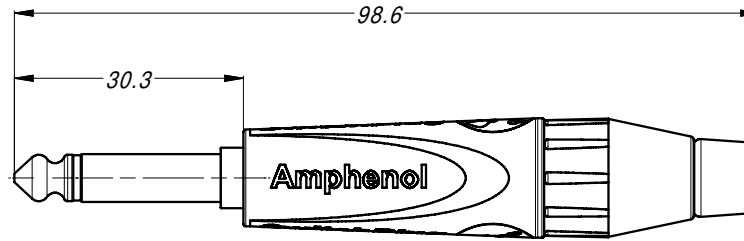
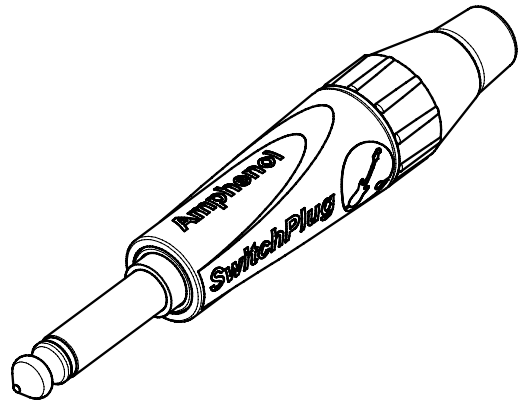
Address: A1208, Overseas Decoration Building, #122 Zhenhua RD., Futian, Shenzhen, China



LEGEND  = KEY PRODUCT CHARACTERISTICS

REVISION HISTORY

REV	DESCRIPTION	BY	DATE	ECN
0	FIRST ISSUE	T.N	26/11/10	8968



PART NUMBER BREAKDOWN

**TM1P B J - AU BULK**

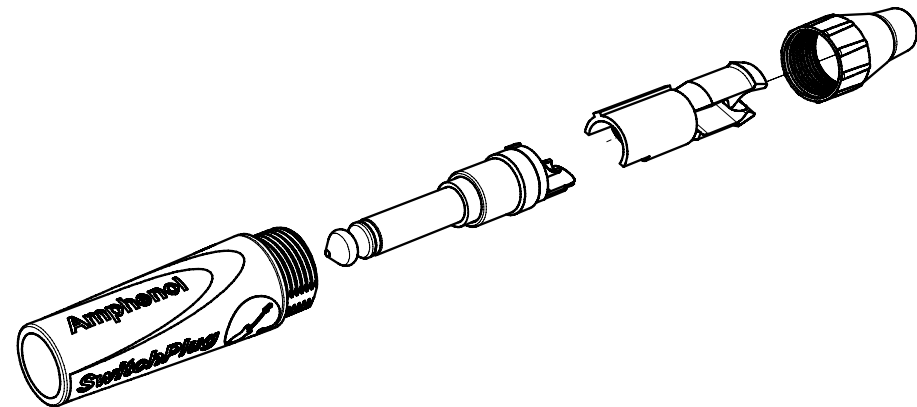
SERIES DESIGNATION

SHELL FINISH  
BLANK: NICKEL  
B: BLACK

CABLE CLAMP  
BLANK: STANDARD  
J: LARGE

CONTACT FINISH  
BLANK: NICKEL  
AU: GOLD

PACKING:  
BLANK: SINGLE  
BULK: BULK PACK



UNLESS OTHERWISE SPECIFIED TOLERANCE TO BE	
LINEAR	ANGULAR
X ± 0.5	X' ± 1
X.X ± 0.1	X.X' ± 30'
X.XX ± 0.05	X.XX' ± 15'

BREAK ALL SHARP EDGES AND REMOVE ALL BURRS

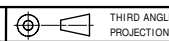
DO NOT SCALE

DIMENSIONS IN MILLIMETRES

THIS DOCUMENT IS THE PROPERTY OF AMPHENOL AUSTRALIA PTY. LTD.  
NO PART THEREOF MAY BE REPRODUCED AND USED WITHOUT THE PRIOR WRITTEN CONSENT OF THE OWNER

MATERIAL:  
**SEE COMPONENTS**

FINISH:



DRN: T.N DATE: 13/10/10

CKD: P.M DATE: 13/10/10

APP'D: P.M DATE: 13/10/10

SCALE: **1:1** SIZE: **A4**

**Amphenol** Amphenol Australia Pty.Ltd,  
2 Fiveways Blvd, Keysborough, VIC 3173

TITLE:  
**SWITCH PLUG STRAIGHT PRO RANGE**

CAD FILE: 55010716000110

PART No.  
**SEE P/ No BREAKDOWN**

DRAWING No. **55010716-000-2** SHEET **2/2**